

HV switchgear Accessories

VCB Accessories

www.liyond.com



Conductive accessories series / Insulation accessories series
switchgear accessories series / earthing switch series

CONTENTS

PART

Conductive accessories series



002-006

Tulip contact



007

Ball shape tulip contact



008-009

Flat contact



010

Longitudinal rotary contact



011-013

Fixed contact



014-017

Contact arm

PART

Insulation accessories series



018-022

Contact arm bushing



023-036

Contact box



036-038

Bending plate



039-056

Bushing



057-083

Insulator & Sensor

PART

Switchgear accessories series



084-091

Chasis truck



092-107

Switchgear accessories



98,106

Bevel gear



108-109

Feed mechanism



114

Cabinet lighting lamp



116-118

FK10 Auxiliary switch



119

Latching electromagnet



120-135

Live display device



136

Phase comparator



139-144

Indoor electromagnetic lock

Circuit breaker accessories series



145-146
Secondary plug socket



163
Five digits counter



154-155
Spring operation mechanism



164-165
Circuit board



156
Buffer



167
Circuit breaker panel



157-162
Insulated operating rod



168
Wire harness machining

PART



Earthing switch series



161-166
12kv Earthing switch



174-175
24kv Earthing switch



167
50kA Earthing switch



176-179
40.5kv Earthing switch



168-173
12/24kv Earthing switch (motorized type)

PART



Auxiliary switch series



180-183
F10 Auxiliary switch



188-190
Micro switch



184-186
Magnetic switch

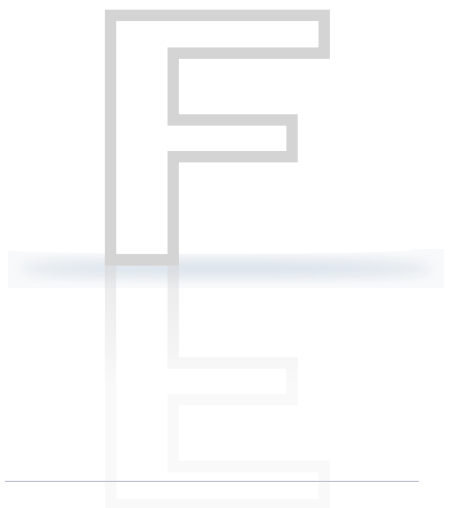


191-193
Waterproof micro switch



187
Limited switch

PART



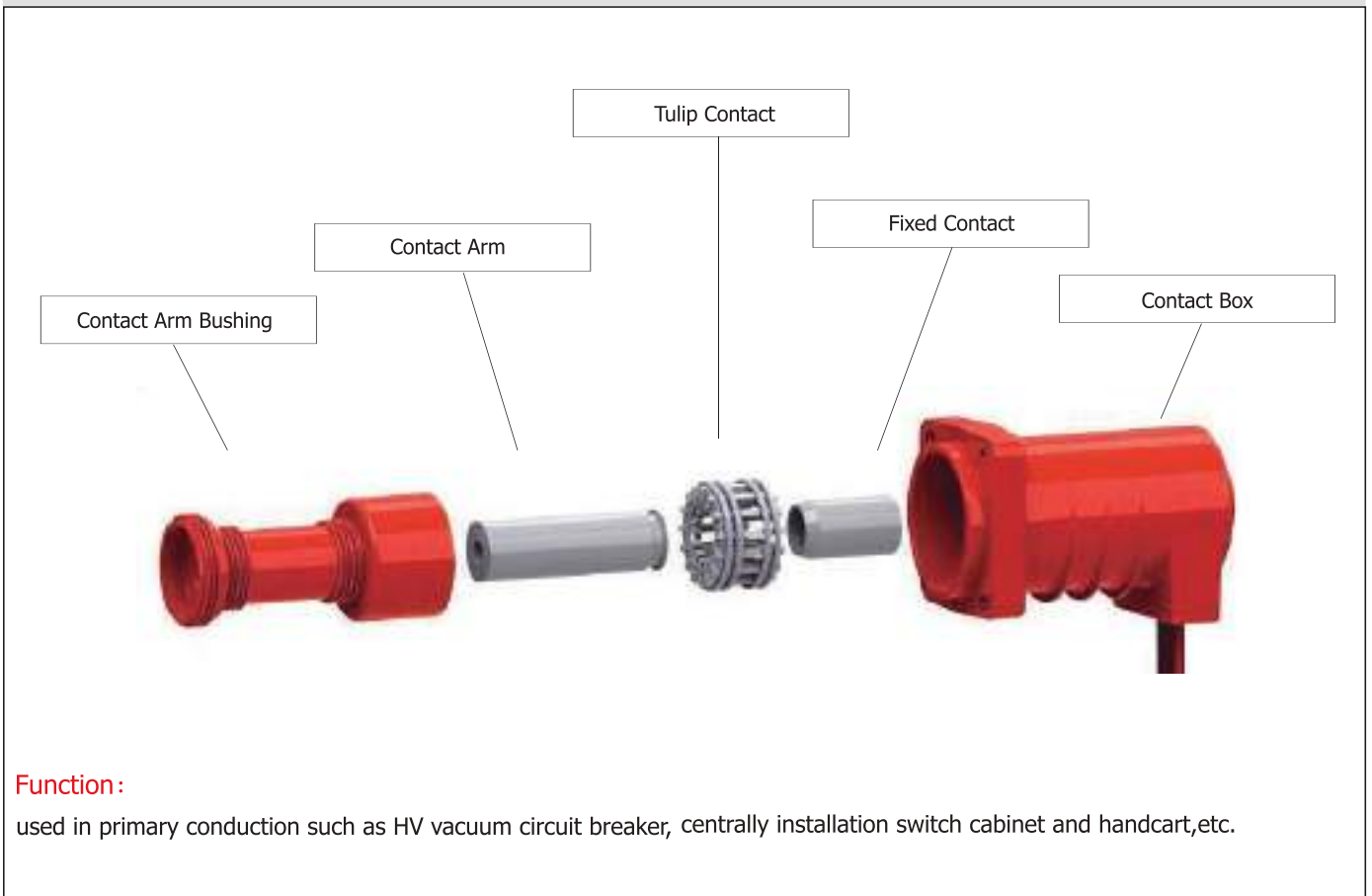
SHOW PRODUCT

Conductive accessories series

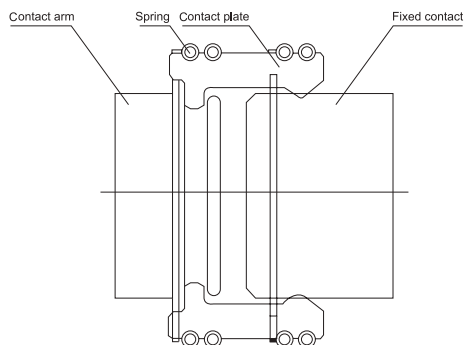


CONDUCTIVE ACCESSORIES SERIES

Installation Drawing :



Contact Installation Diagram

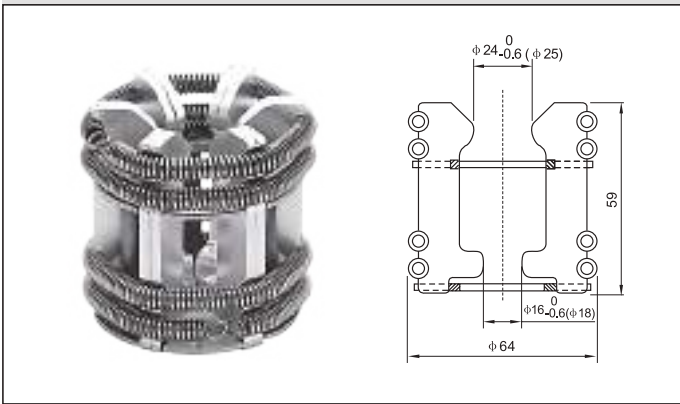


Structural Features

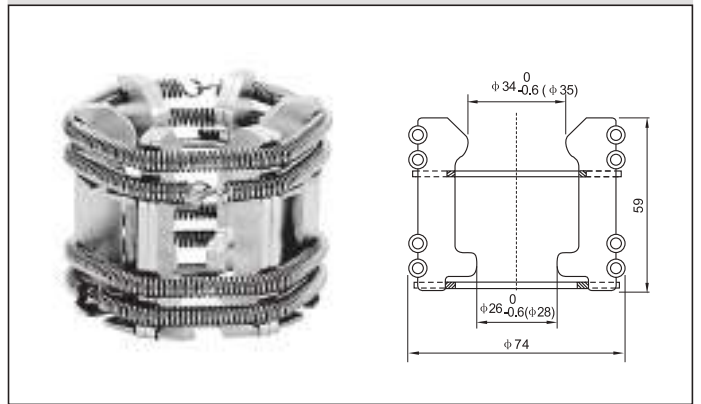
- Annular spring with uniform pressure
- Adopt imported non-magnetic stainless steel, avoid eddy current
- Thick silver coating, strong abrasion strength
- Anti-tarnishing processing, avoid silver coating oxidation off
- Fixed contact insertion depth for reference: $34 \pm 2\text{mm}$

TULIP CONTACT SERIES

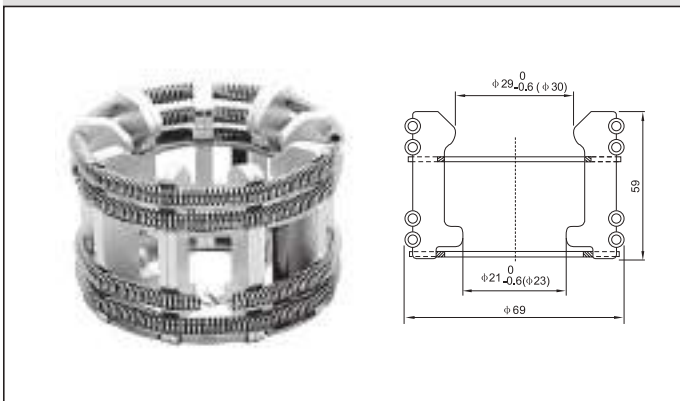
Model No.: LYA119 GC5-630A Tulip contact with 12 sheets



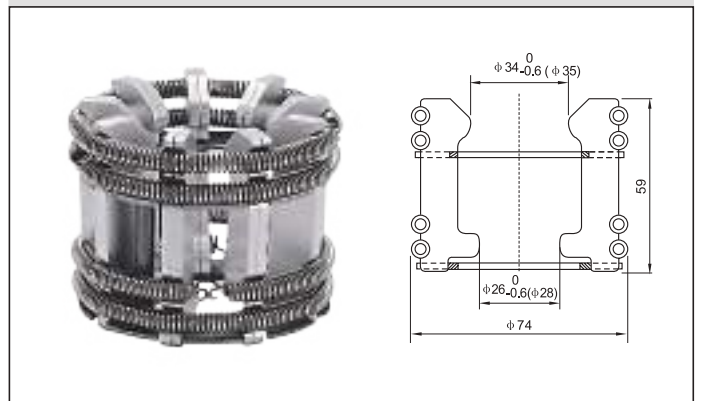
Model No.: LYA103 GC5-630/1000A Tulip contact with 12 sheets



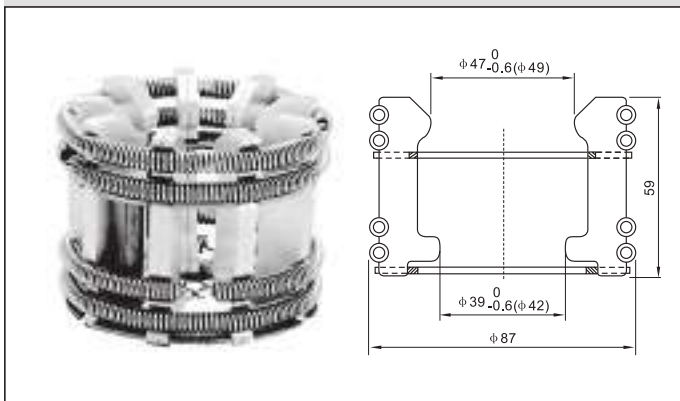
Model No.: LYA120 GC5-630/800A Tulip contact with 18 sheets



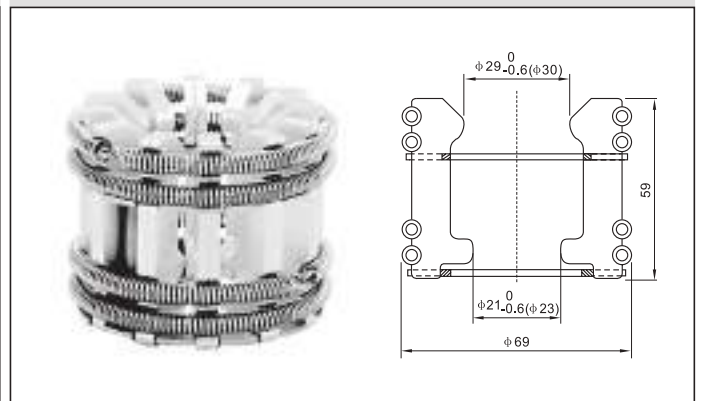
Model No.: LYA104 GC5-630/1000A Tulip contact with 18 sheets



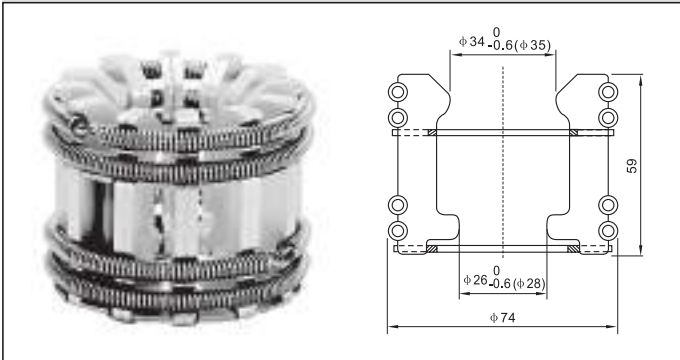
Model No.: LYA105 GC5-630/1000A Tulip contact with 18 sheets



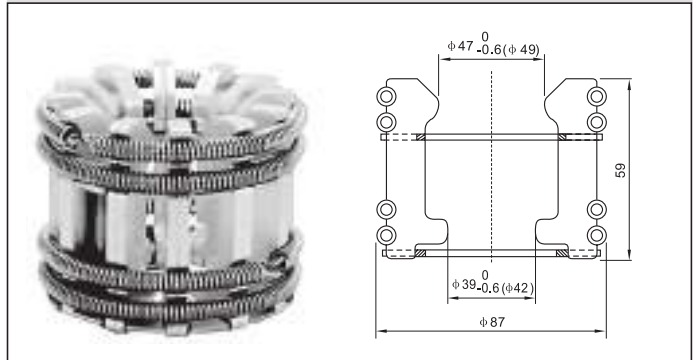
Model No.: LYA121 GC5-1000A Tulip contact with 24 sheets



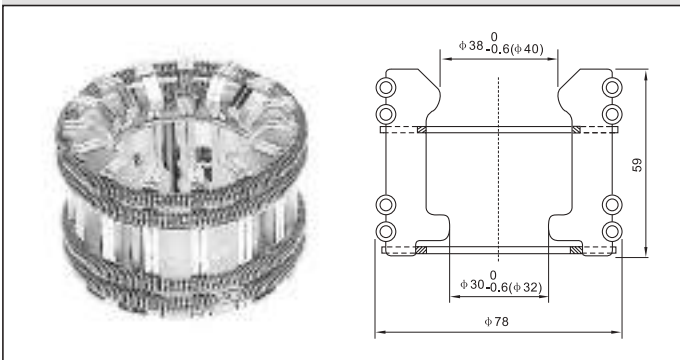
Model No.: LYA106 GC5-630/1250A Tulip contact with 24 sheets



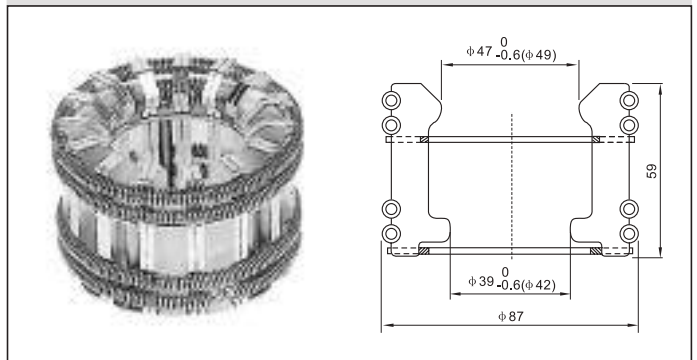
Model No.: LYA127 GC5-630/1250A Tulip contact with 24 sheets



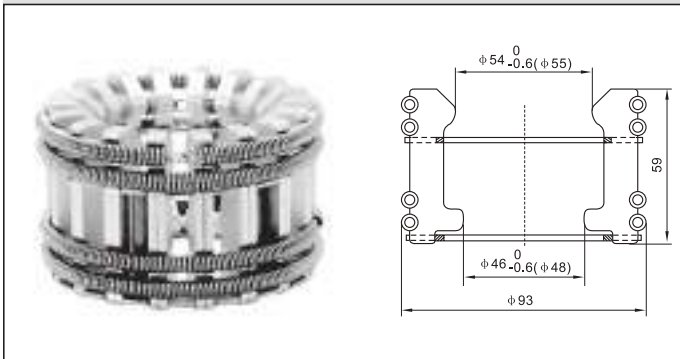
Model No.: LYA107 GC5-1250A Tulip contact with 30 sheets



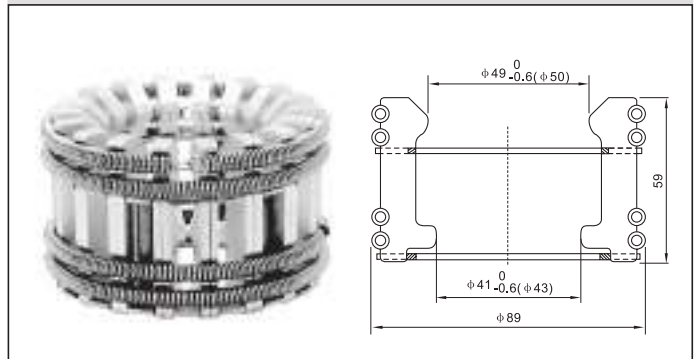
Model No.: LYA108 GC5-1250A Tulip contact with 30 sheets



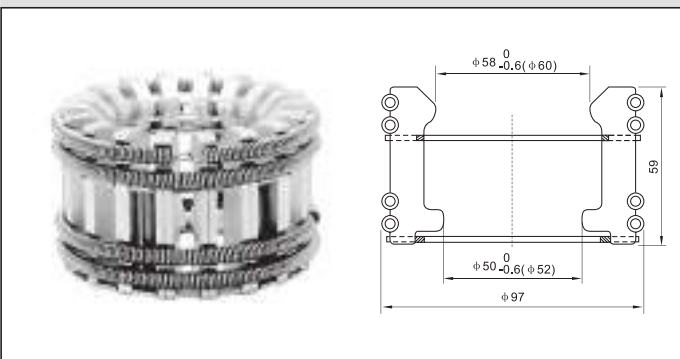
Model No.: LYA109 GC5-1600A Tulip contact with 36 sheets



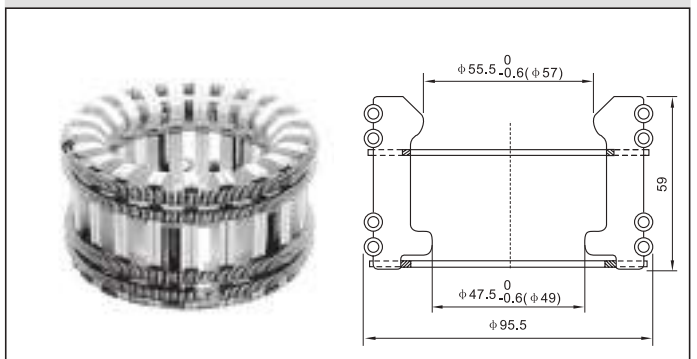
Model No.: LYA123 GC5-1600A Tulip contact with 40 sheets

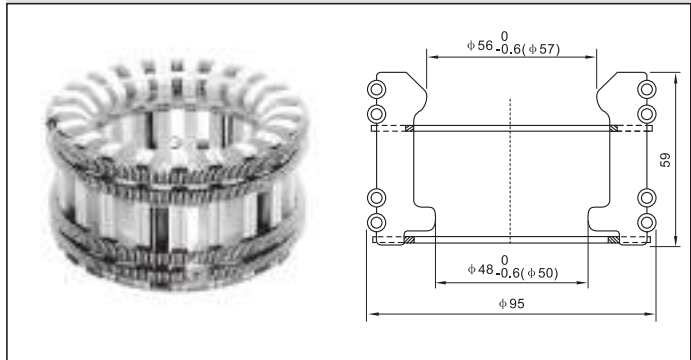
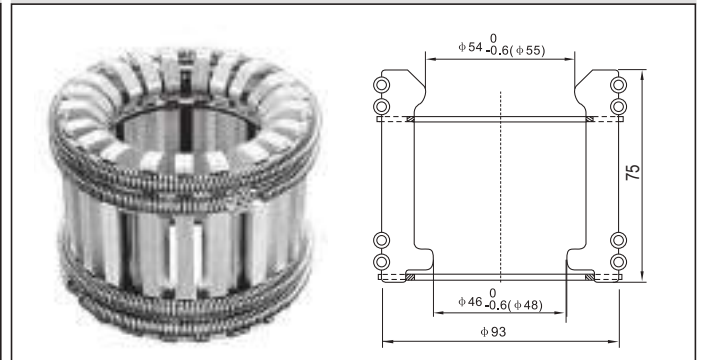
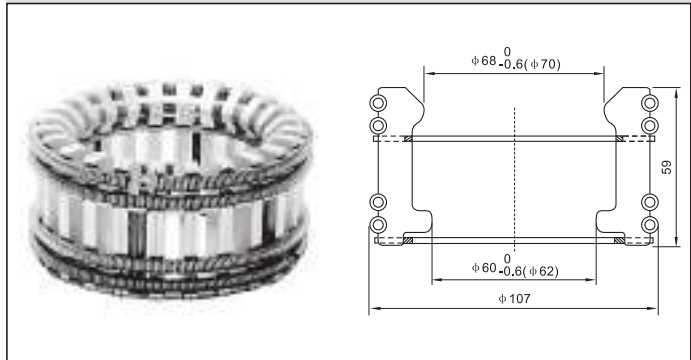
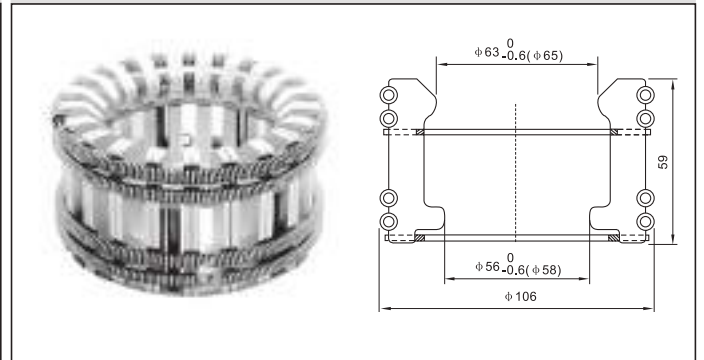
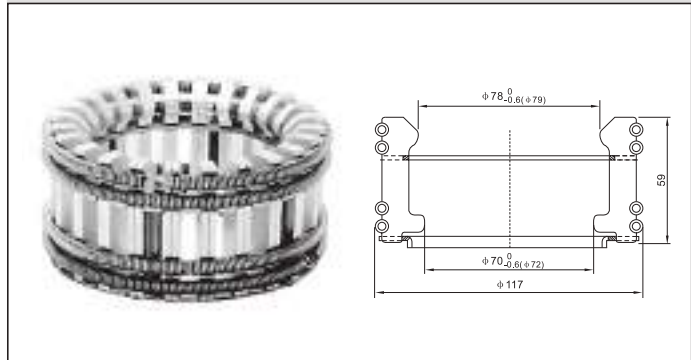
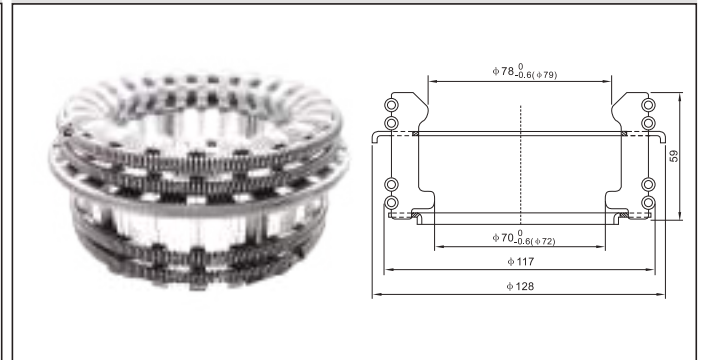
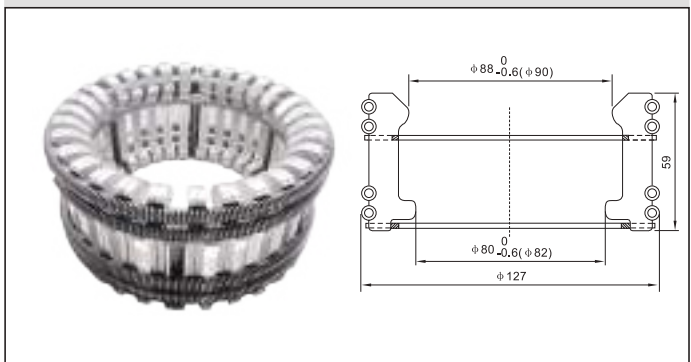
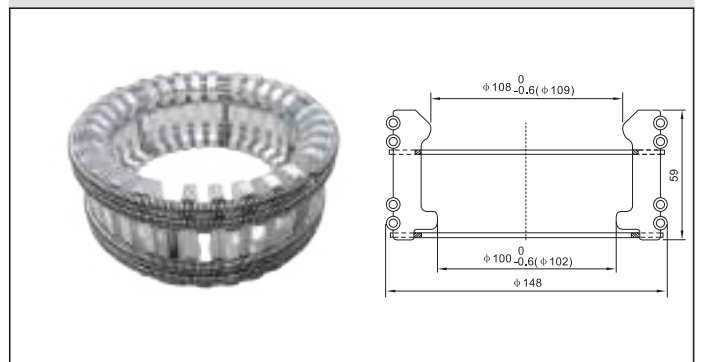


Model No.: LYA110 GC5-1600A Tulip contact with 40 sheets

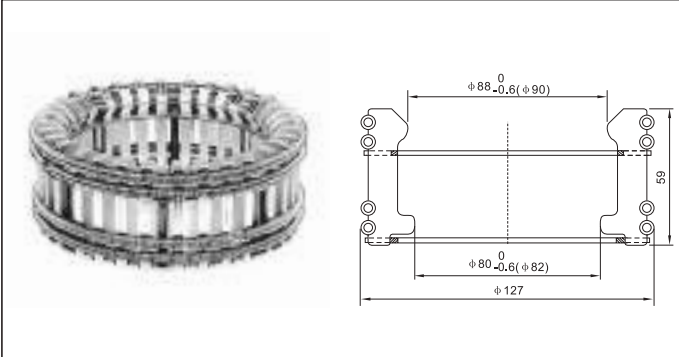


Model No.: LYA122 GC5-2000A Tulip contact with 40 sheets

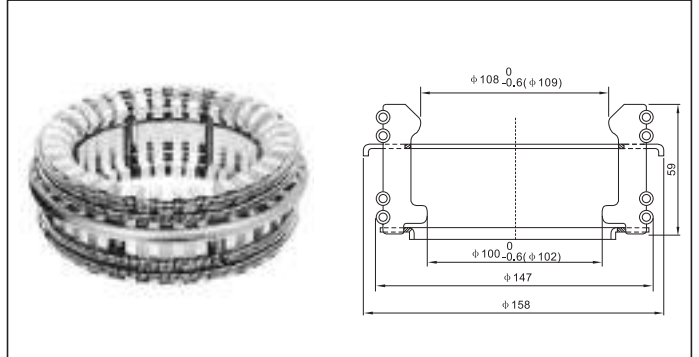


<p>Model No.: LYA111 GC5-2000A Tulip contact with 42 sheets</p> 	<p>Model No.: LYA124 GC5-2000A Tulip contact with 42 sheets</p> 
<p>Model No.: LYA112 GC5-2000A Tulip contact with 48 sheets</p> 	<p>Model No.: LYA125 GC5-2000A Tulip contact with 42 sheets</p> 
<p>Model No.: LYA113 GC5-2000A Tulip contact with 48 sheets</p> 	<p>Model No.: LYA128 GC5-2000A Tulip contact with 48 sheets</p> 
<p>Model No.: LYA114 GC5-2500A Tulip contact with 60 sheets</p> 	<p>Model No.: LYA126 GC5-2500/3150A Tulip contact with 60 sheets</p> 

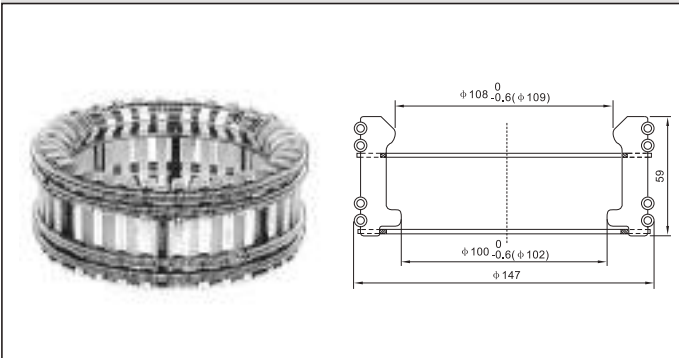
Model No.: LYA115 GC5-2500/3150A Tulip contact with 64 sheets



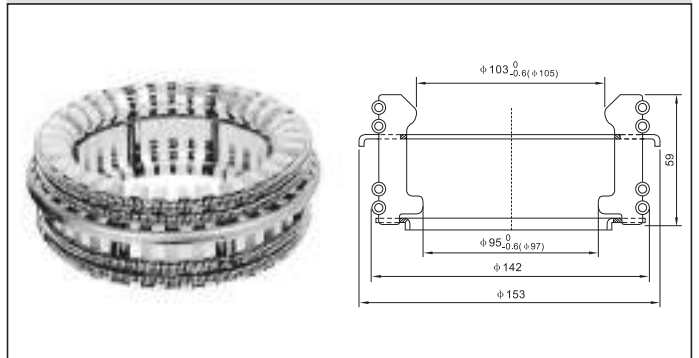
Model No.: LYA116 GC5-3150A Tulip contact with 64 sheets



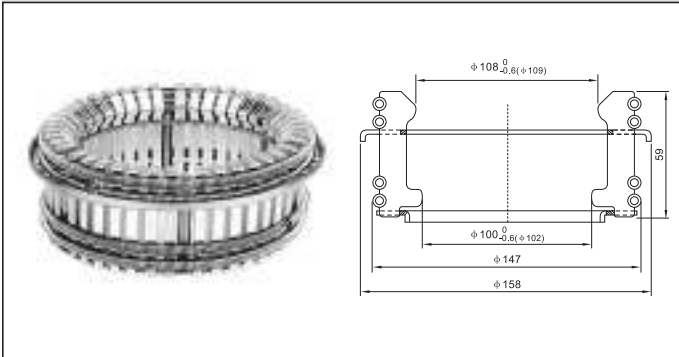
Model No.: LYA129 GC5-3150A Tulip contact with 64 sheets



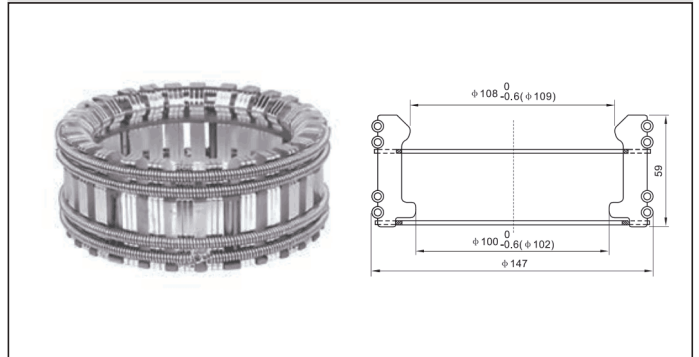
Model No.: LYA117 GC5-3150A Tulip contact with 72 sheets



Model No.: LYA118 GC5-4000A Tulip contact with 84 sheets

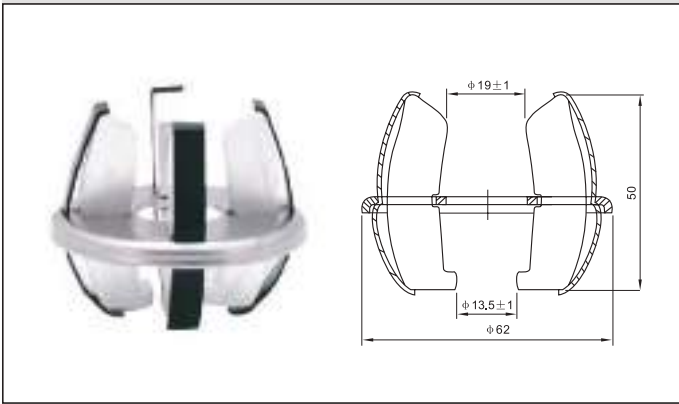


Model No.: LYA130 GC5-4000A Tulip contact with 84 sheets

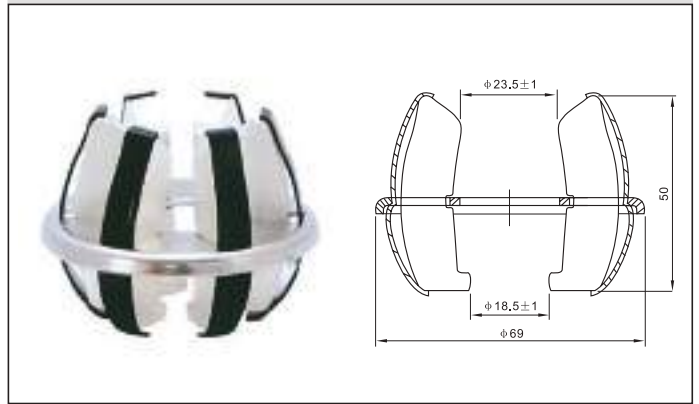


BALL SHAPE TULIP CONTACT SERIES

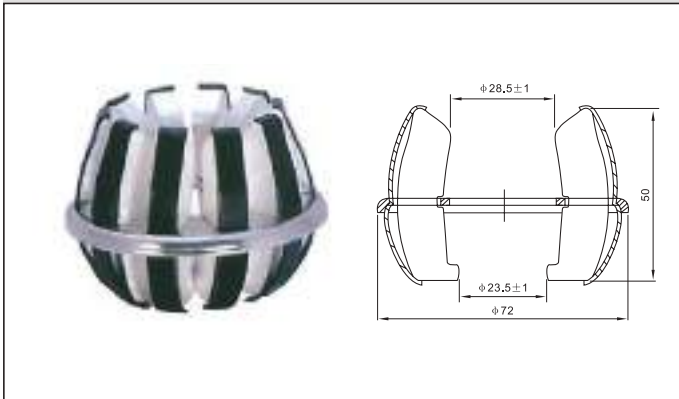
Model No.: LYA201 GC4-400A Ball shape Tulip contact with 4 sheets



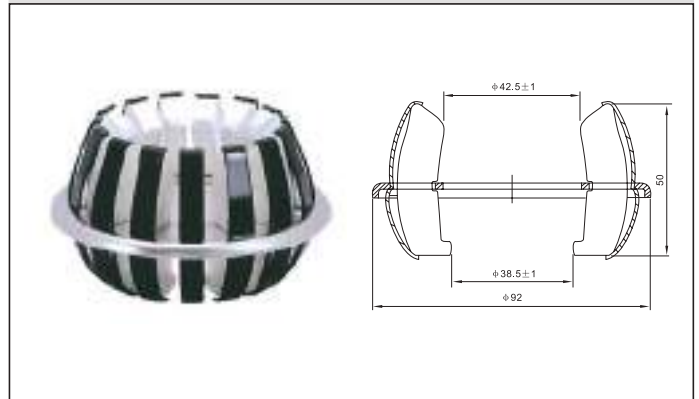
Model No.: LYA202 GC4-630A Ball shape Tulip contact with 6 sheets



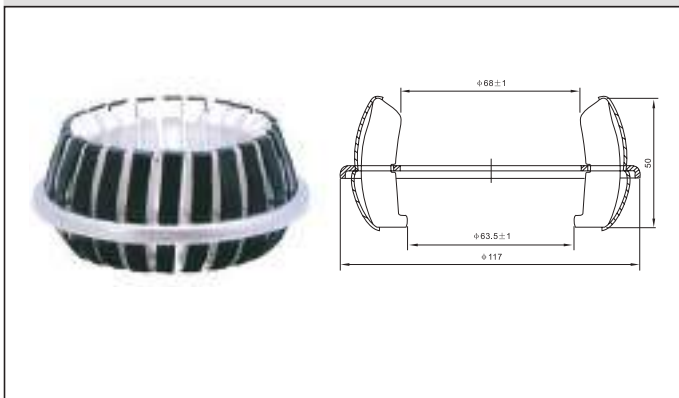
Model No.: LYA203 GC4-1000A Ball shape Tulip contact with 10 sheets



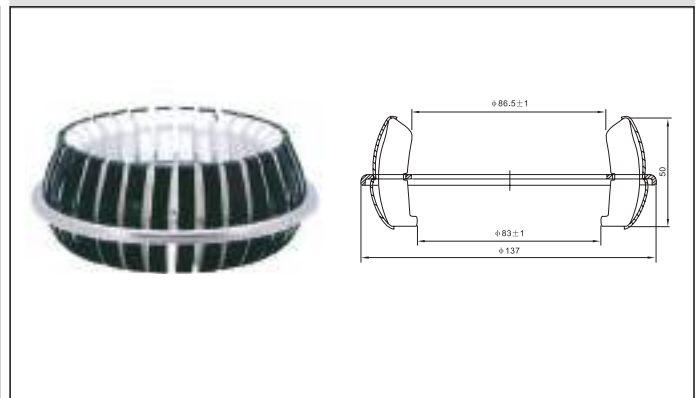
Model No.: LYA204 GC4-1250A Ball shape Tulip contact with 15 sheets



Model No.: LYA205 GC4-2500A Ball shape Tulip contact with 24 sheets

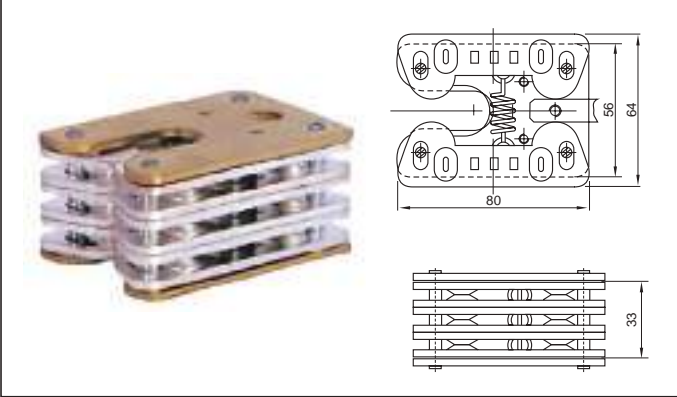


Model No.: LYA206 GC4-3150A Ball shape Tulip contact with 30 sheets

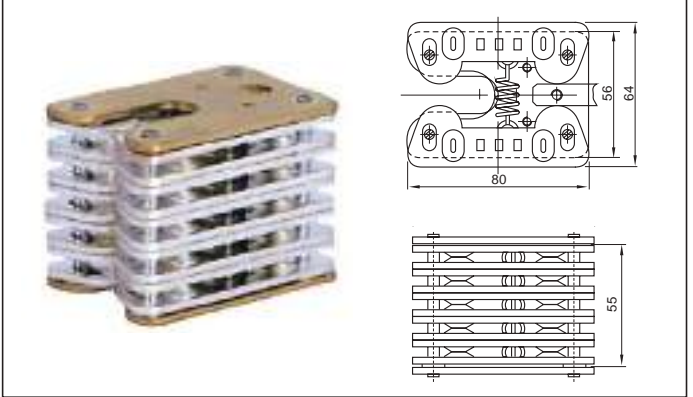


FLAT CONTACT SERIES

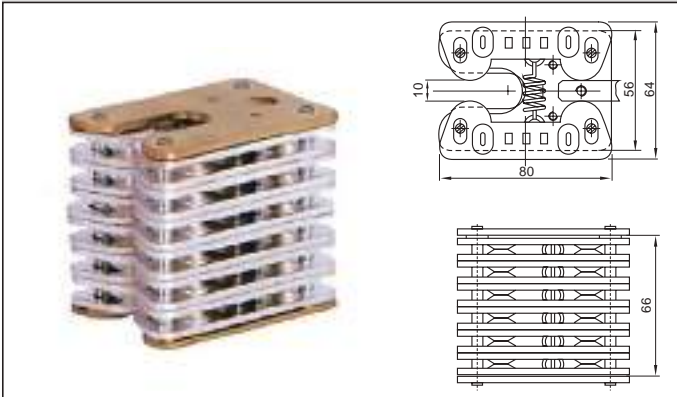
Model No.: LYA301 GC8-630A Flat contact with 12 sheets
Contact plate thickness: 10mm Insertion depth:34±2mm



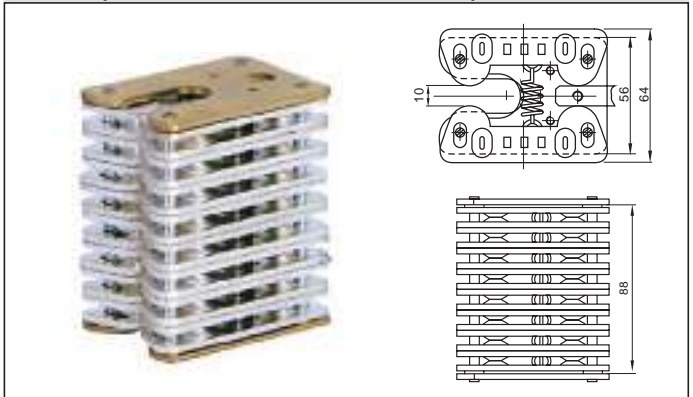
Model No.: LYA302 GC8-1000A Flat contact with 20 sheets
Contact plate thickness: 10mm Insertion depth:34±2mm



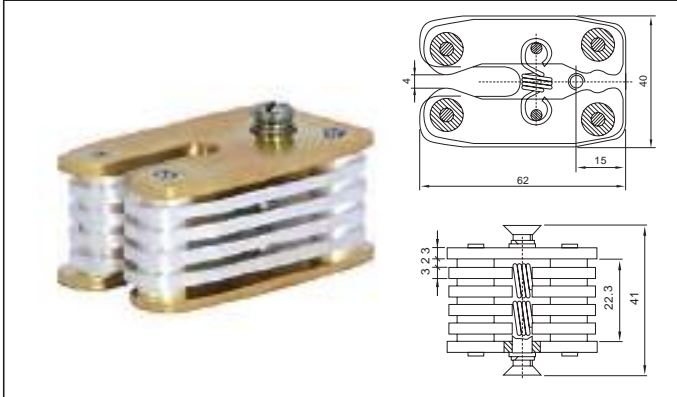
Model No.: LYA303 GC8-1250A Flat contact with 24 sheets
Contact plate thickness: 10mm Insertion depth:34±2mm



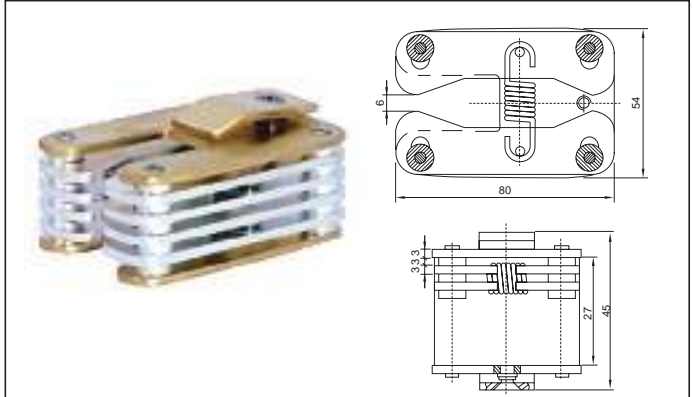
Model No.: LYA304 GC8-1600A Flat contact with 32 sheets
Contact plate thickness: 10mm Insertion depth:34±2mm



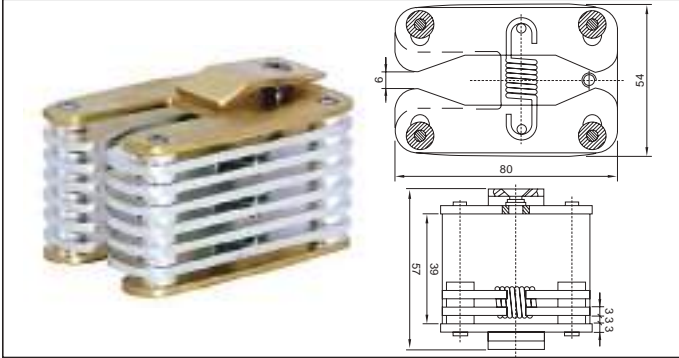
Model No.: LYA401 GC6-400A Flat contact with 8 sheets
Contact plate thickness: 6mm Insertion depth:22±2mm



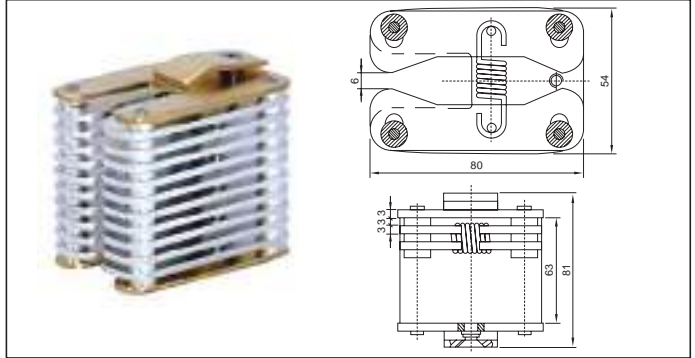
Model No.: LYA402 GC6-400A Flat contact with 8 sheets
Contact plate thickness: 10mm Insertion depth:34±2mm



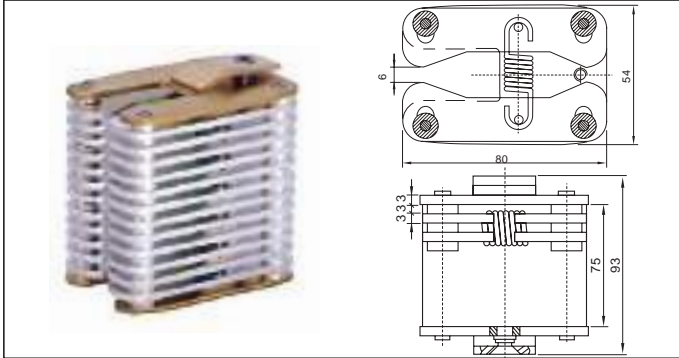
Model No.: LYA403 GC6-630A Flat contact with 12 sheets
Contact plate thickness: 10mm Insertion depth:34±2mm



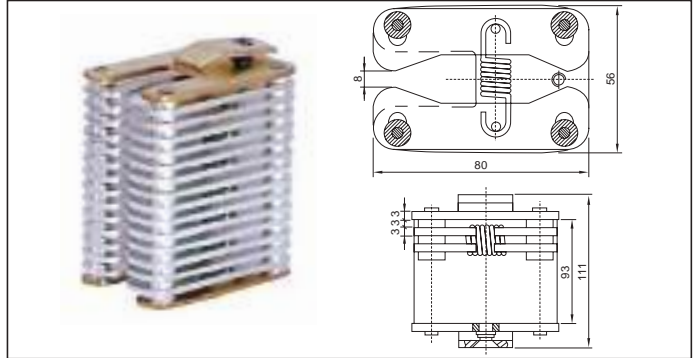
Model No.: LYA404 GC6-1000A Flat contact with 20 sheets
Contact plate thickness: 10mm Insertion depth:34±2mm



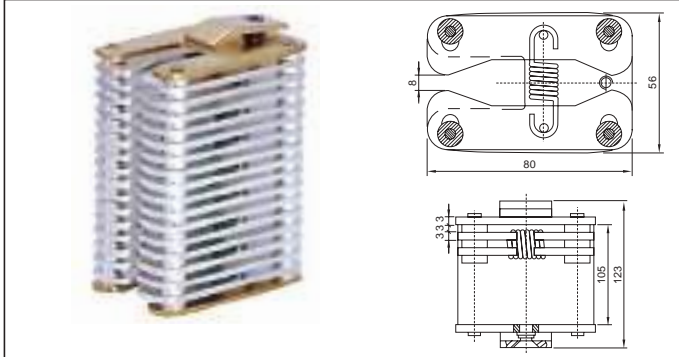
Model No.: LYA405 GC6-1250A Flat contact with 24 sheets
Contact plate thickness: 10mm Insertion depth:34±2mm1)



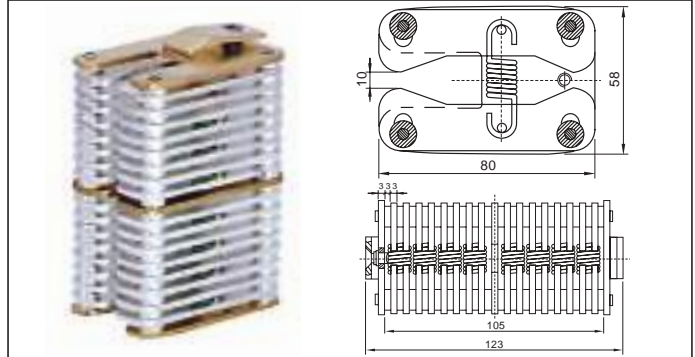
Model No.: LYA406 GC6-1600A Flat contact with 28 sheets
Contact plate thickness: 12mm Insertion depth:34±2mm



Model No.: LYA407 GC6-1600A Flat contact with 32 sheets
Contact plate thickness: 12mm Insertion depth:34±2mm

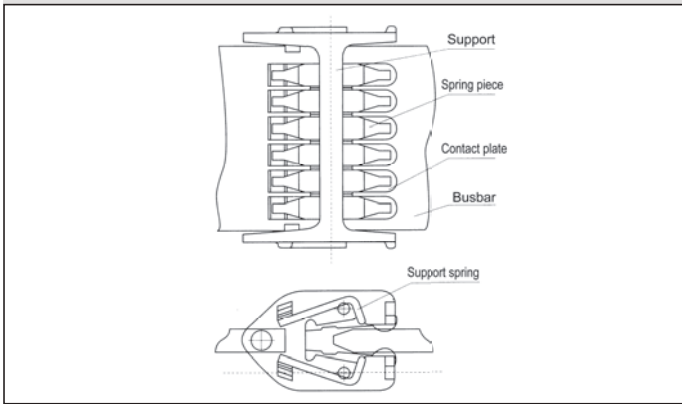


Model No.: LYA408 GC6-2000A Flat contact with 32 sheets
Contact plate thickness: 15mm Insertion depth:34±2mm

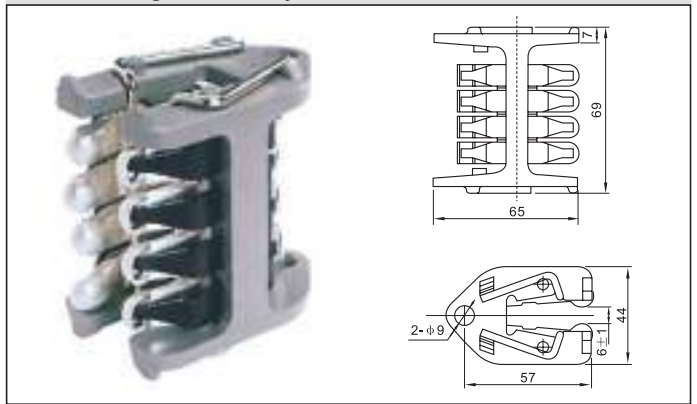


LONGITUDINAL ROTARY CONTACT SERIES

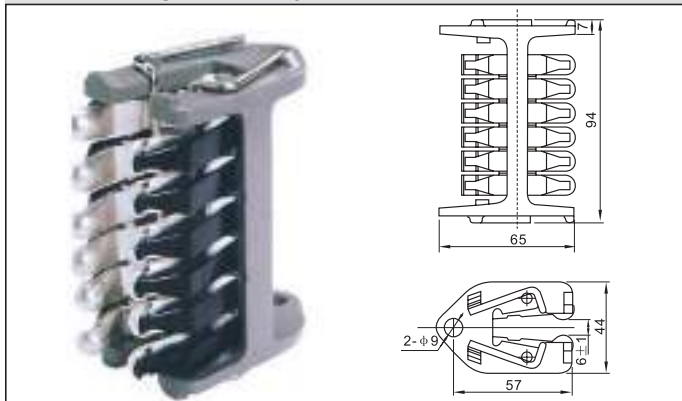
Contact Installation Diagram



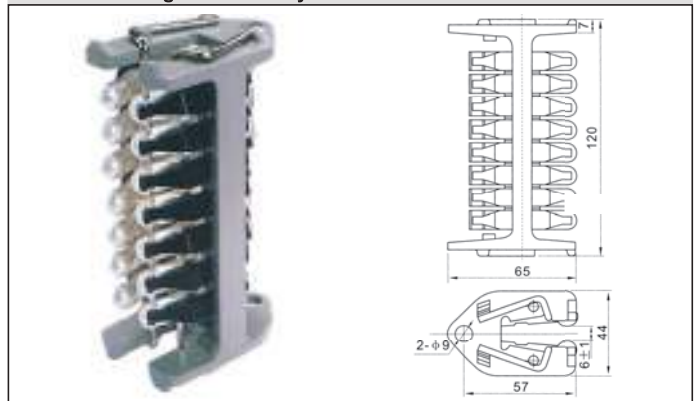
Model No.: LYA509 Contact plate thickness: 10mm
WCD-630 Longitudinal rotary contact with 8 sheets



Model No.: LYA510 Contact plate thickness: 10mm
WCD-1250 Longitudinal rotary contact with 12 sheets



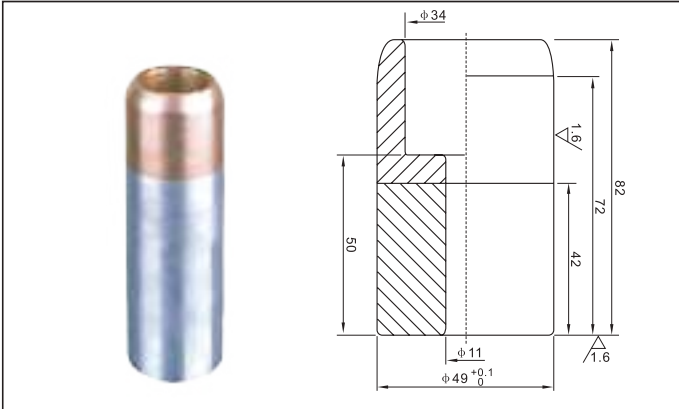
Model No.: LYA511 Contact plate thickness: 10mm
WCD-1600 Longitudinal rotary contact with 16 sheets



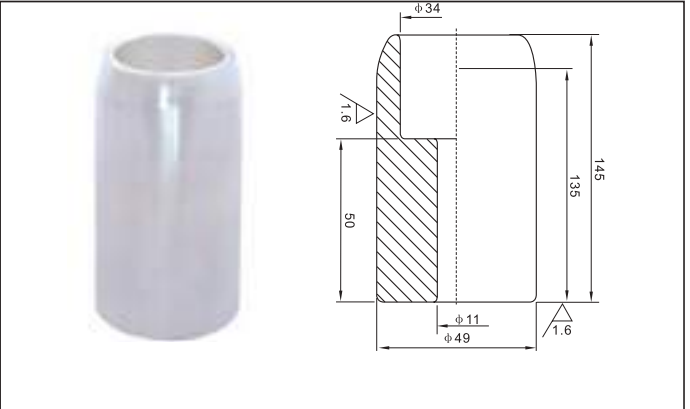
FIXED CONTACT SERIES

<p>Model No.: LYB101 Material: T2 Red Copper 630A Fixed contact</p>	<p>Model No.: LYB113 Material: T2 Red Copper 630A Fixed contact</p>
<p>Model No.: LYB007 Material: Copper & Aluminum 630A Fixed contact</p>	<p>Model No.: LYB117 Material: T2 Red Copper 630A Fixed contact</p>
<p>Model No.: LYB102 Material: T2 Red Copper 1250A Fixed contact</p>	<p>Model No.: LYB103 Material: T2 Red Copper 1250A Fixed contact</p>

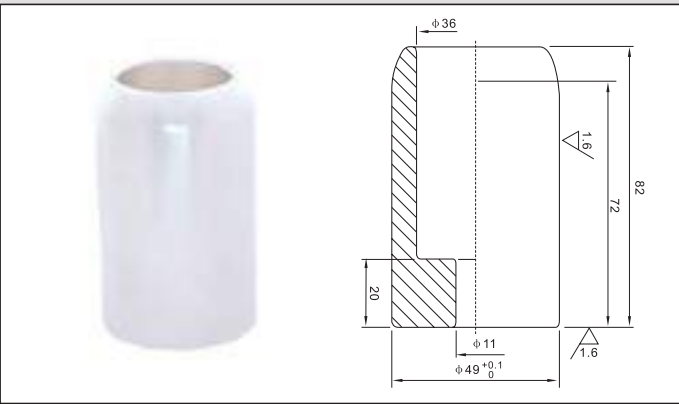
Model No.: LYB008 Material: Copper & Aluminum 1250A Fixed contact



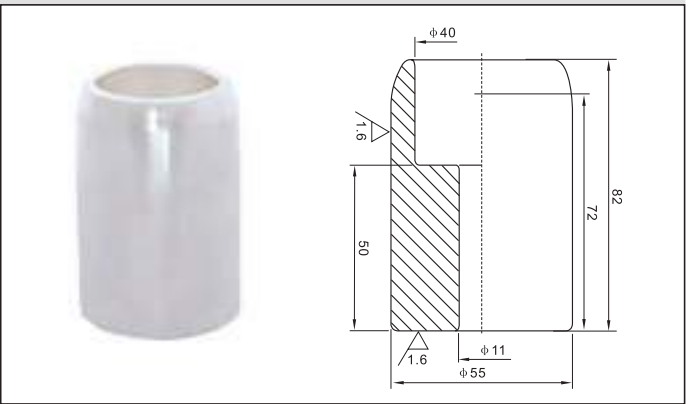
Model No.: LYB118 Material: T2 Red Copper 1250A Fixed contact



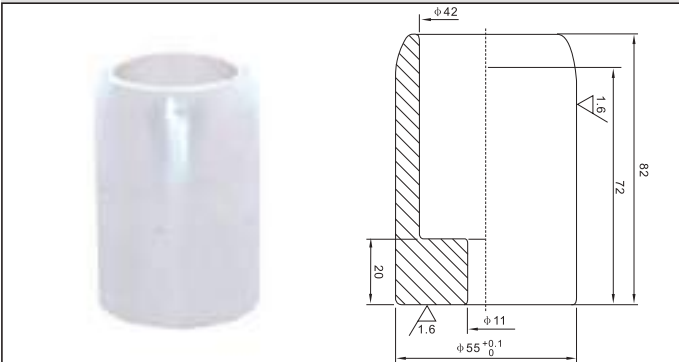
Model No.: LYB114 Material: T2 Red Copper 1250A Fixed contact



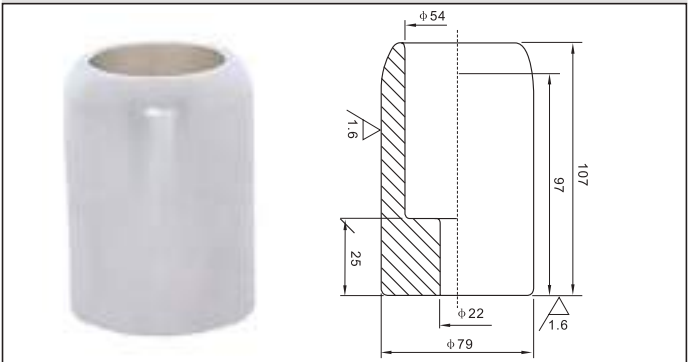
Model No.: LYB104 Material: T2 Red Copper 1600A Fixed contact



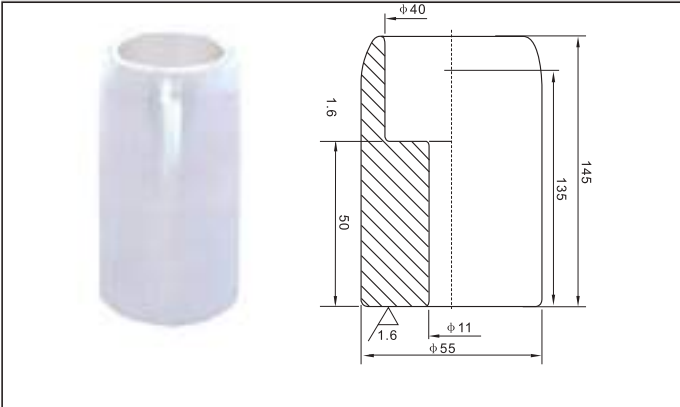
Model No.: LYB115 Material: T2 Red Copper 1600A Fixed contact



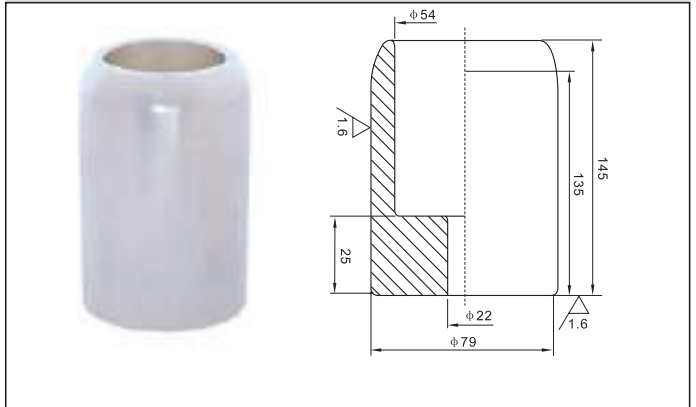
Model No.: LYB105 Material: T2 Red Copper 2000A Fixed contact



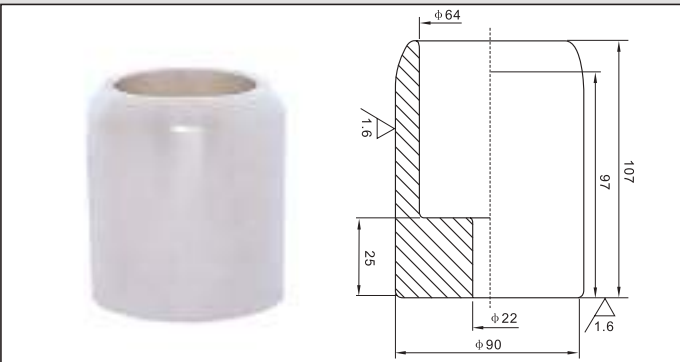
Model No.: LYB119 Material: T2 Red Copper 1600A Fixed contact



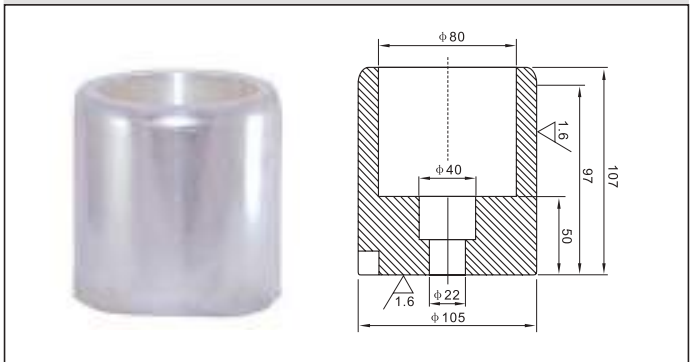
Model No.: LYB120 Material: T2 Red Copper 2000A Fixed contact



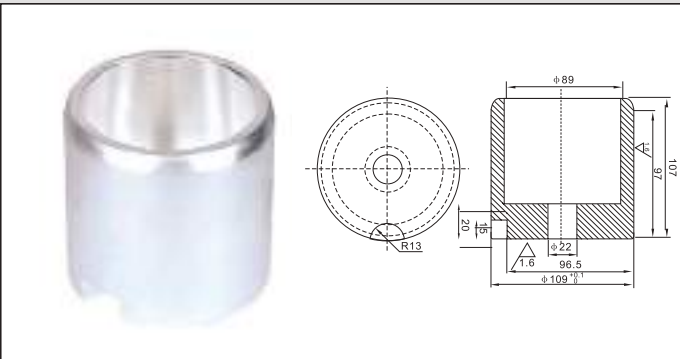
Model No.: LYB106 Material: T2 Red Copper 2000A Fixed contact



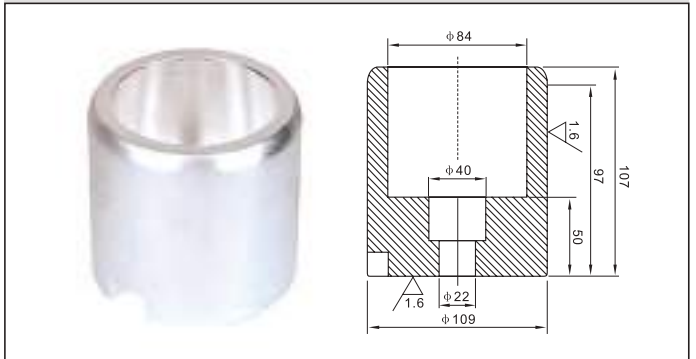
Model No.: LYB107 Material: T2 Red Copper 3150A Fixed contact



Model No.: LYB116 Material: T2 Red Copper 3150A Fixed contact



Model No.: LYB108 Material: T2 Red Copper 4000A Fixed contact

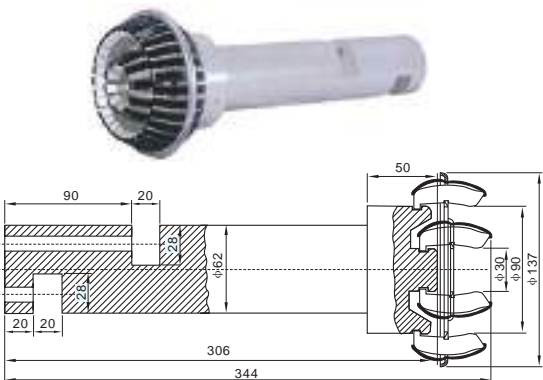


CONTACT ARM SERIES

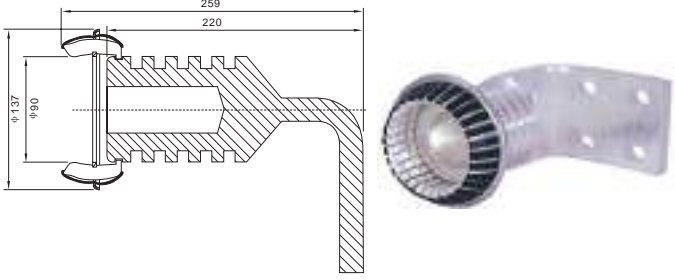


Our company's sulfidizing type contact arm can work without contact arm casing to realize the miniaturization of the switch. Vulcanization coating thickness is 2-4mm, each millimeter can withstand 20000V power frequency withstand voltage.


Ball shape Tulip contact assembly

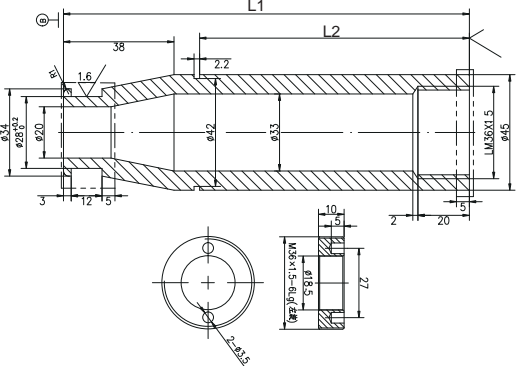


Ball shape Tulip contact assembly




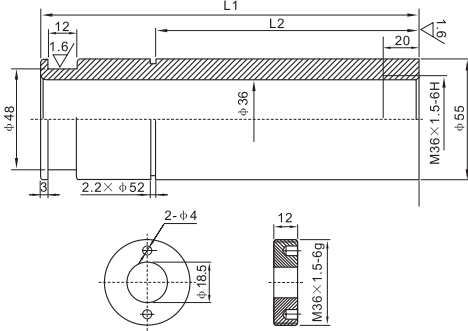
Model No.: LYB203-LYB207 Material: Copper & Aluminum or T2 Red Copper 630A Contact arm






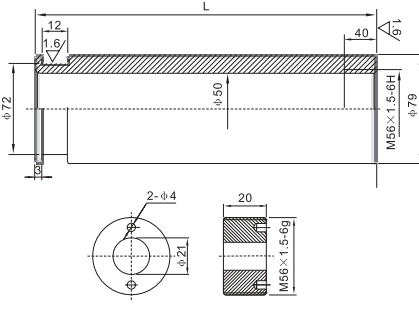
Model No.	L1	L2
LYB203	158	102
LYB204	188	105
LYB205	256	No slot
LYB206	315	No slot
LYB207	321	No slot

Model No.: LYB222-LYB225 Material: Copper & Aluminum or T2 Red Copper 1600A Contact arm


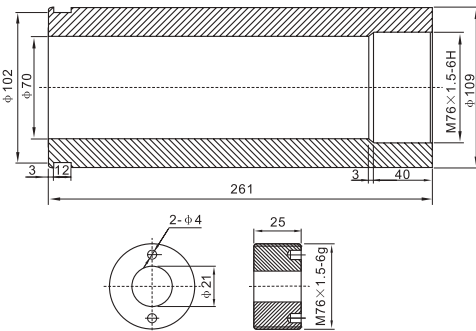
Model No.	L1	L2
LYB222	158	102
LYB223	295	No slot
LYB224	315	No slot
LYB225	436.5	ZN85

Model No.: LYB226-LYB229 Material: T2 Red Copper 2000A Contact arm


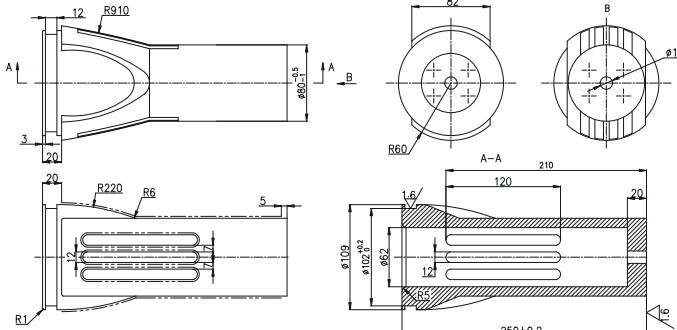
Model No.	L1	L2
LYB226	182	
LYB227	261	
LYB228	283	
LYB229	436.5	ZN85

Model No.: LYB230-LYB233 Material: T2 Red Copper 3150A Contact arm

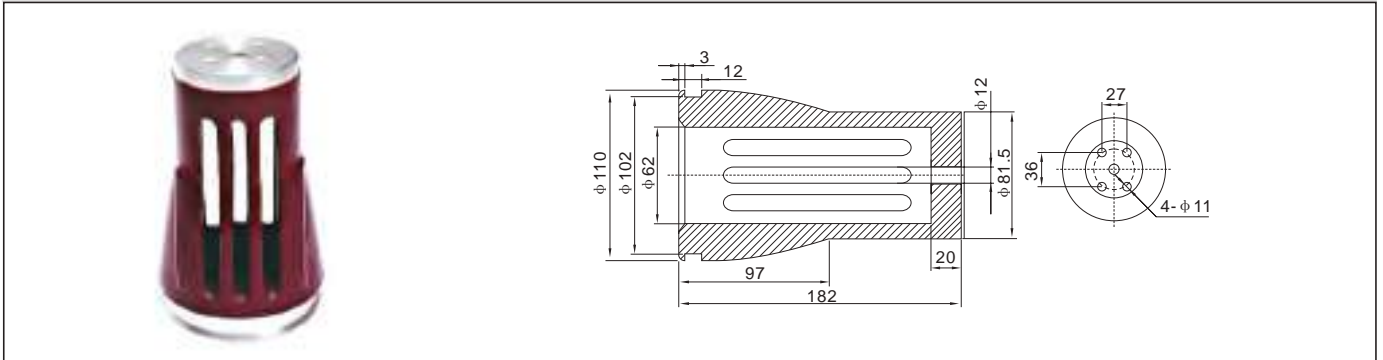



Model No.	L1
LYB230	236
LYB231	255
LYB232	261
LYB233	281

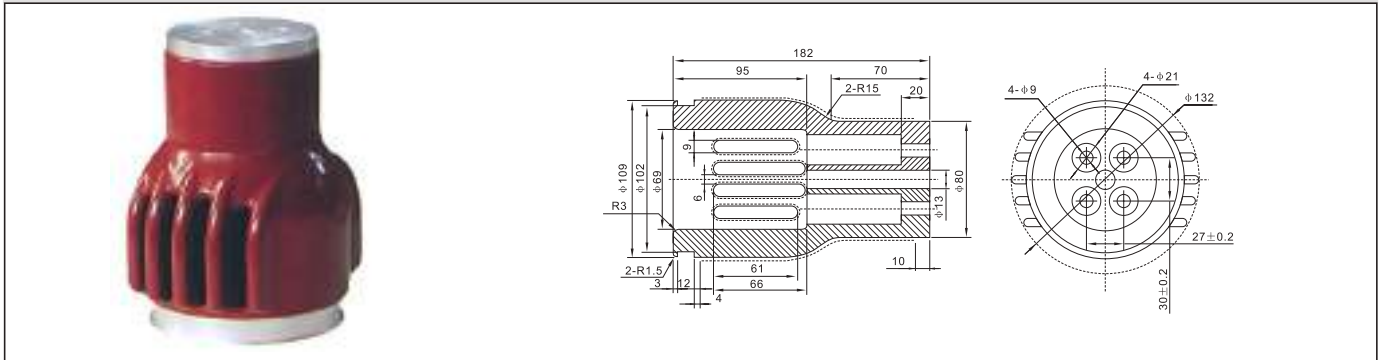
Model No.: LYB265 Material: T2 Red Copper (Sulfidizing) (Note: Lengthened contact arm, apply to large current isolated car) VS1-3150A Contact arm

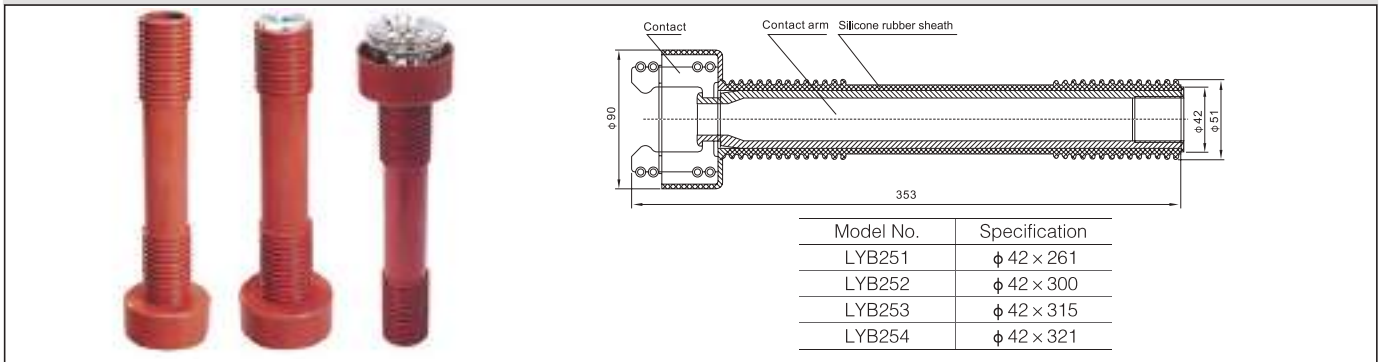
Model No.: LYB259 Material: T2 Red Copper(Sulfidizing) VS1-3150A Contact arm



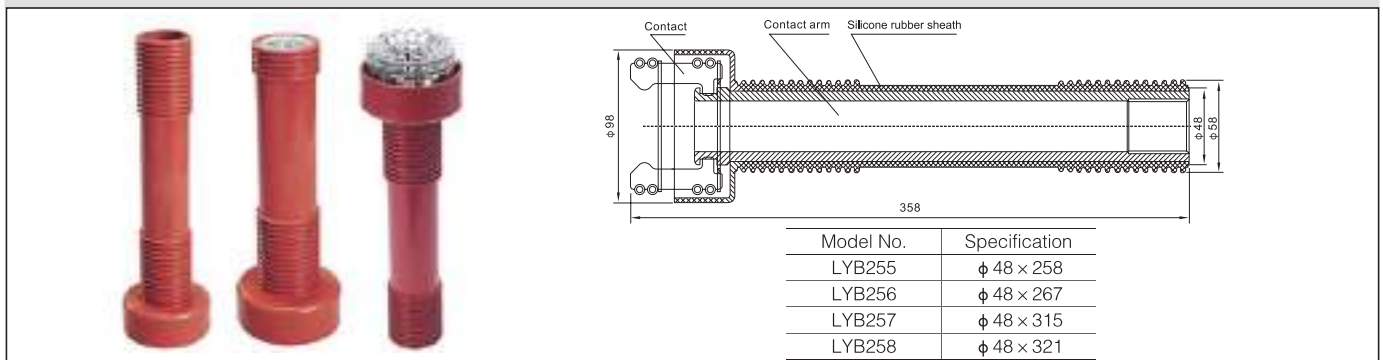
Model No.: LYB260 Material: T2 Red Copper(Sulfidizing) VS1-4000A Contact arm



Model No.: LYB251-LYB254 Material: T2 Red Copper(Patented silicone rubber) 630A Contact arm

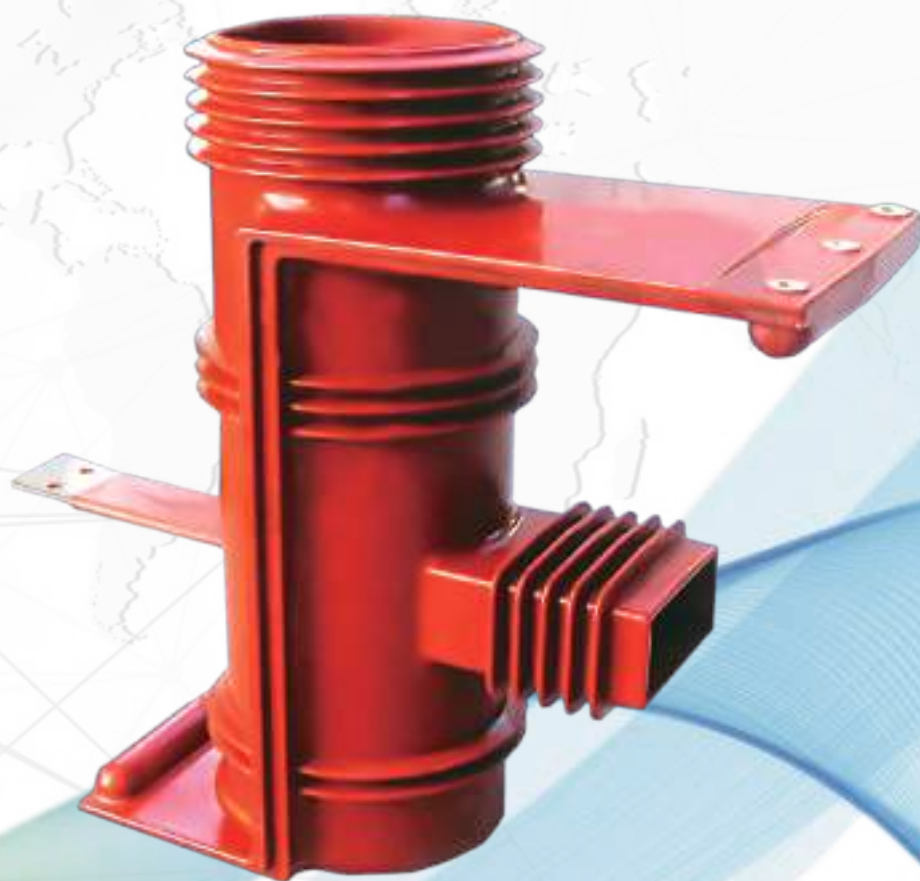


Model No.: LYB255-LYB258 Material: T2 Red Copper(Patented silicone rubber) 1250A Contact arm



SHOW PRODUCT

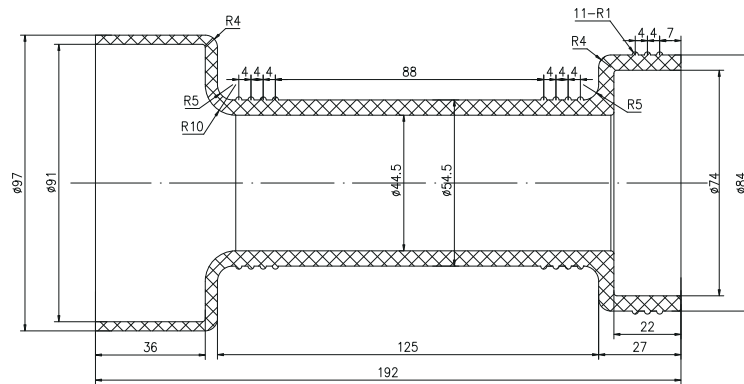
Insulation accessories series



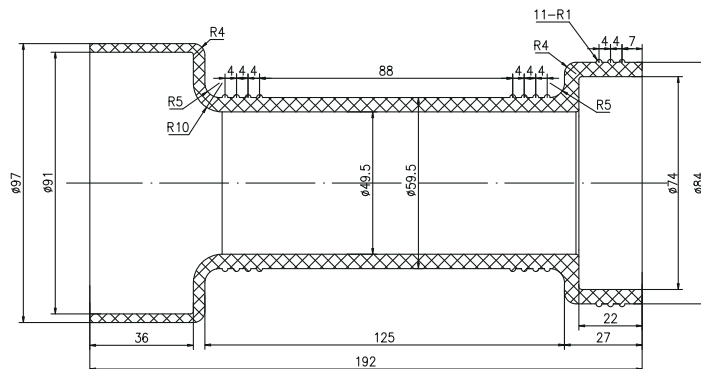
CONTACT ARM BUSHING SERIES



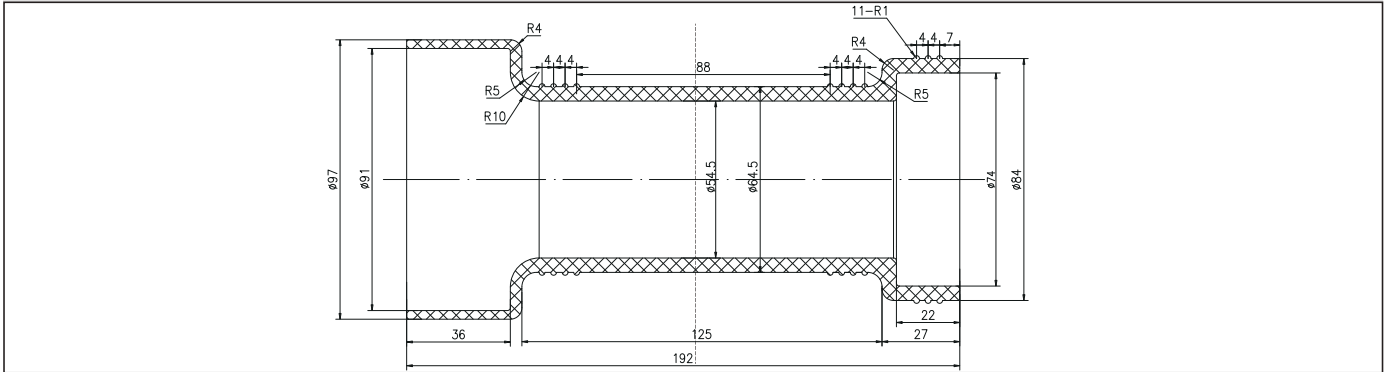
Model No.:LYC507



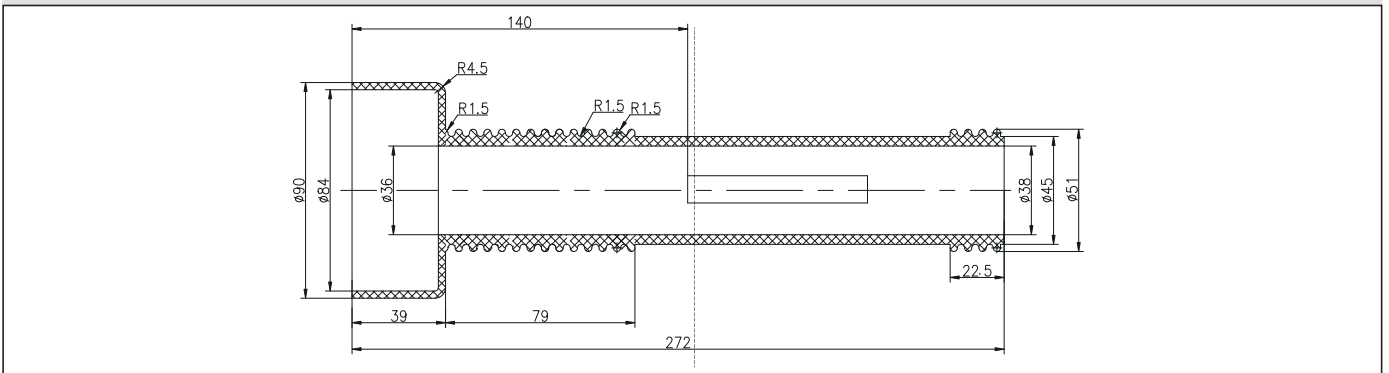
Model No.:LYC508



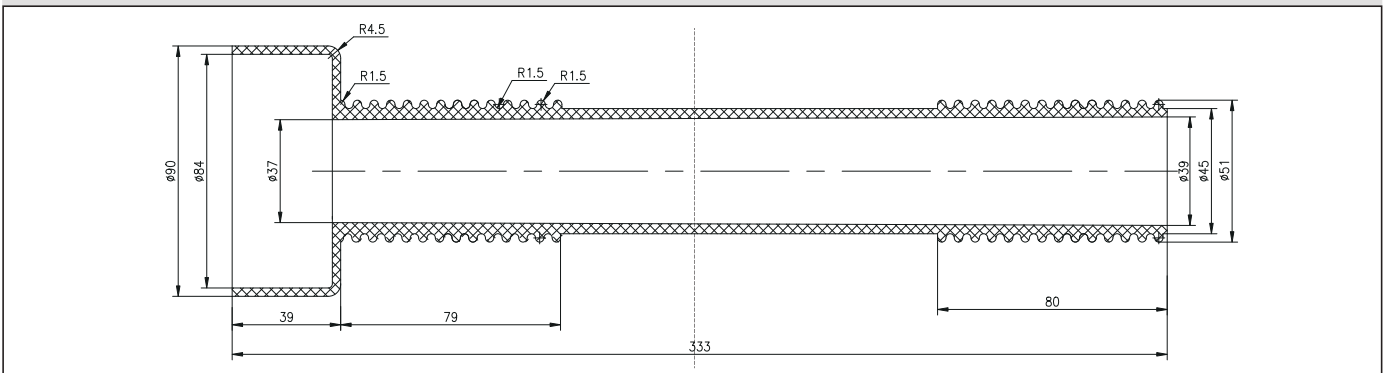
Model No.:LYC509



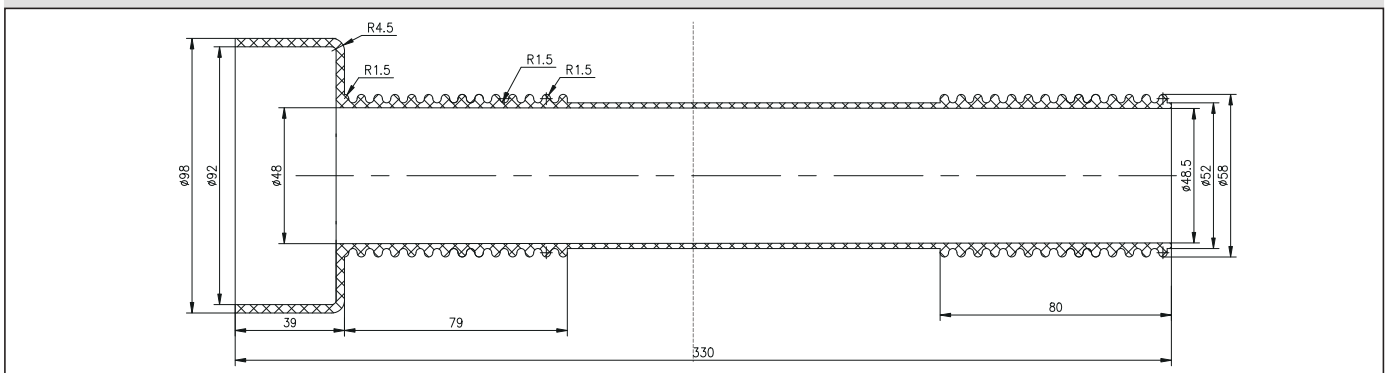
Model No.:LYC510



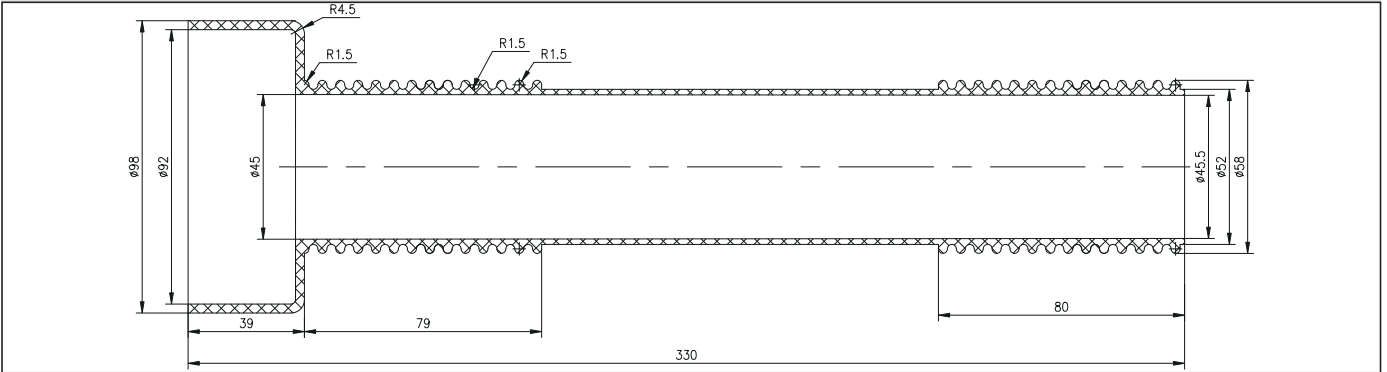
Model No.:LYC511



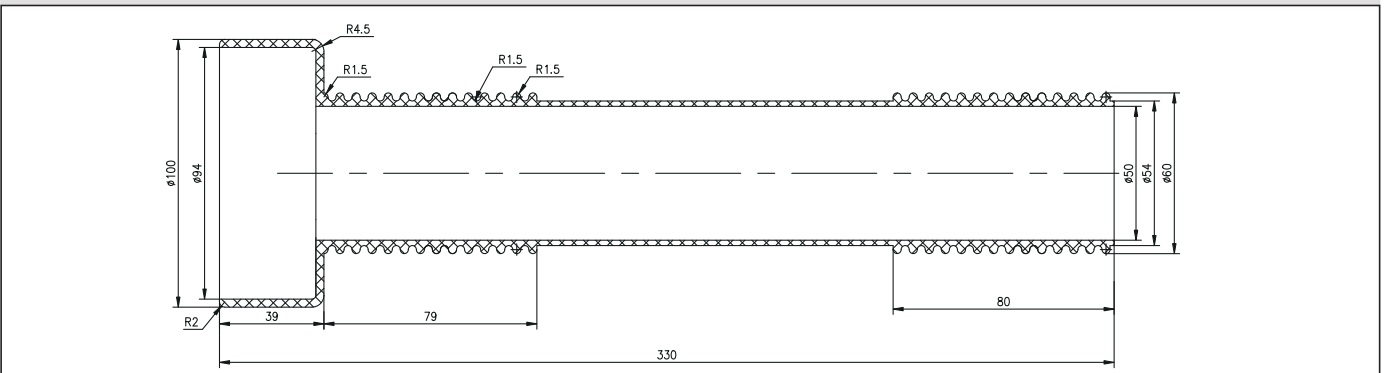
Model No.:LYC512



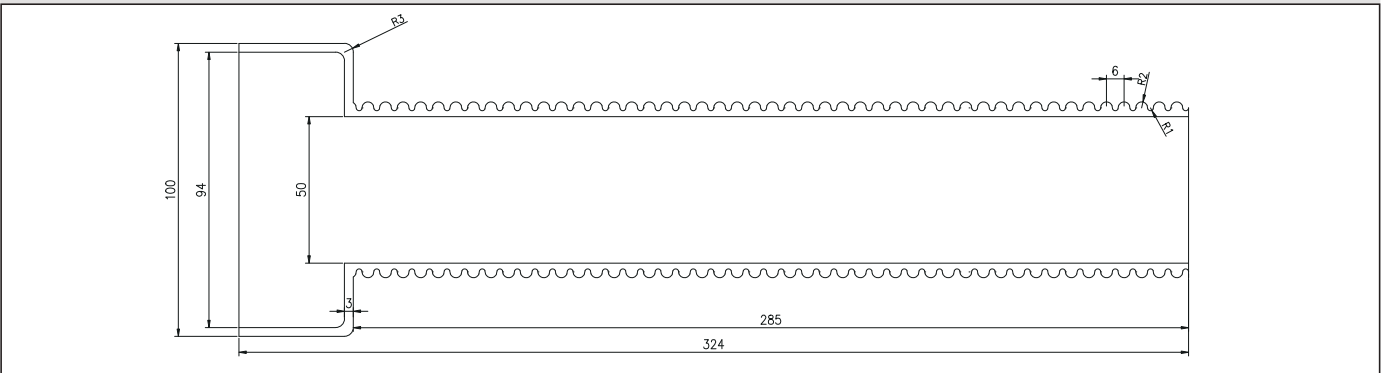
Model No.:LYC513



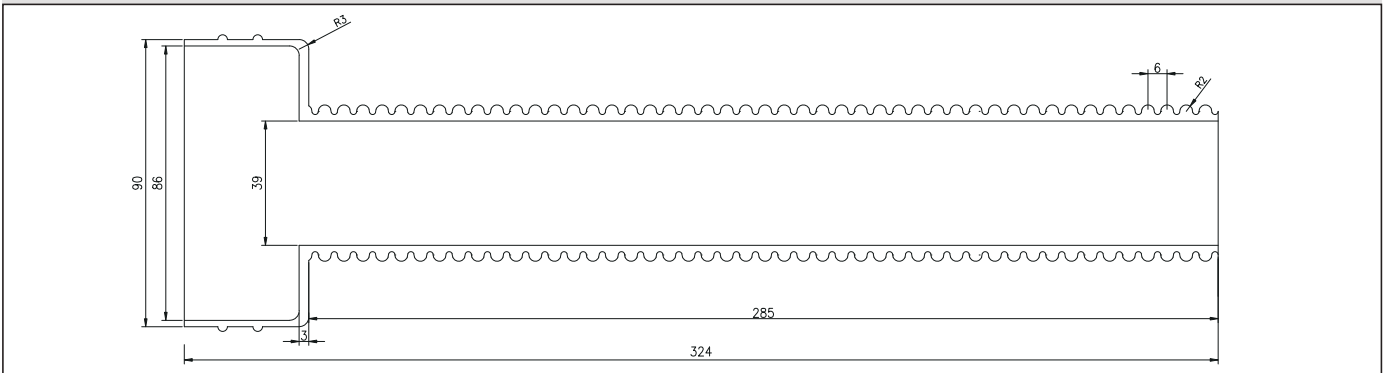
Model No.:LYC514



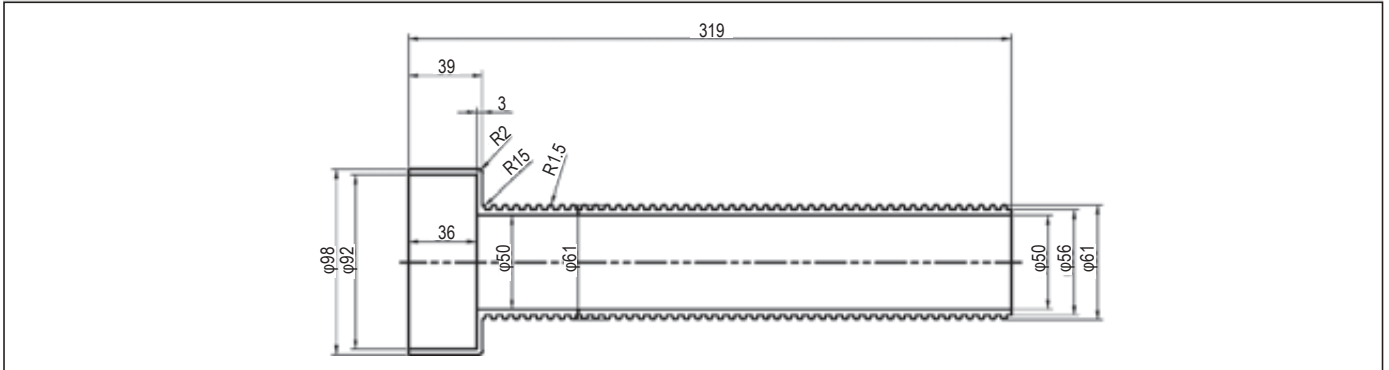
Model No.:LYC515



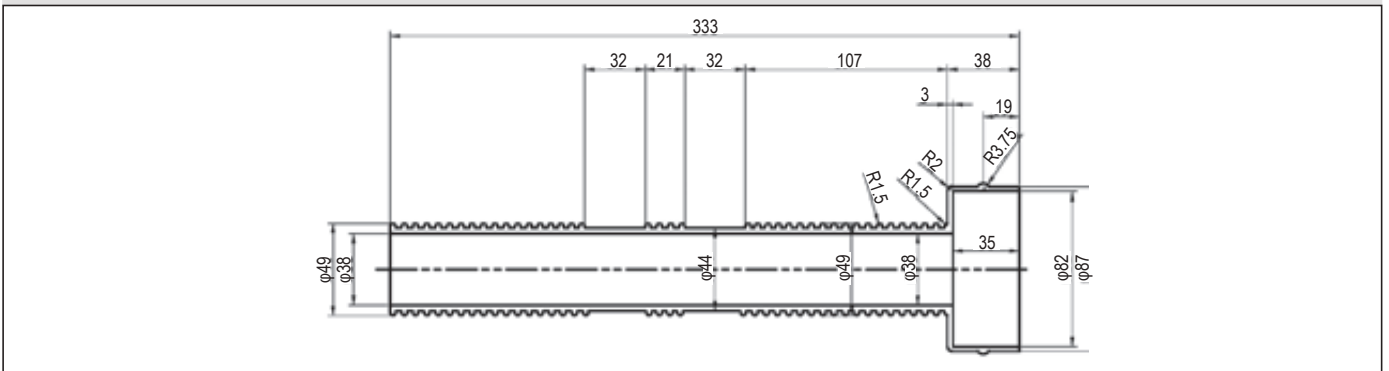
Model No.:LYC516



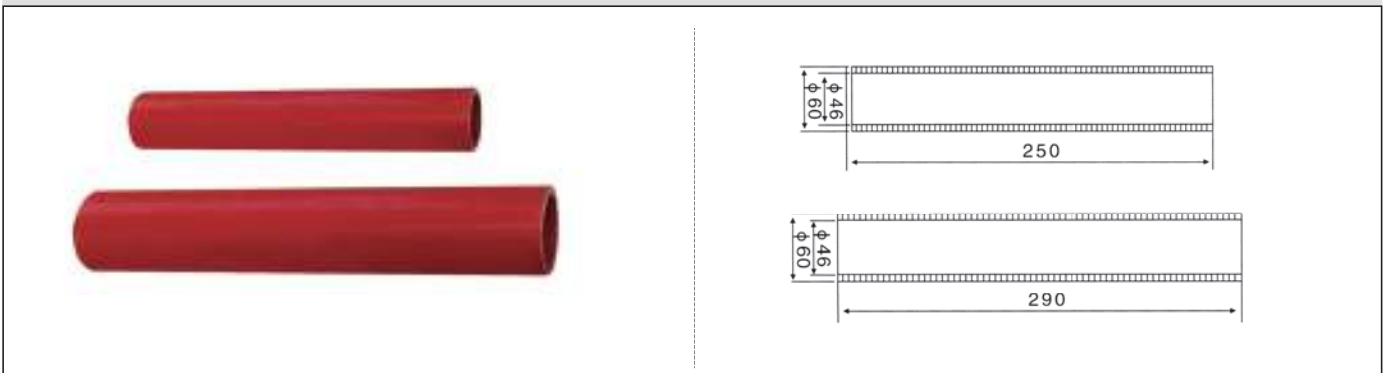
Model No.:LYC517



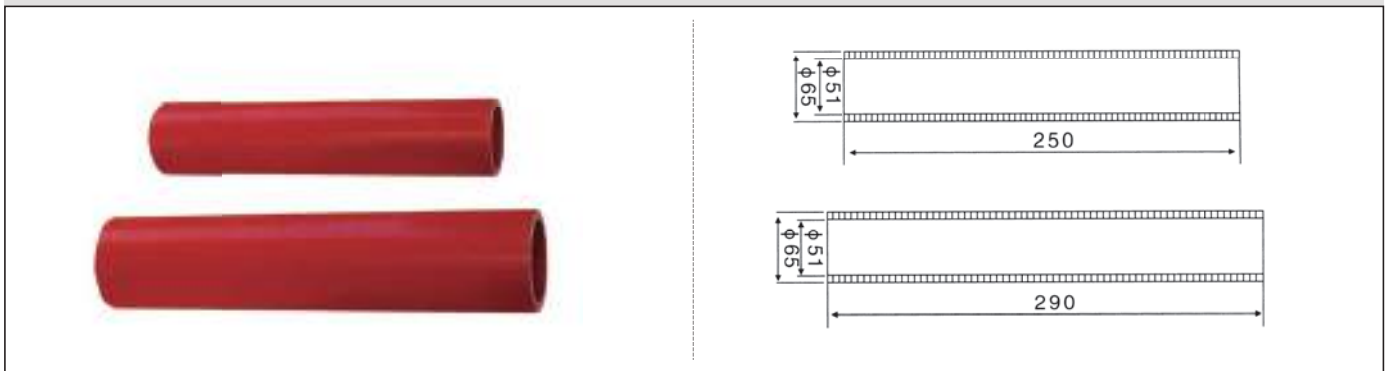
Model No.:LYC518



Model No.:LYC159 Name: TG5-12/φ46x250(290) Contact arm bushing

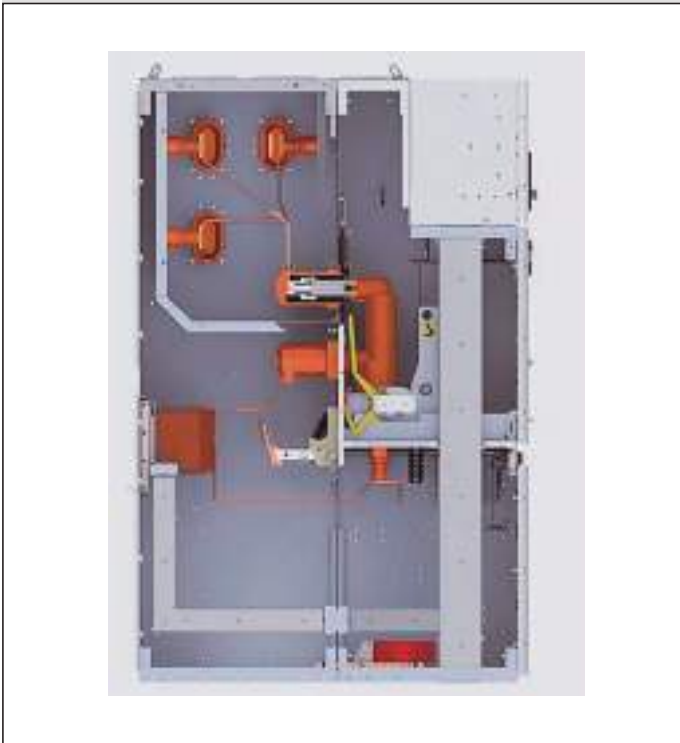


Model No.:LYC160 Name: TG5-12/φ51x250(290) Contact arm bushing



INSULATION ACCESSORIES SERIES

Installation Drawing



Function

It have the insulation, isolation, connection and transition function.

Usage

It is used for various of handcart type switch cabinet.

Standards:

Meets the requirements of GB3906-1991 < 3-35kv AC metal enclosed switchgear panel >

JB/T 10305-2001 < 3.6-40.5kv post insulator technique of organic material used in high equipment >

Description:

Selection of high toughness epoxy resin, with excellent mechanical properties and excellent electrical properties. Use lower reaction of active formula system, fast curing of material, low internal stress of product, to maximize the mechanical properties of the product.

Add active micro silicon powder, use epoxy resin material with automatic pressure gelating technique APG (casting). Which is beautiful in products, and good in mechanical properties of epoxy resin, but also to ensure that the insulators in humid environment maintain long-term good electrical insulation properties.

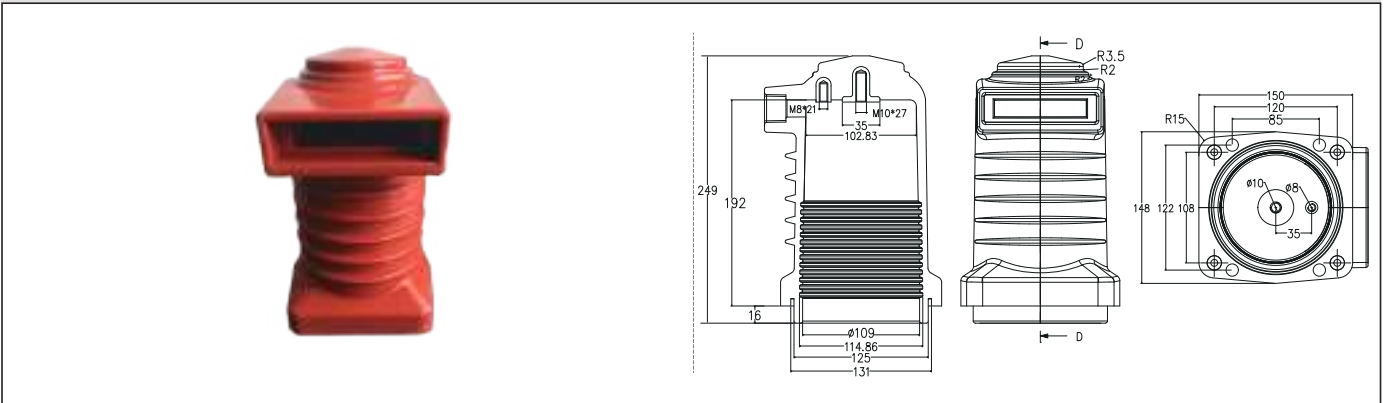
Add organic pigment, bright color, and not reduce the insulation performance of products.

Normal Working Environment:

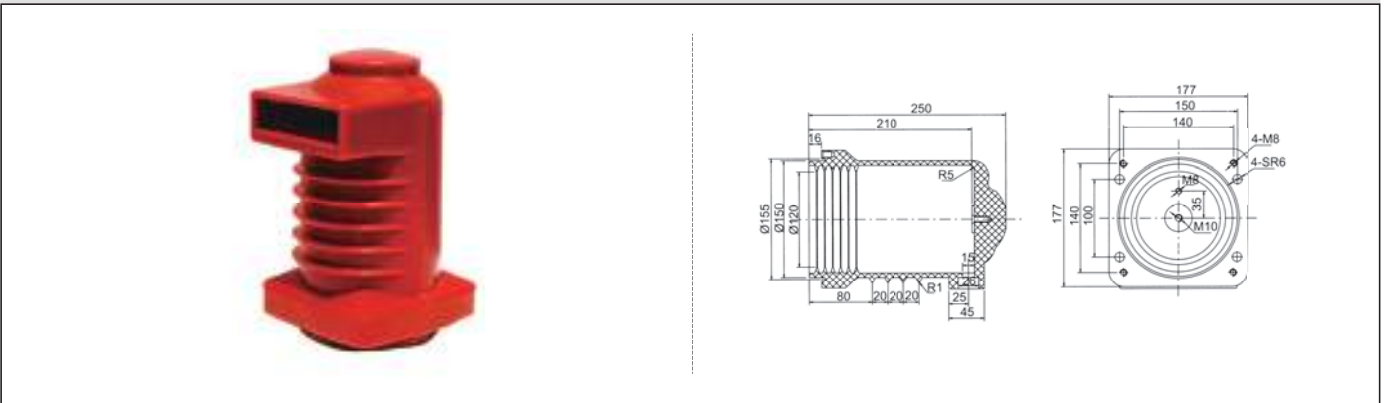
1. Altitude: $\leq 1000\text{m}$.
2. Ambient temperature at -30°C to $+40^{\circ}\text{C}$, the daily average temperature should not more than 30°C .
3. The daily average of relative humidity is less than 95%, the average monthly is less than 90%.
4. Working environment should be without steam, gas, chemical corrosive deposition, salt fog, dust, dirt and other dangerous explosive media, which will severely impact on insulation and conductivity of products.
5. Working environment should be regular vibration and serious bumps.

12kV CONTACT BOX SERIES

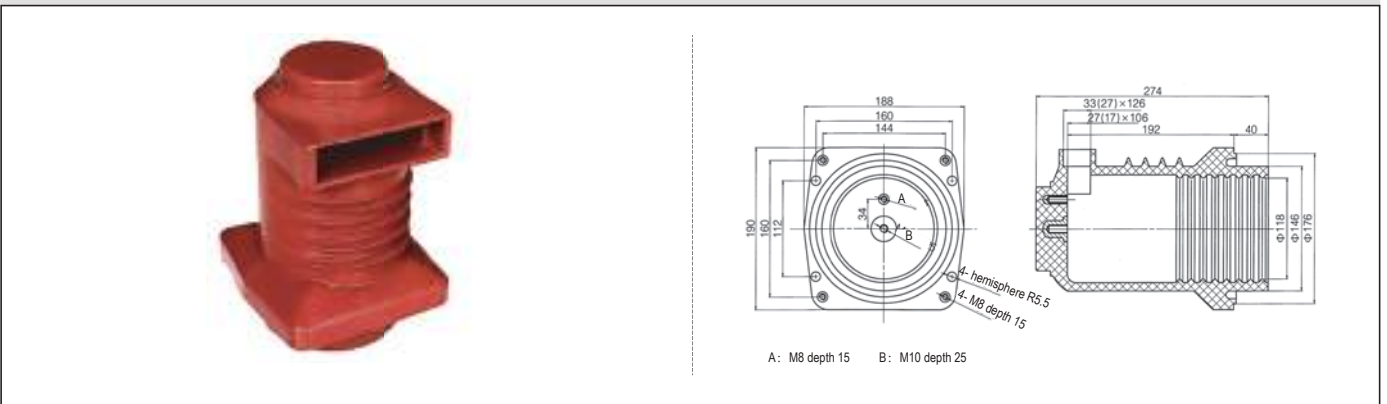
Model No.: LY101 Name: Contact box Rated current:630-1250A



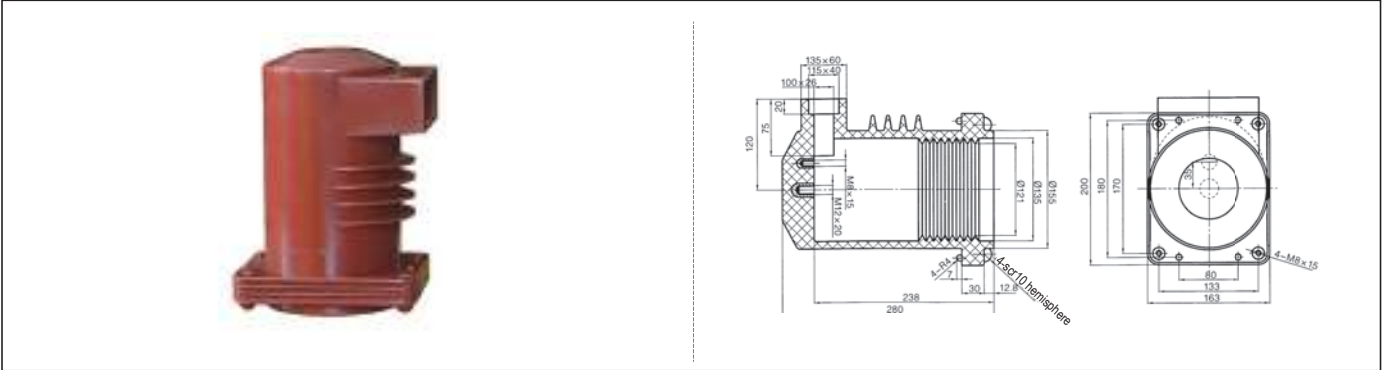
Model No.: LY102 Name: Contact box Rated current:1250A



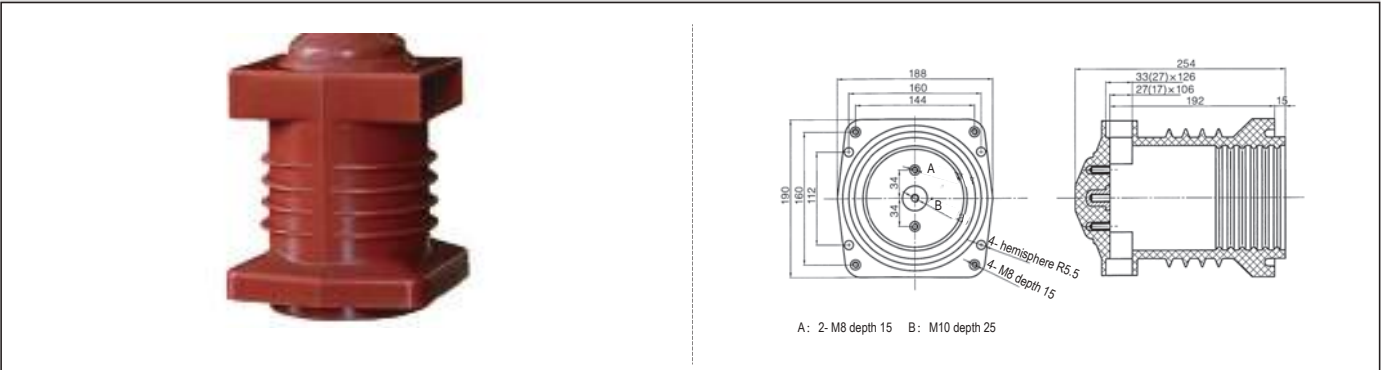
Model No.: LYC231(Plateau type) Name: Contact box(for KYN28 cabinet) Rated Current:630A-1600A



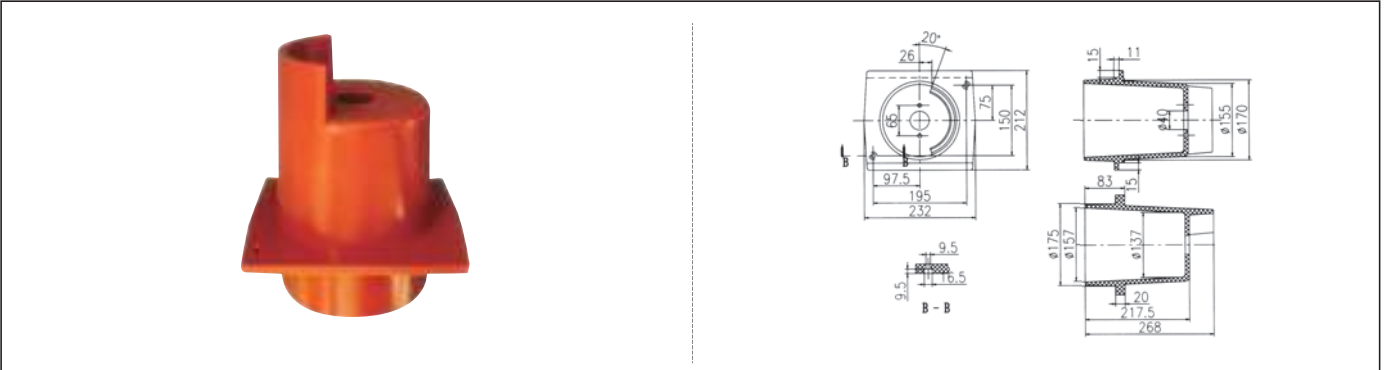
Model No.: LYC247(3VE-07190) Name: Contact box



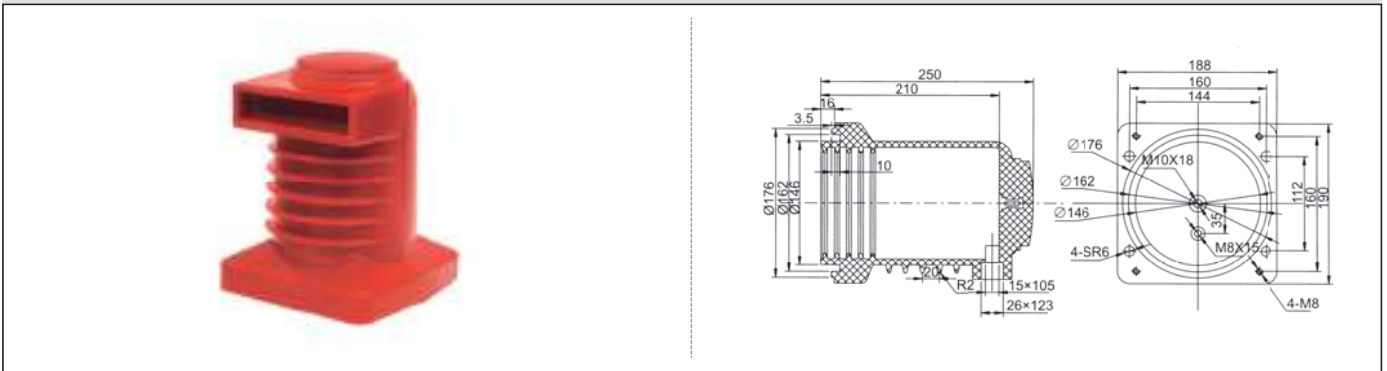
Model No.: LYC248(190tee) Name: Contact box



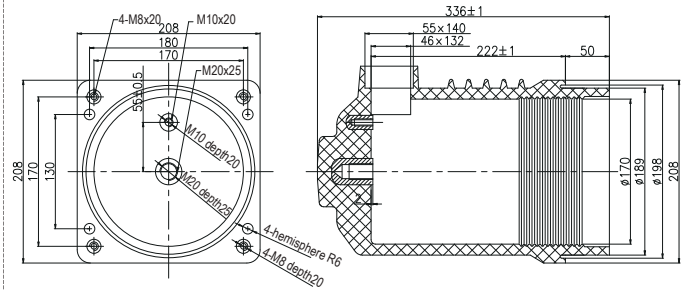
Model No.: LYC449 Name: Contact box



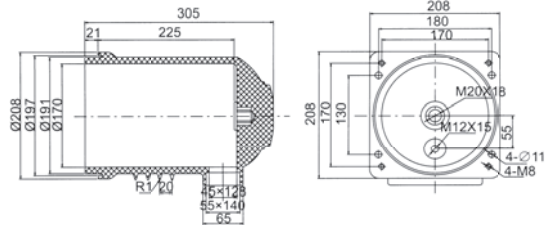
Model No.: LY103 Name: Contact box Rated current:1250-1600A



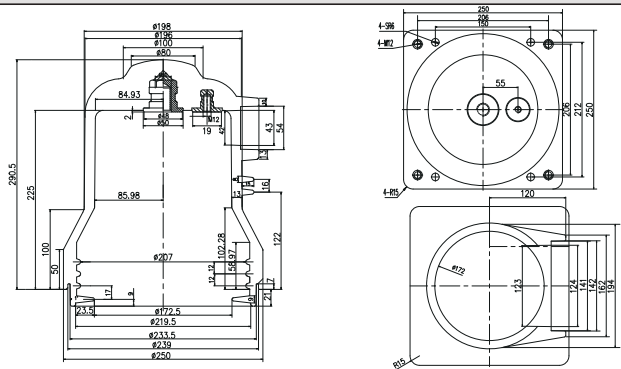
Model No.: LYC230(Plateau type) Name: Contact box(for KYN28 cabinet) Rated Current:1600A-3150A



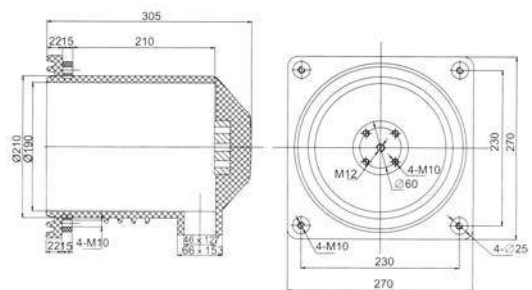
Model No.: LY104 Name:Contact box Rated current:1600-2000A



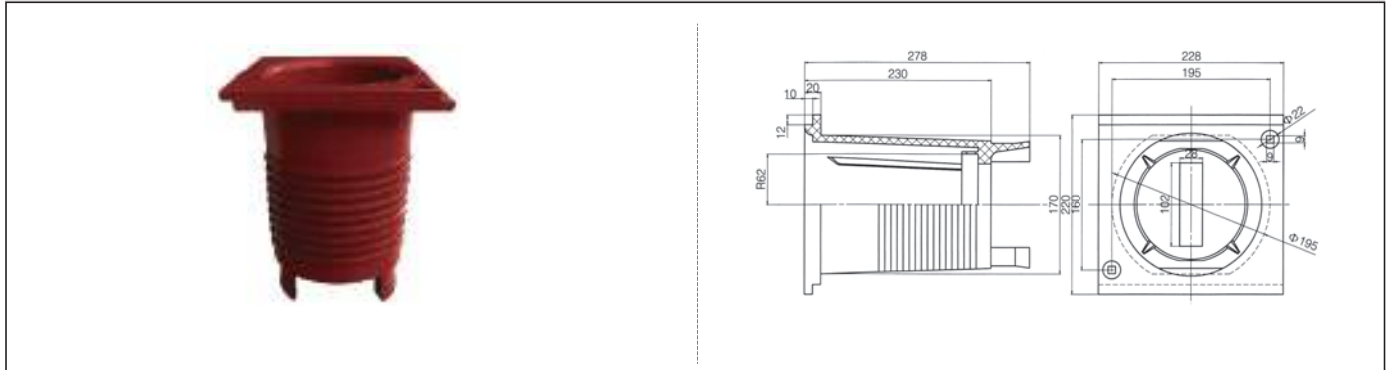
Model No.: LY105 Name: Contact box Rated current:3150-4000A



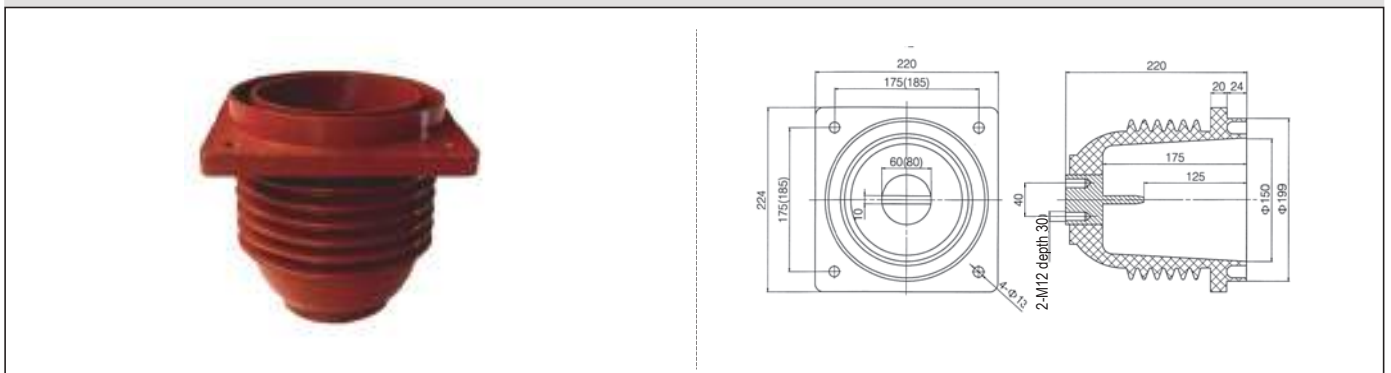
Model No.: LY106 Name: Contact box Rated current:3150-4000A



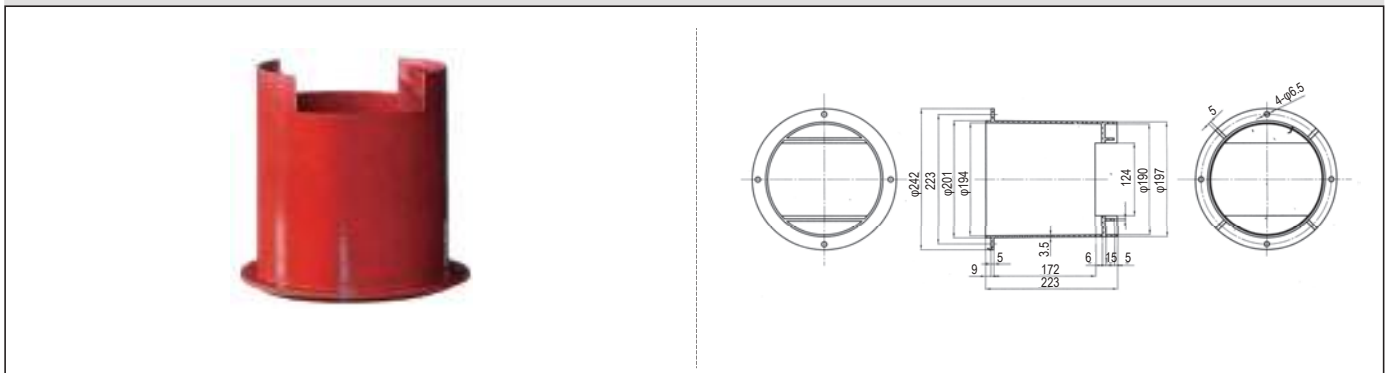
Model No.: LYC235 Name: Contact box(for KYN18 cabinet) Rated current:630A-3150A



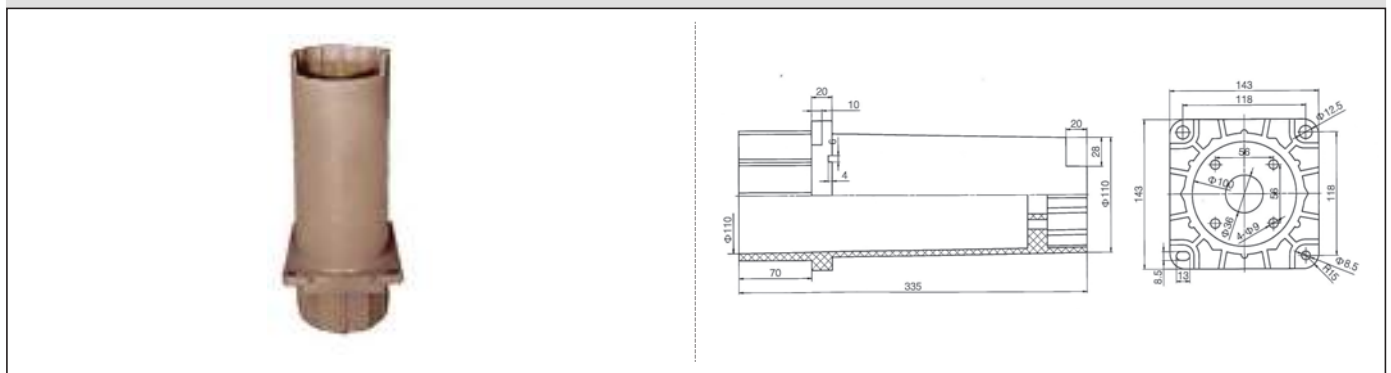
Model No.: LYC236 Name: Contact box(for KYN1 cabinet) Rated current:630A-1250A



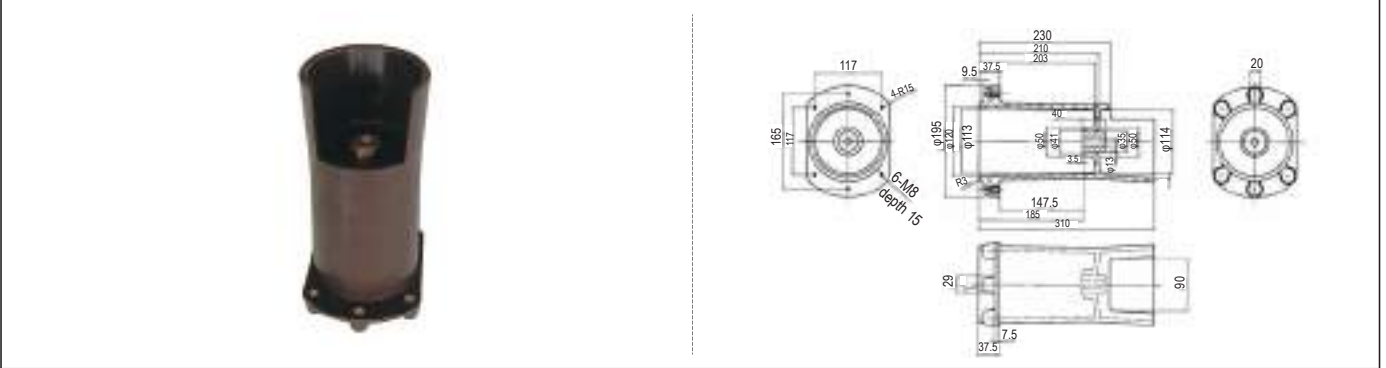
Model No.: LYC246 Name: Contact box



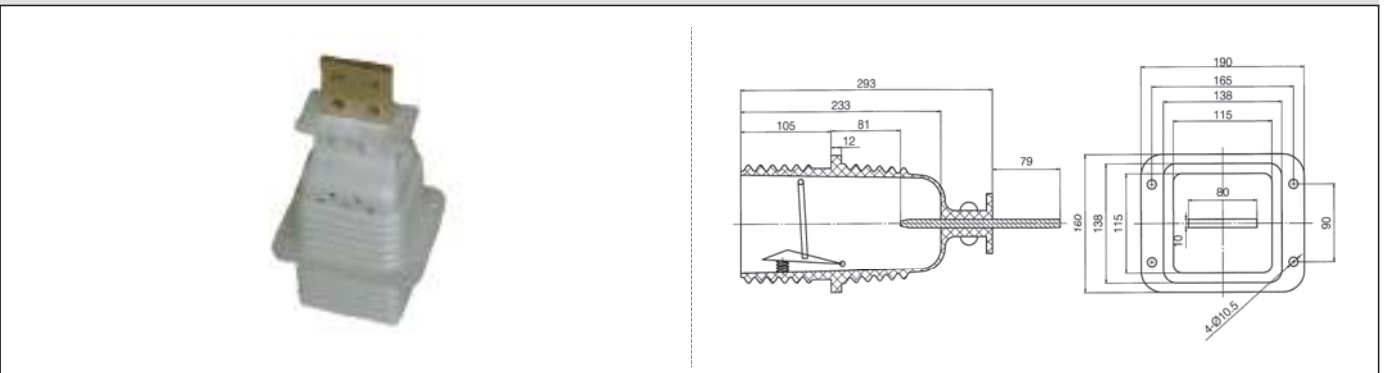
Model No.: LYC239 Name: Contact box



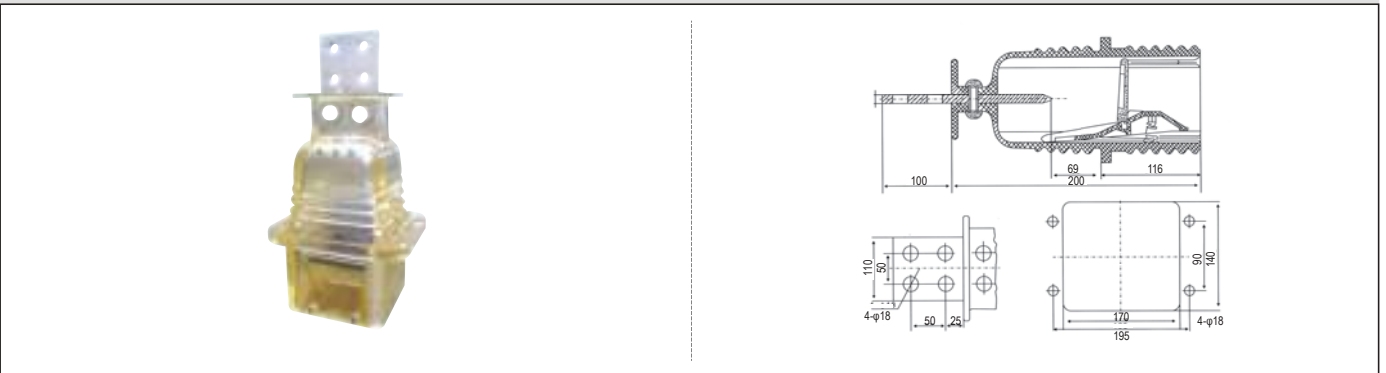
Model No.: LYC244 Name:Contact box



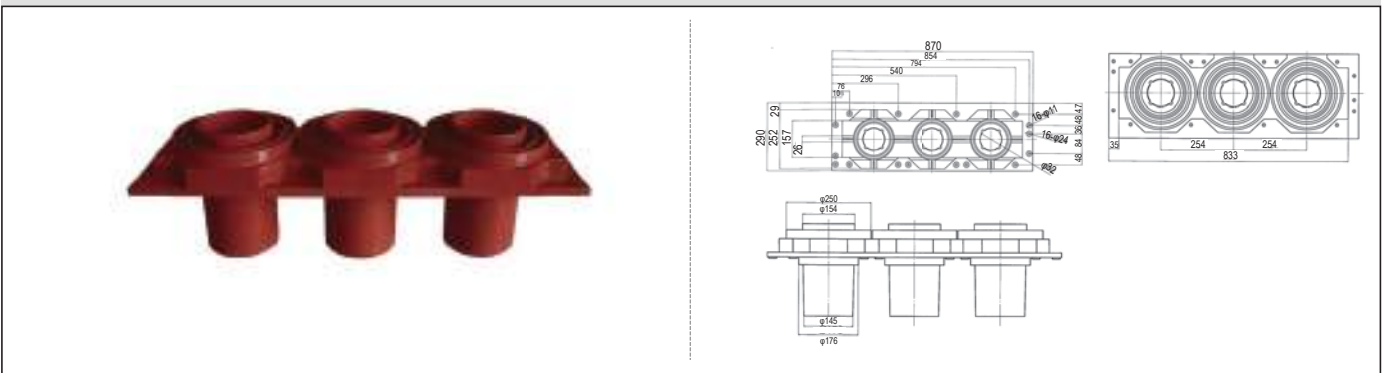
Model No.: LYC352 Name: Contact box



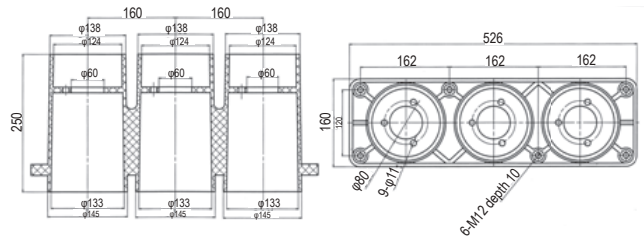
Model No.: LYC450 Name: Contact box



Model No.: LYC245 Name: Contact box

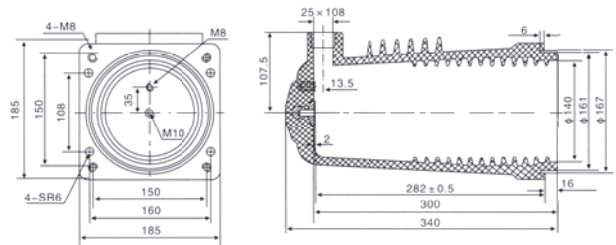


Model No. : LYC234 Name: Contact box(for KYN28 cabinetF,C circuit) Rated current:630A-3150A

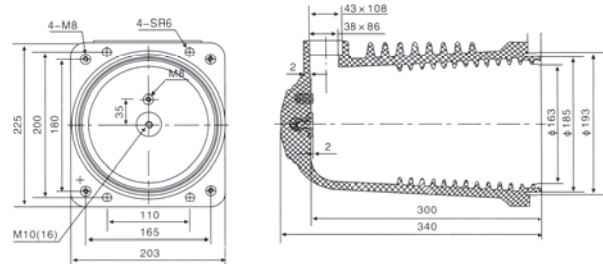


24kV CONTACT BOX SERIES


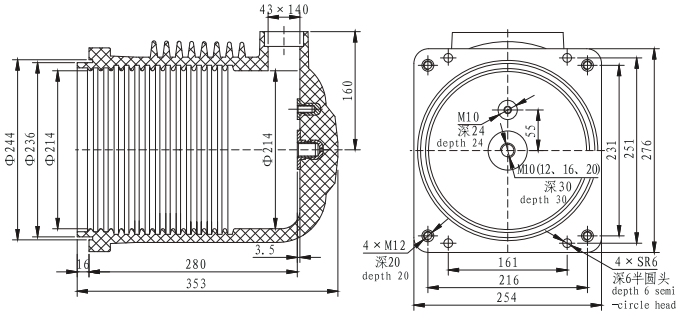
Model No.: LY107 Name: Contact box Rated current: ≤630A



Model No.: LY108 Name: Contact box Rated current: ≤630-1600A


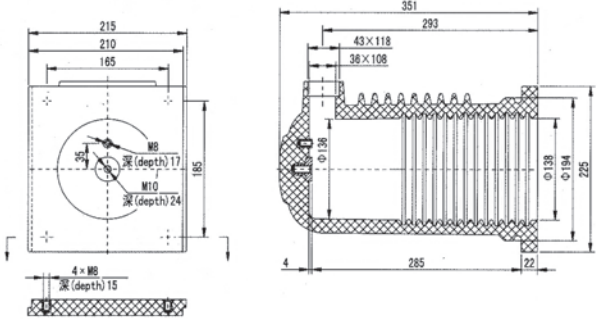


Model No.: LY115 Name: Contact box Rated current:2500-3150A

Technical drawing details for LY115:
 Side view dimensions: $\Phi 244$, $\Phi 236$, $\Phi 214$, $\Phi 214$, 43×140 , 160 , 280 , 353 , 3.5 .
 Front view dimensions: $M10$ (depth 24), $M10 \Phi 16, 20$ (depth 30), $4 \times M12$ (depth 20), $4 \times SR6$ (depth 6 semi-circle head), 254 , 216 , 161 , 231 , 276 .

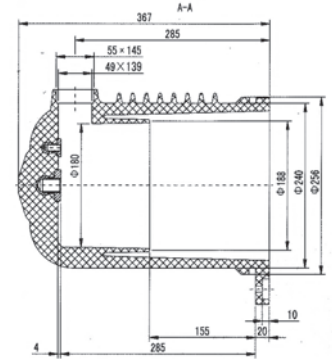
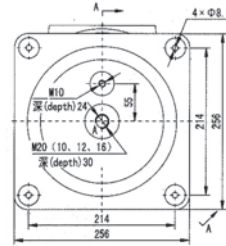
Model No.: LY116 Name: Contact box Rated current:2500-3150A

Technical drawing details for LY116:
 Side view dimensions: 215 , 210 , 165 , 165 , $M8$ (depth 17), $M10$ (depth 24), $4 \times M8$ (depth 15).
 Front view dimensions: 351 , 293 , 43×118 , 38×108 , $\Phi 108$, $\Phi 194$, 225 , 285 , 22 .

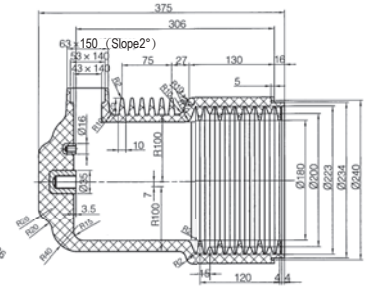
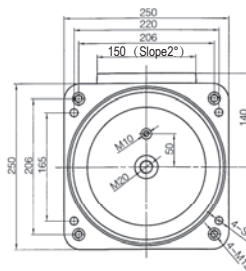
Rated short-time power frequency withstand volt	Rated lightning impulse withstand volt	partial discharge quantity	Creepage distance	Glass transition temperature (T _g)
65kV 1min	125kV	≤ 5pC	≥ 480mm	95°C ~105°C

Model No.: LY119 Name: Contact box Rated current:2500-3150A

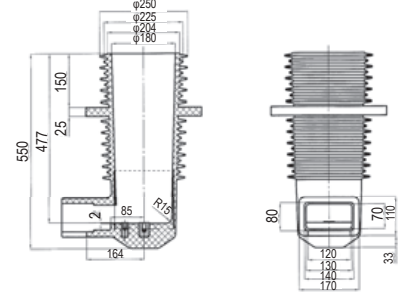
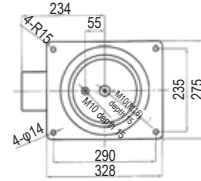


Rated short-time power frequency withstand volt	Rated lightning impulse withstand volt	partial discharge quantity	Creepage distance	Glass transition temperature (T _g)
65kV 1min	125kV	≤ 5pC	≥ 480mm	95°C ~105°C

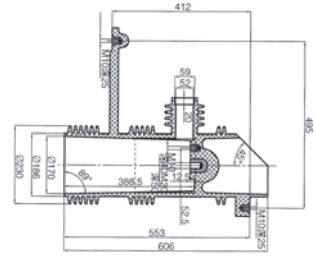
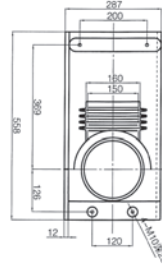
Model No.: LY109 Name: Contact box Rated current:≤2000-2500A



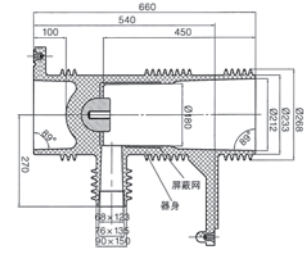
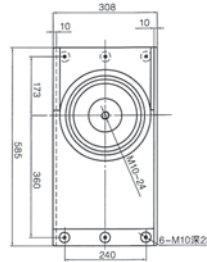
Model No.: LYC268 Name: Contact box



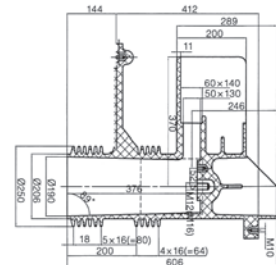
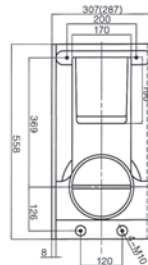
Model No.: LYC269 Name: Contact box



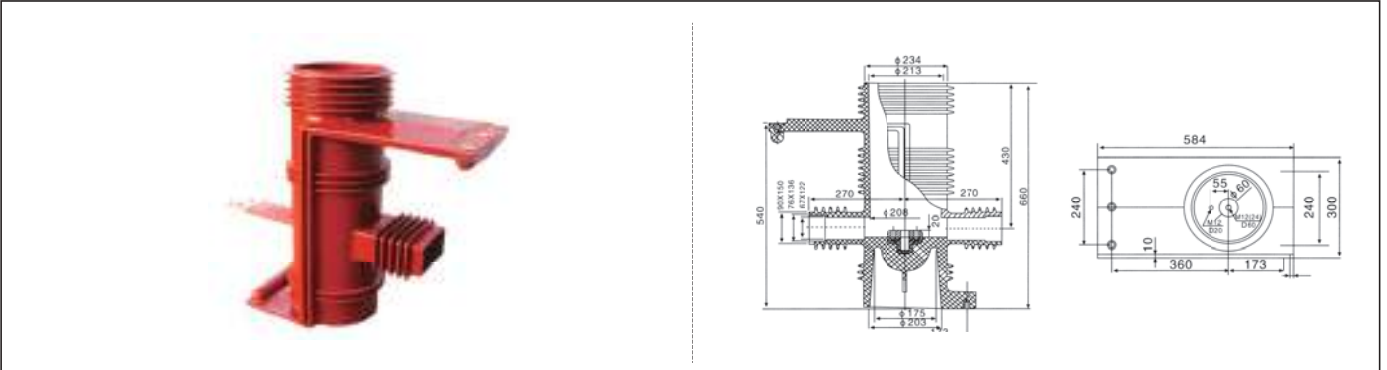
Model No.: LYC270 Name: Contact box



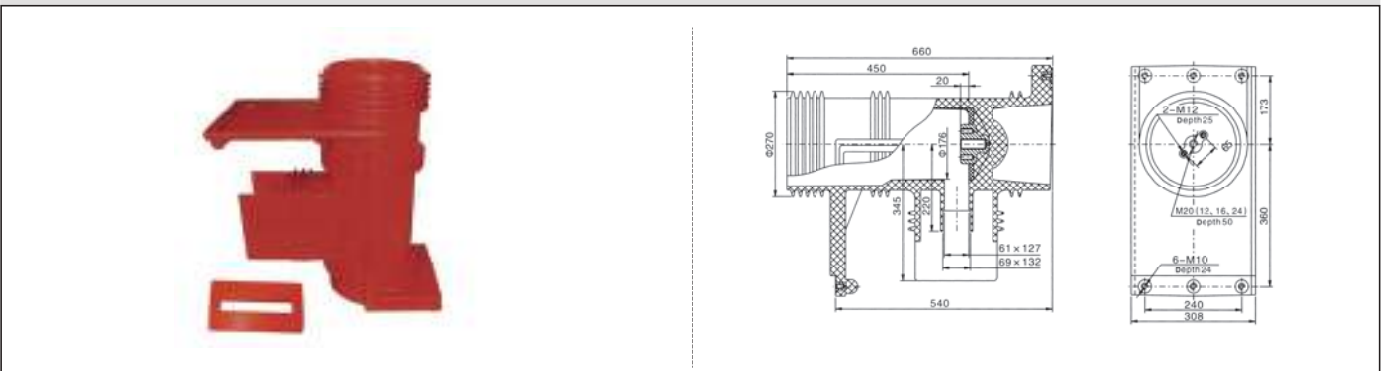
Model No.: LYC272 Name: contact box



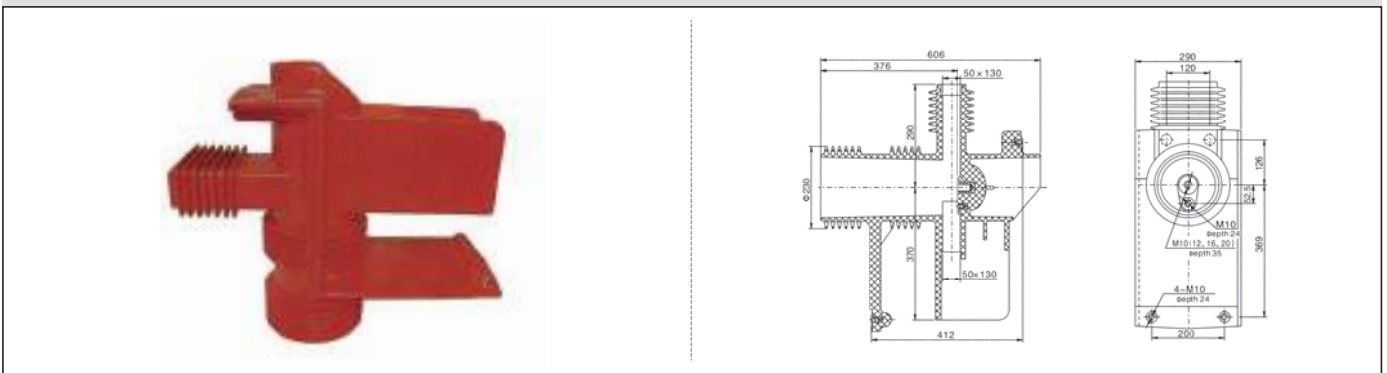
Model No.:LY111 Name:Contact box (Shielded)



Model No.:LY112 Name: Contact box (Shielded)



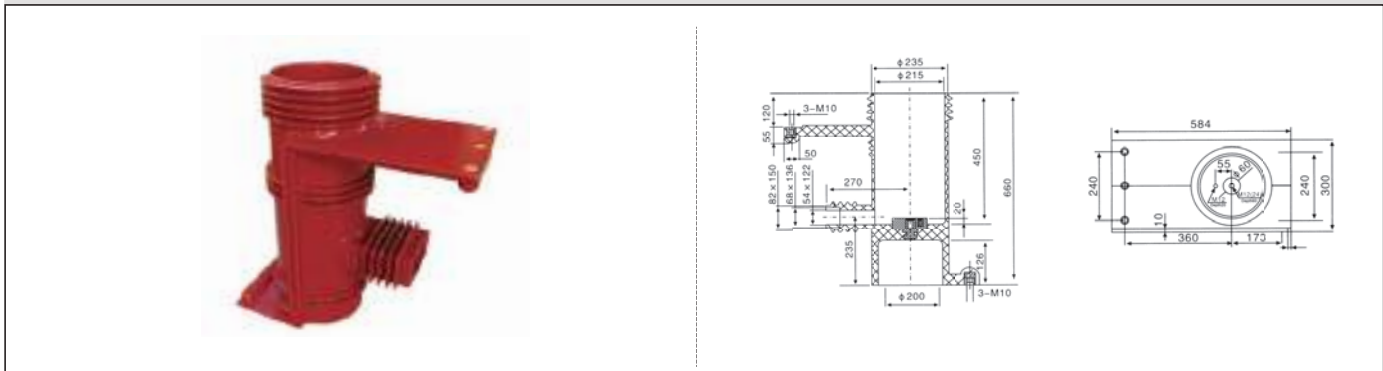
Model No.:LY113 Name:Contact box



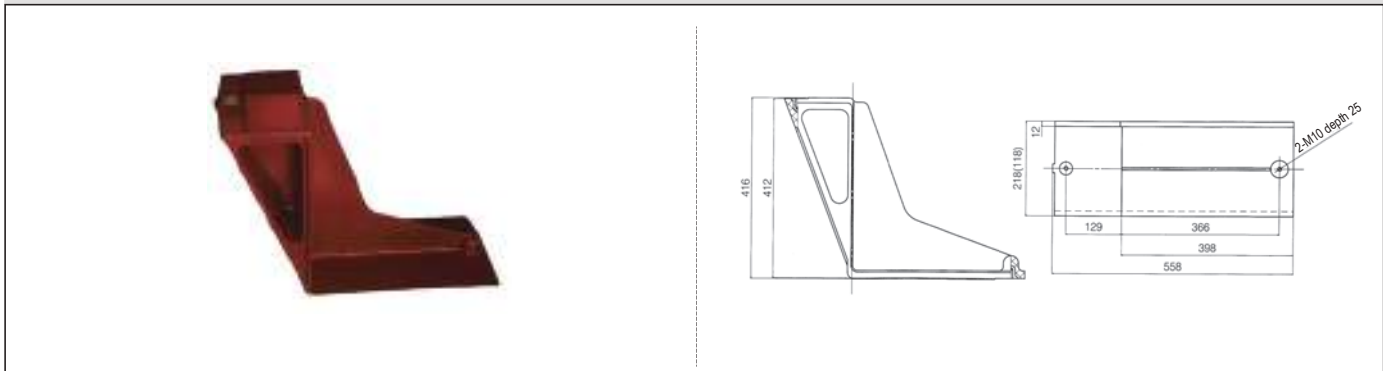
Model No.: LY121 Name: Contact box



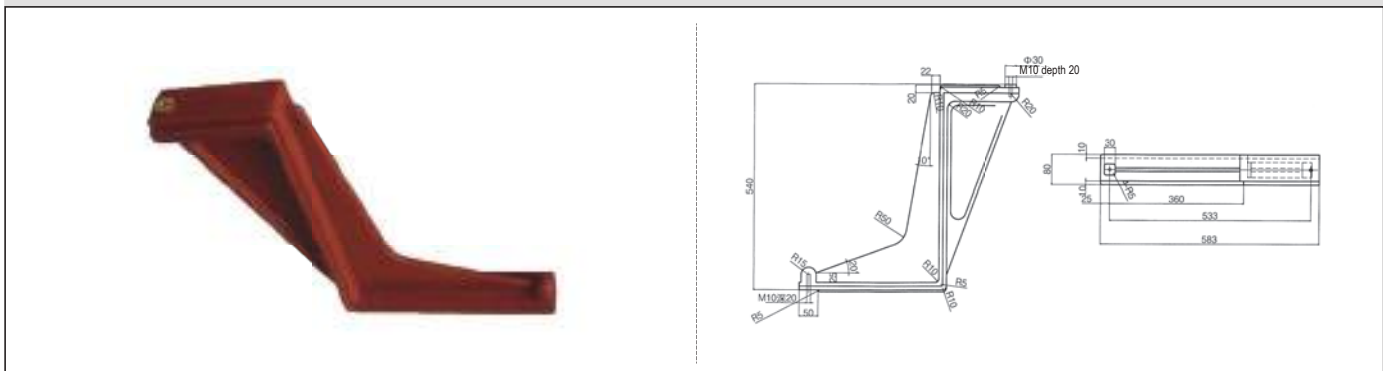
Model No.:LY110 Name: Contact box (Shielded)



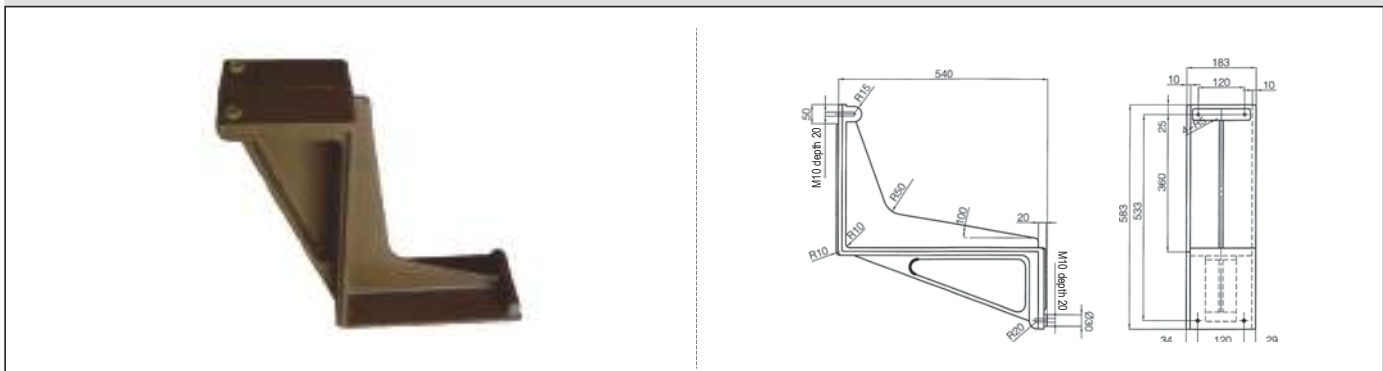
Model No.: LYC258(for1.4m cabinet) Name: Bending plate(ABB)



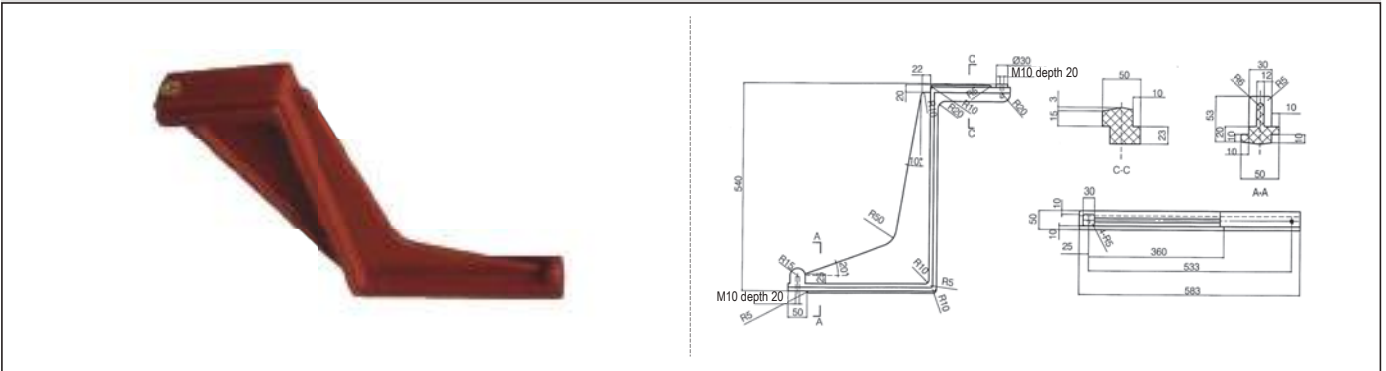
Model No.: LYC260 Name: Bending plate(for KYN61 cabinet)



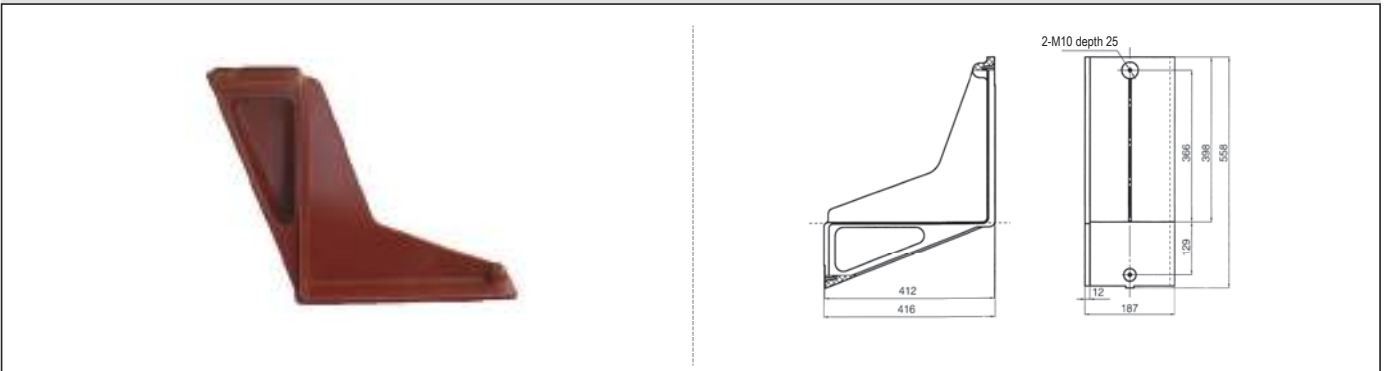
Model No.: LYC261(for 1.4m cabinet) Name: Bending plate(for KYN61 cabinet)



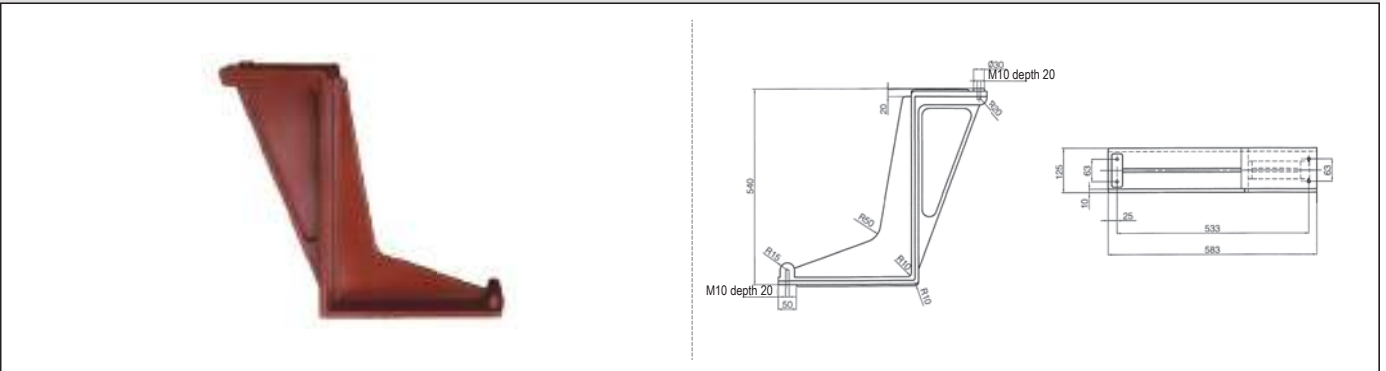
Model No.: LYC263 Name: Bending plate



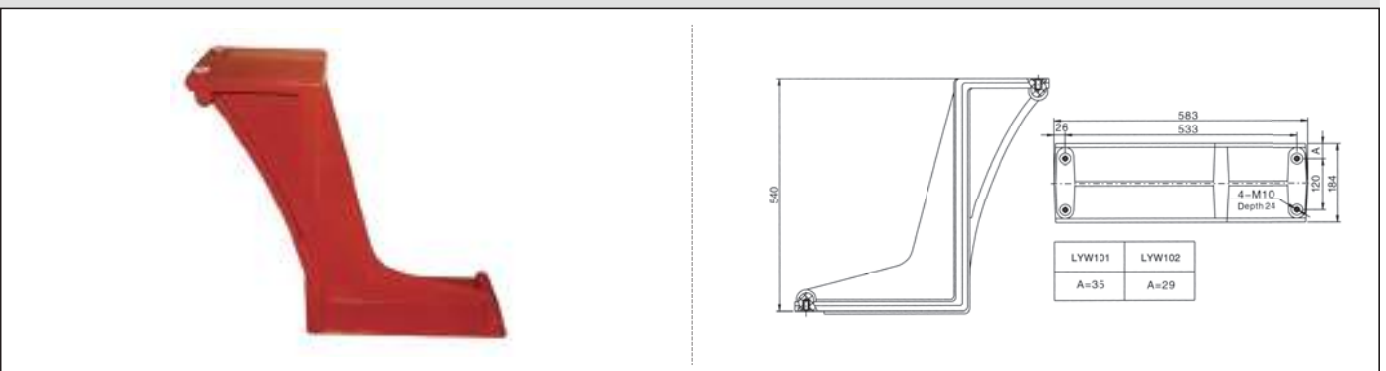
Model No.: LYC273 Name: Bending plate



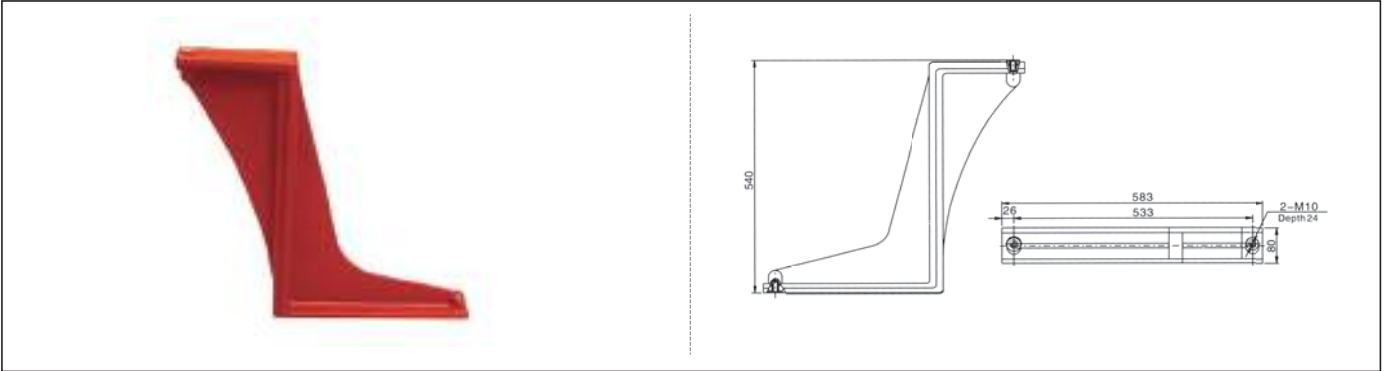
Model No.: LYC274 Name: Bending plate



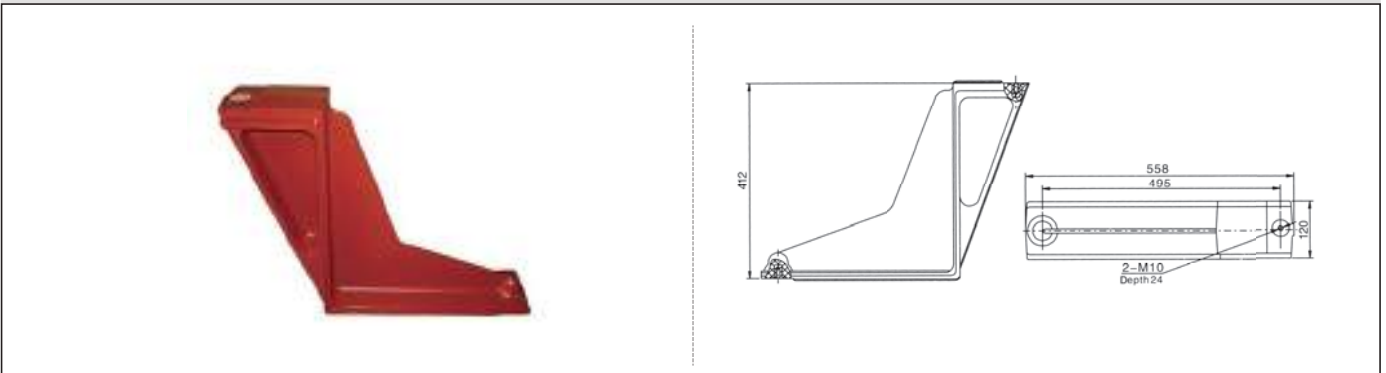
Model No.: LYW101/102 Name: Bending plate (For 1.4m switchgear)



Model No.: LYW103 Name:Bending plate (For 1.2m switchgear)

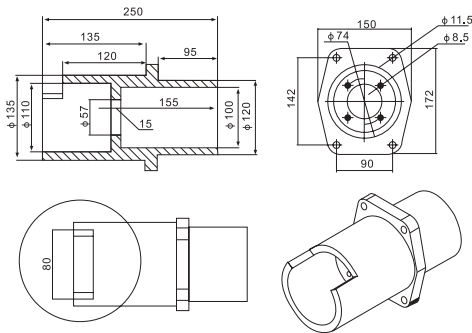


Model No.: LYW104 Name:Bending plate (For ABB switchgear)

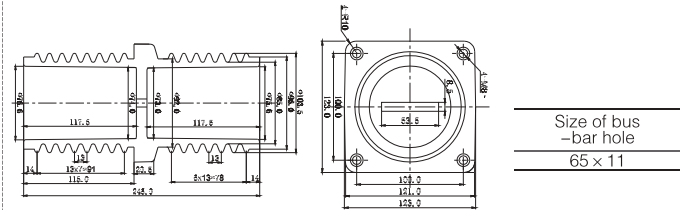


12KV BUSHING SERIES

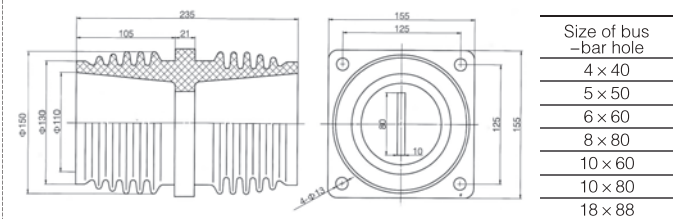
Model No.:LYC142 Name: TG3-12/90x142x250 Bushing



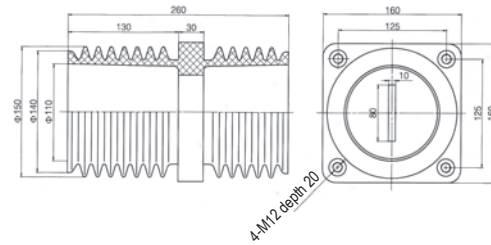
Model No.:LYC143 Name: TG3-12/100x100x260 Bushing



Model No.:LYC180 Name: Bushing

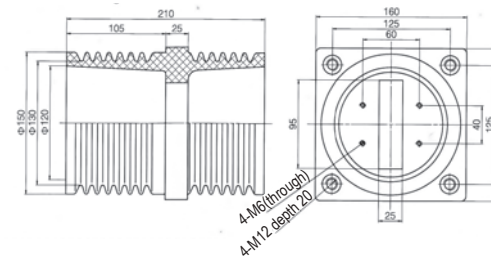


Model No.:LYC181 Name: Bushing



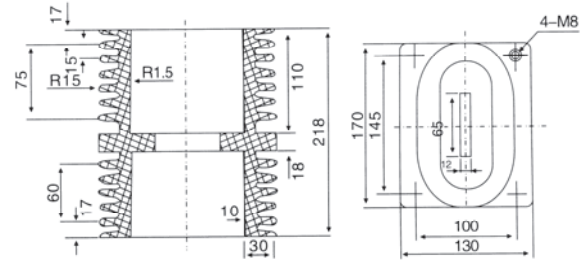
Size of bus-bar hole
6 × 60
8 × 80
16 × 86
15 × 70
30 × 80

Model No.:LYC182 Name: Bushing

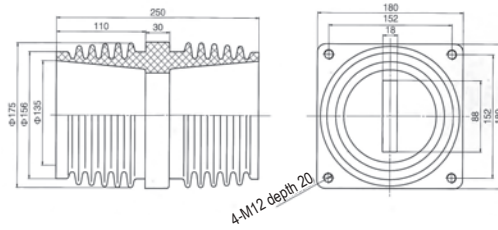


Size of bus-bar hole
6 × 60
10 × 60
10 × 80
18 × 70
18 × 88

Model No.:LYC144 Name: TG3-12/100x145x218 Bushing

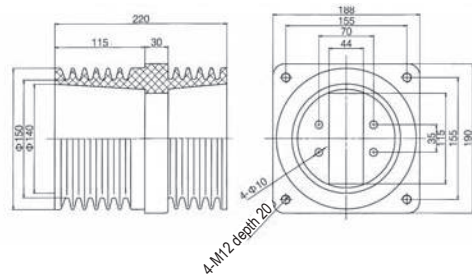


No.:LYC184 Name: Bushing



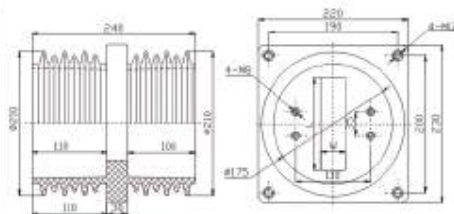
Size of bus-bar hole
6 × 60
10 × 60
10 × 80
18 × 70
18 × 88
18 × 108
18 × 88 × 2
18 × 108 × 2

No.:LYC185 Name: Bushing



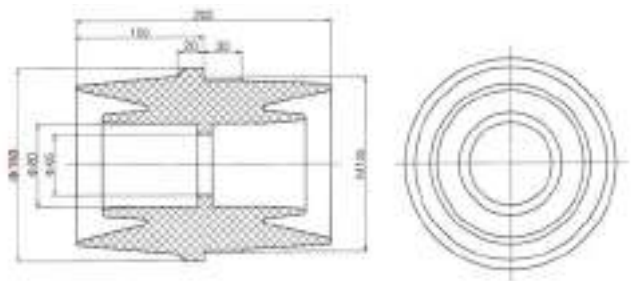
Size of bus-bar hole
8 × 60
8 × 80
10 × 60
10 × 80
18 × 108 × 2

No.:LYC186 Name: Bushing

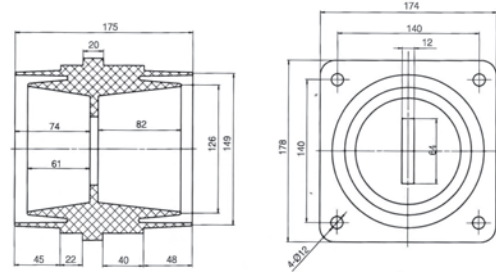


Size of bus-bar hole
130x78
135x36

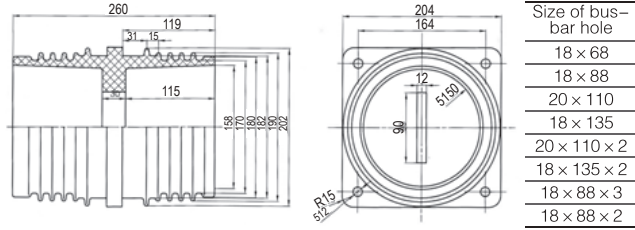
No.:LYC187 Name: Bushing



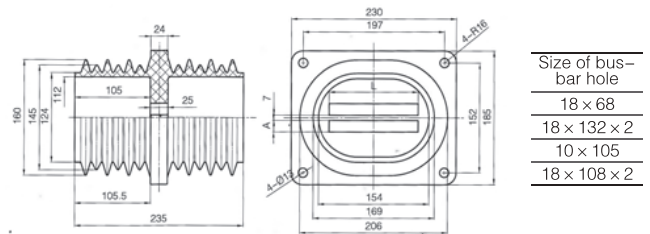
No.:LYC200 Name: Bushing



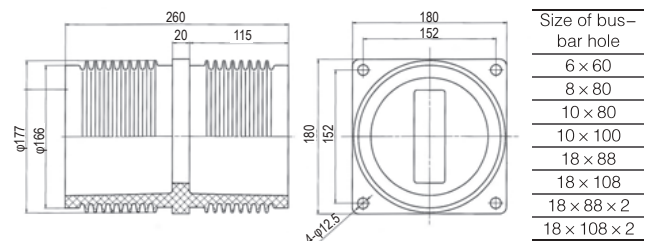
No.:LYC201 Name: Bushing



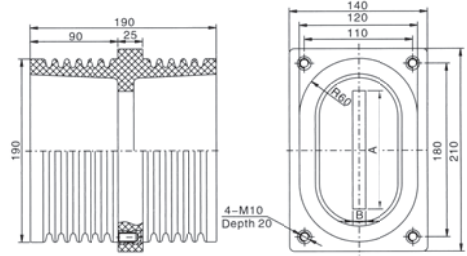
No.:LYC202 Name: Bushing



No.:LYC203 Name: Bushing

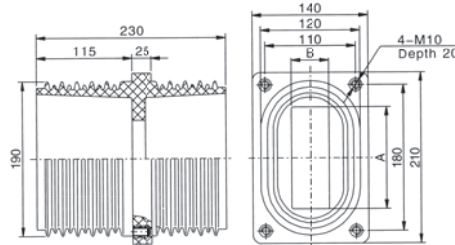


Model No.:LYC145 Name: TG3-12/110x180x190 Bushing



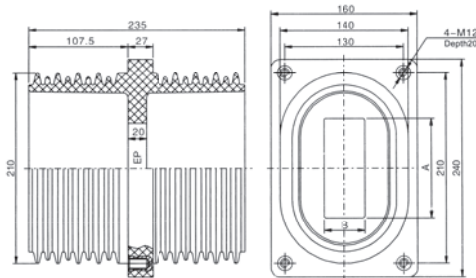
Size of bus-bar hole(A x B)	
63 x 10	
85 x 15	
110 x 18	
123 x 13	

Model No.:LYC146 Name: TG3-12/110x180x230 Bushing



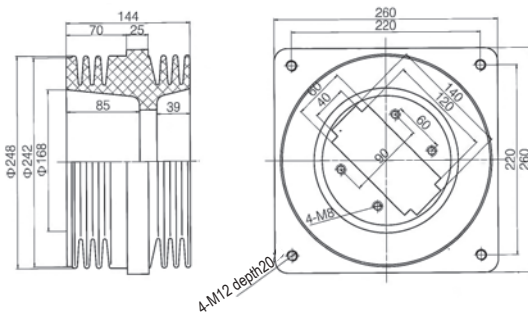
Size of bus-bar hole(A x B)	
57x11	110x40
63x11	127x18
66x14	128x18
68x18	132x18
80x40	134x18
85x15	136x43
88x18	108x18(dual)
105x13	128x18(dual)
108x18	132x18(dual)

Model No.:LYC147 Name: TG3-12/130x210x235 Bushing


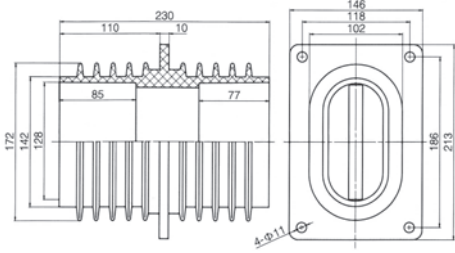


Size of bus-bar hole(A x B)	
110 x 45	
115 x 45	

Model No.:LYC192 Name: Bushing


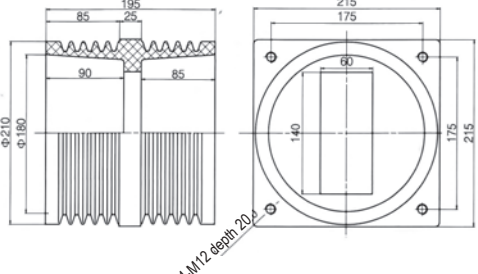


Model No.:LYC193 Name: Bushing


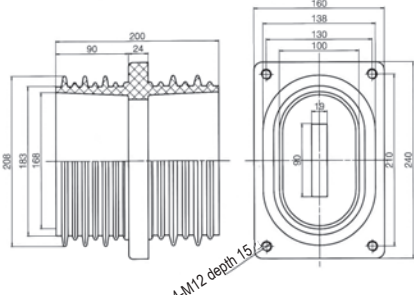
Size of bus-bar hole	
18 x 108	
15 x 125	

Model No.:LYC194 Name: Bushing


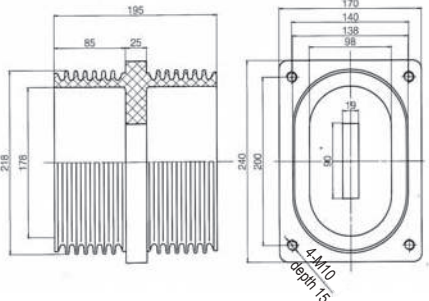
Size of bus-bar hole	
60 x 140	
30 x 110	

Model No.:LYC188 Name: Bushing

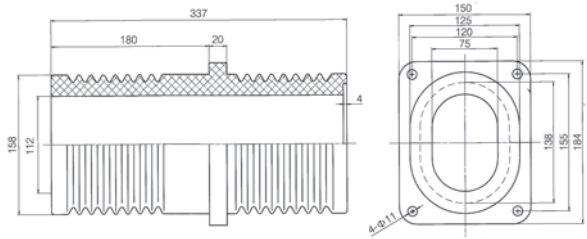
Size of bus-bar hole	
5x50	18x135x2
6x60	15x70
8x80	18x88
10x80	10x100x2
10x100	18x88x2
18x108	46x135
18x128	

Model No.:LYC189 Name: Bushing

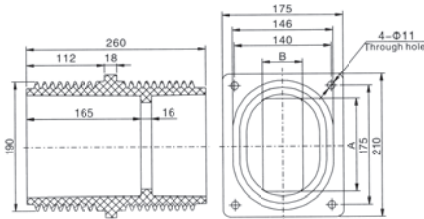



Size of bus-bar hole	
10 x 55	
12 x 85	
16 x 70	
18 x 88	
18 x 133	
18 x 108	
18 x 108 x 2	
18 x 135 x 2	
60 x 130	

Model No.:LYC191 Name: Bushing

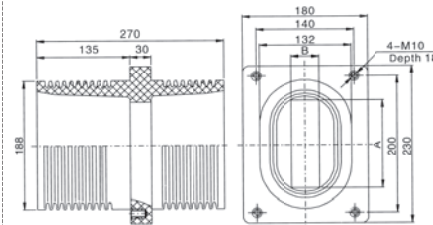


Model No.:LYC148 Name: TG3-12/140x175x260 Bushing



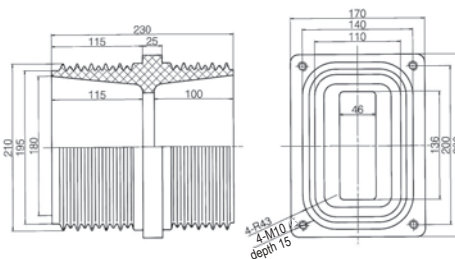
Size of bus-bar hole(A x B)	
63 x 11	
86 x 16	
128 x 60	
132 x 40	
83 x 11	
110 x 70	
130 x 60	
135 x 55	
137 x 48	

Model No.:LYC149 Name: TG3-12/140x200x270 Bushing



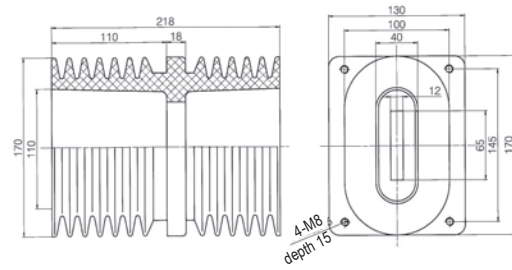
Size of bus-bar hole(A x B)	
50 x 14	108 x 18
53 x 8	110 x 40
63 x 9	123 x 13
85 x 15	85 x 15 (dual)
90 x 18	108 x 18 (dual)
106 x 36	123 x 13 (dual)

Model No.:LYC349 Name: Bushing



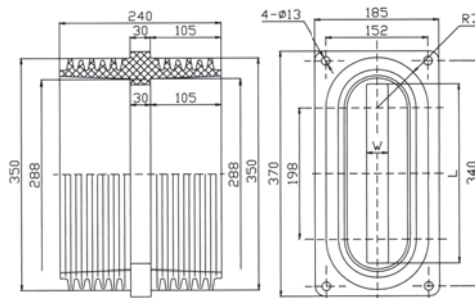
Size of bus-bar hole	
10 x 65	
12 x 85	
16 x 108	
18 x 90	
18 x 130	
14 x 88 x 2	
14 x 125 x 2	
15 x 105 x 2	
16 x 87 x 2	
22 x 135 x 2	

Model No.:LYC350 Name: Bushing



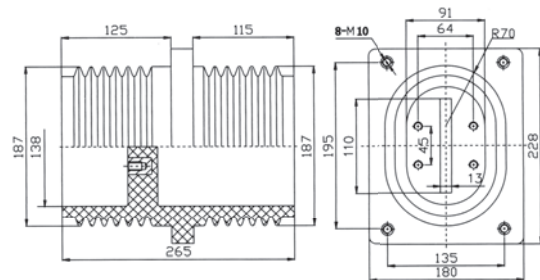
Size of bus-bar hole
12 × 65
12 × 85

Model No.:LYC451 Name: Bushing

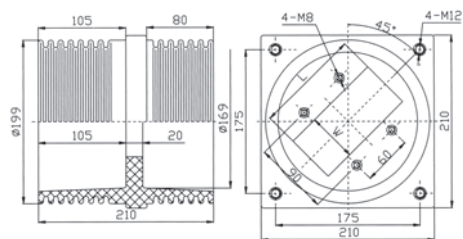


No.	L × W
A	270 × 32
B	255 × 60

Model No.:LYC452 Name: Bushing

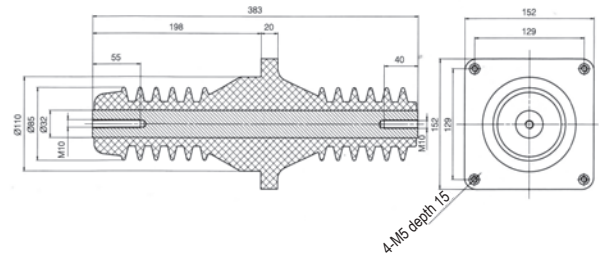


Model No.:LYC453 Name: Bushing

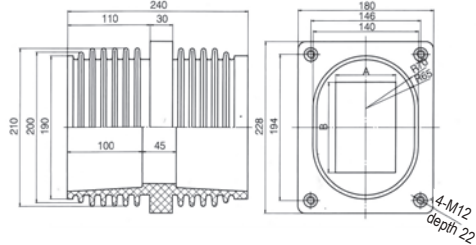


No.	L × W
A	120 × 10 × 2
B	120 × 10 × 3

Model No.:LYC196 Name: Bushing

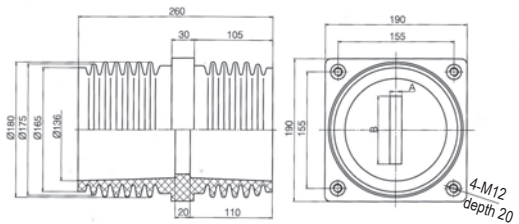


Model No.:LYC197 Name: Bushing



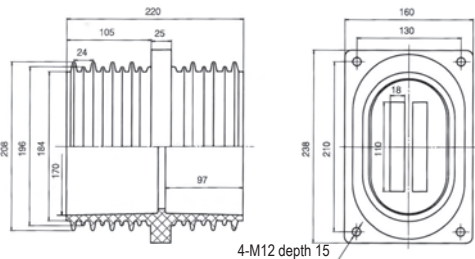
Size of bus-bar hole
8 x 80
20 x 90
20 x 110
40 x 110
46 x 138
60 x 110
44 x 130
60 x 130

Model No.:LYC198 Name: Bushing



Size of bus-bar hole
18 x 90
20 x 90
10 x 120
60 x 110
70 x 90

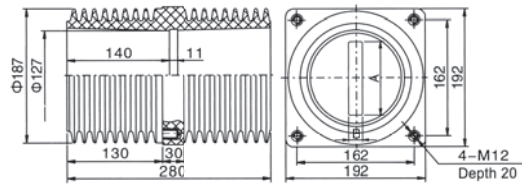
Model No.:LYC199 Name: Bushing



Size of bus-bar hole
15 x 70
18 x 88
18 x 108
18 x 133
18 x 110 x 2
18 x 133 x 2
18 x 128 x 2
18 x 133 x 3

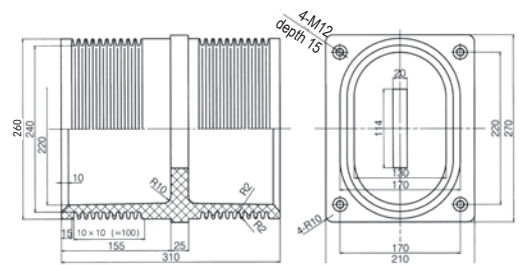
24KV BUSHING SERIES

Model No.:LYC150 Name: TG3-24/162x162x280 Bushing



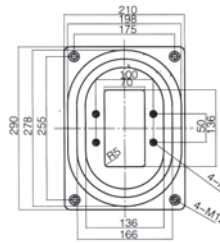
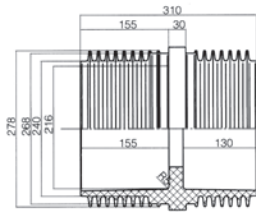
Size of bus-bar hole(A x B)
66 x 16
86 x 16
88 x 18
86 x 16 (dual)

Model No.:LYC204 Name: Bushing



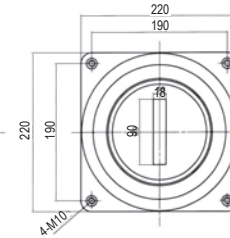
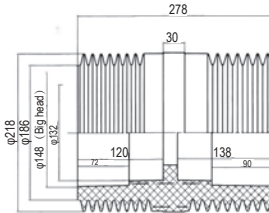
Size of bus-bar hole
10 x 60
6 x 60
15 x 70
20 x 70
8 x 80
10 x 80
18 x 108
18 x 88
18 x 108 x 2

Model No.:LYC205 Name: Bushing



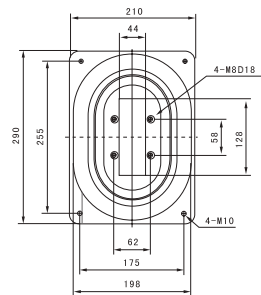
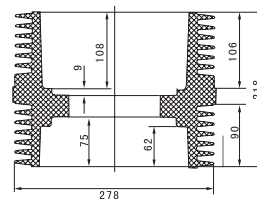
Size of bus-bar hole
35 × 130
40 × 110
40 × 120
40 × 130
42 × 125
42 × 135
45 × 130
45 × 120
50 × 130

Model No.:LYC210 Name: Bushing

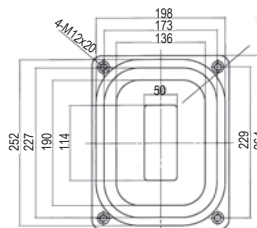
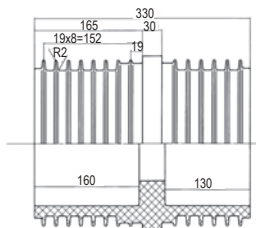


Size of bus-bar hole
18 × 90
20 × 110
20 × 90 × 2

Model No.:LYC152 Name: TG3-24/175x255x218 Bushing

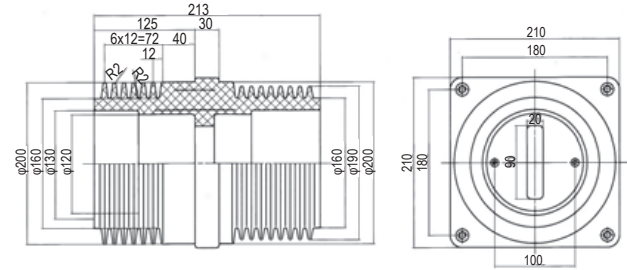


Model No.:LYC211 Name: Bushing

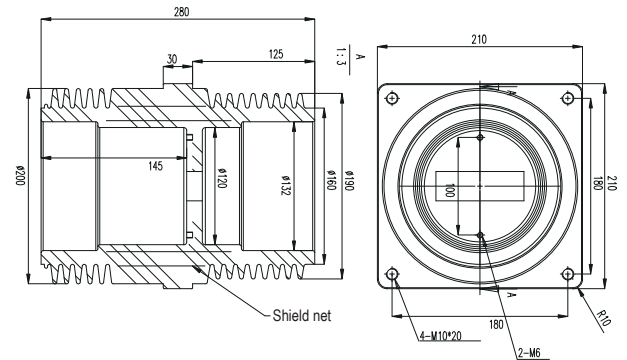


Size of bus-bar hole
50 × 115

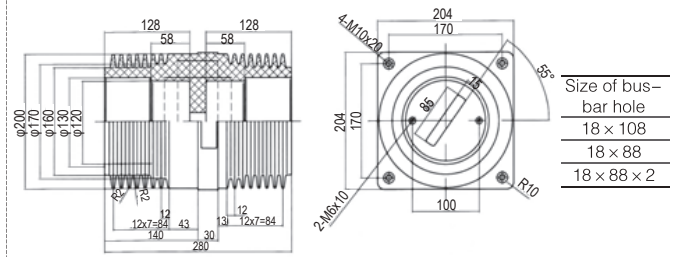
Model No.:LYC213 Name: Bushing



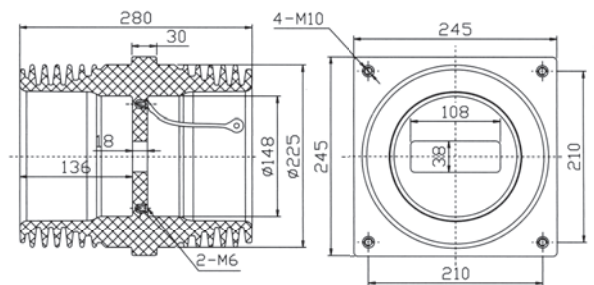
Model No.:LYC454 Name: Bushing



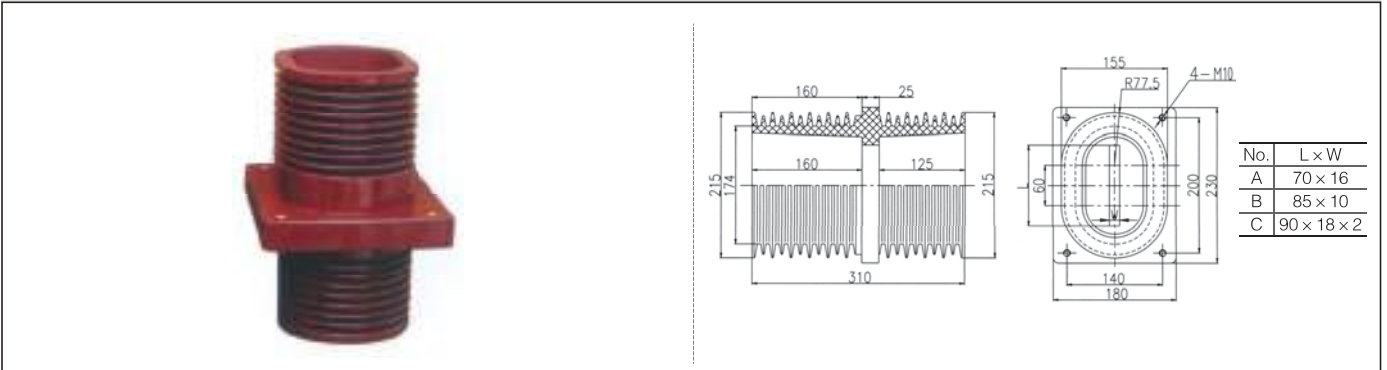
Model No.:LYC455 Name: Bushing



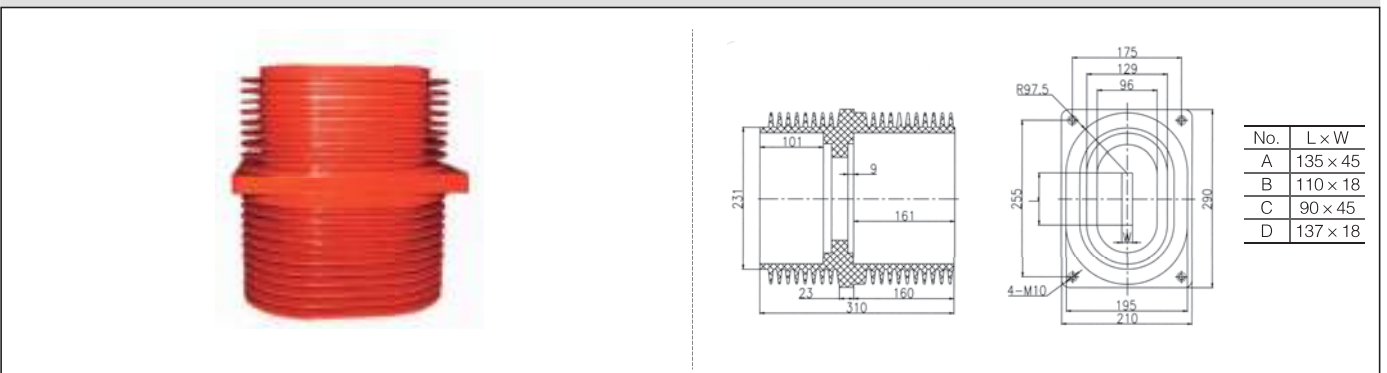
Model No.:LYC456 Name: Bushing



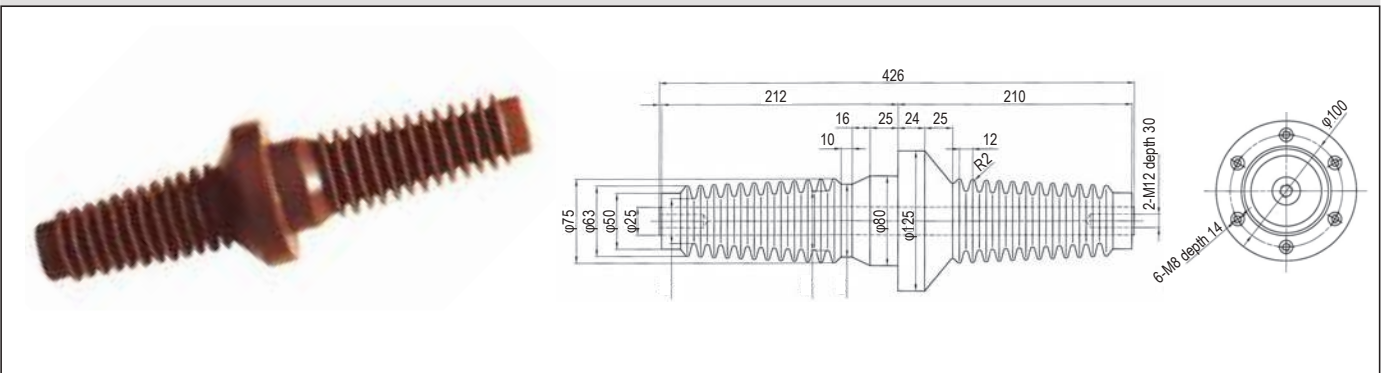
ModelNo.:LYC457 Name: Bushing



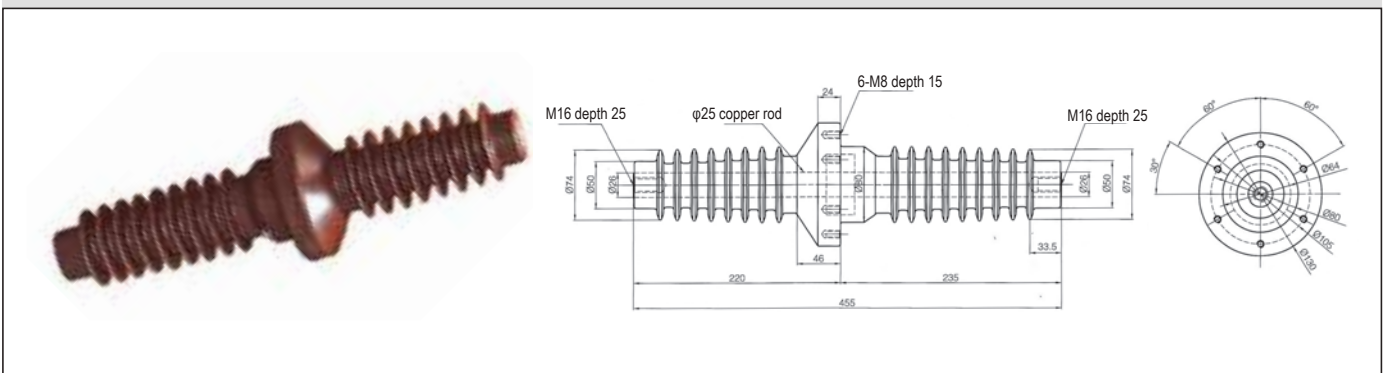
ModelNo.:LYC458 Name: Bushing



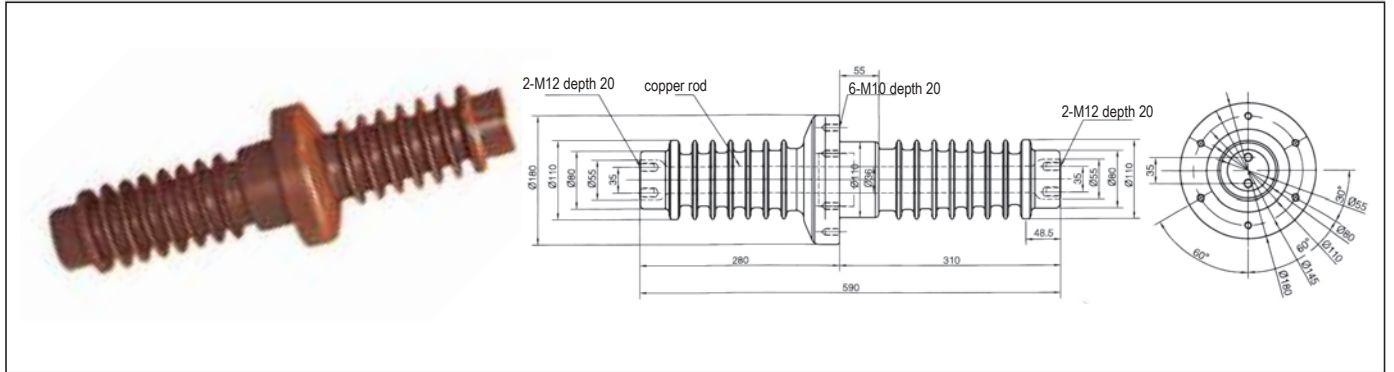
Model No.:LYC206 Name: Bushing



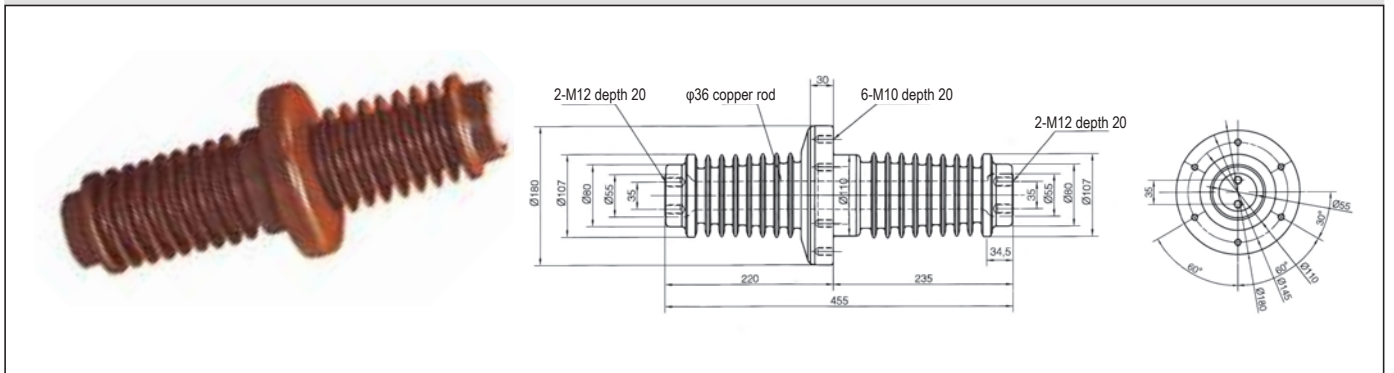
Model No.:LYC207 Name: Bushing



Model No.:LYC209 Name: Bushing

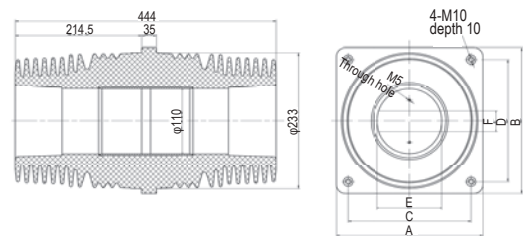


Model No.:LYC208 Name: Bushing



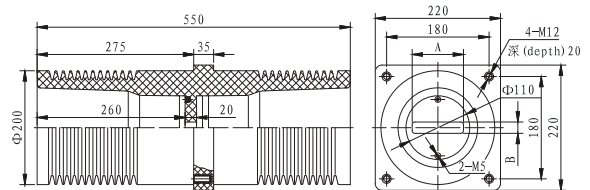
40.5KV BUSHING SERIES

Model No.:LYC153 Name: TG3-40.5/AxBx444 Bushing



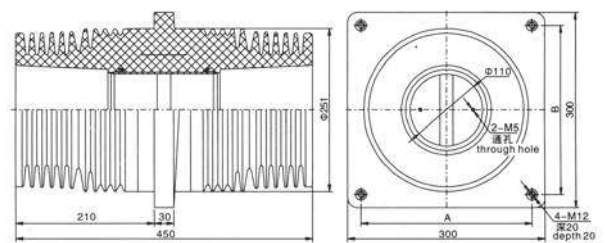
Outlet dimension (A × B)	268 × 252.8	250 × 250	250 × 250	260 × 260
Installation size (C × D)	210 × 190	200 × 200	210 × 210	220 × 220

Model No.:LYC154 Name: TG3-40.5/AxBx550 Bushing

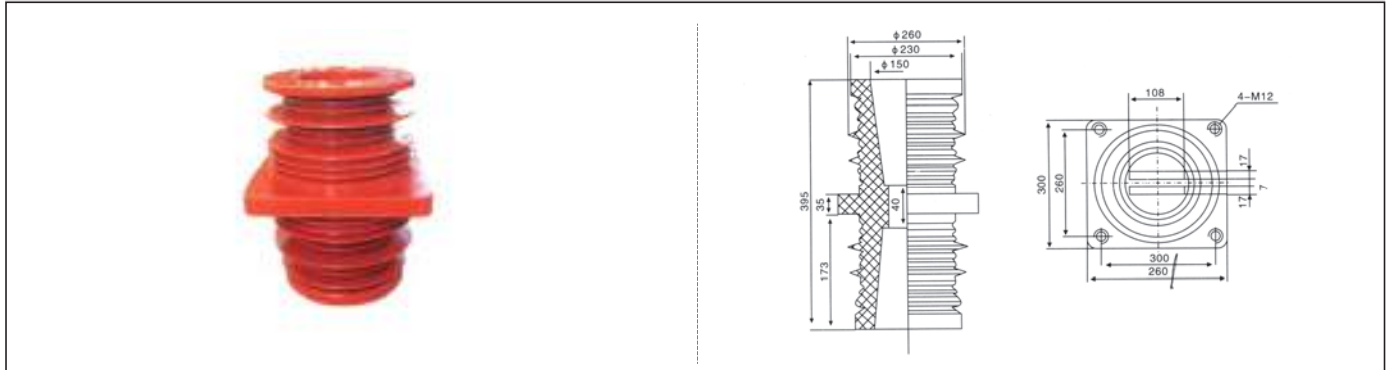


Size of bus-bar hole(AxB)
70x20
70x40
90x20
φ110x20
φ110x40
φ110

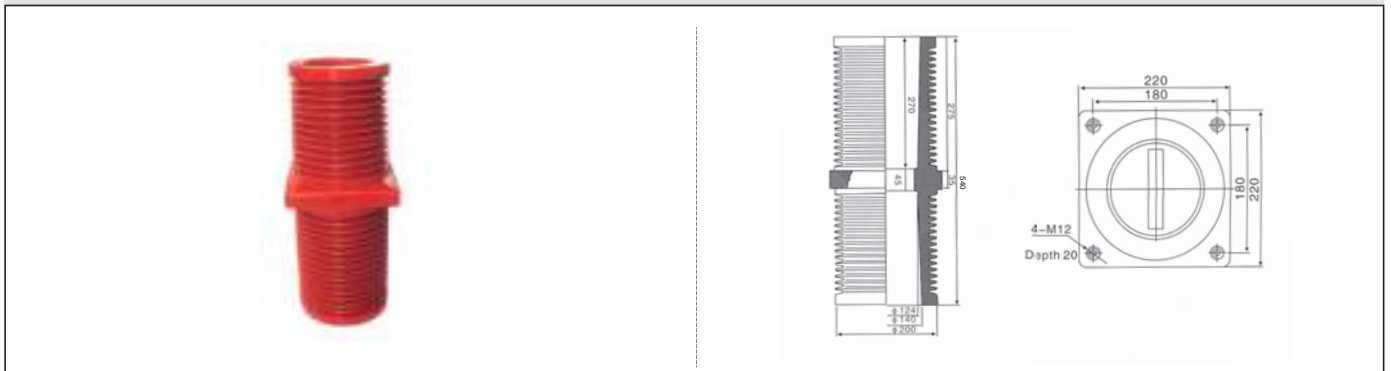
Model No.:LYC156 Name: TG3-40.5/AxBx450 Bushing



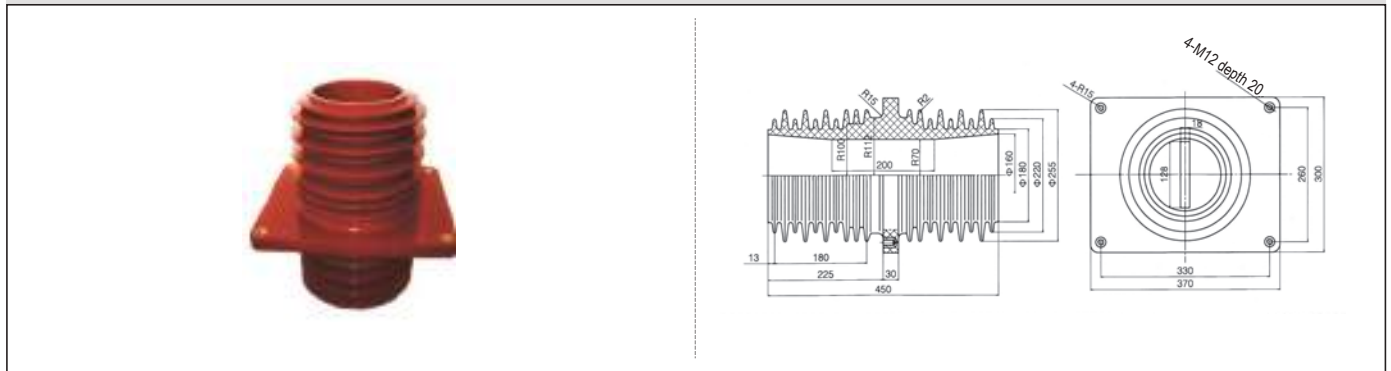
Model No.:LYC459 Name: Bushing



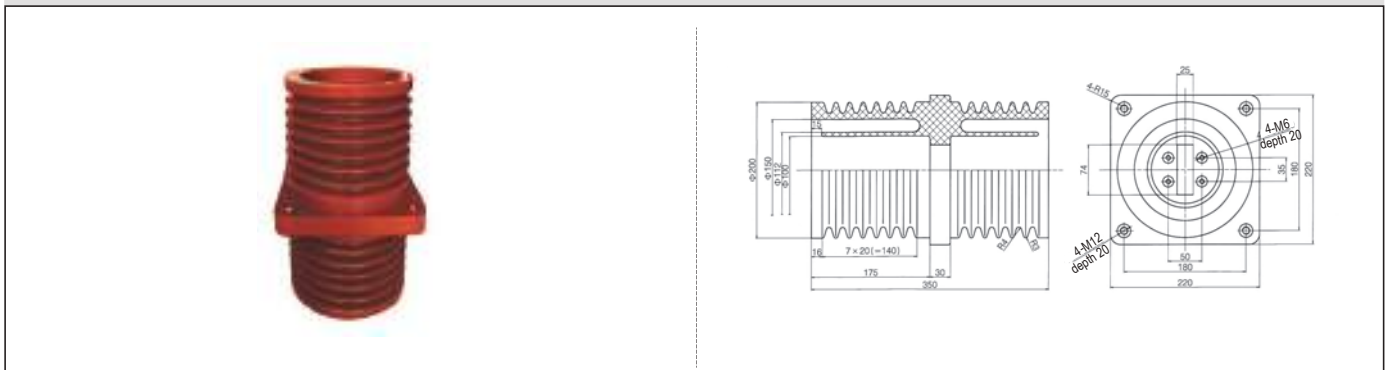
Model No.:LYC460 Name: Bushing



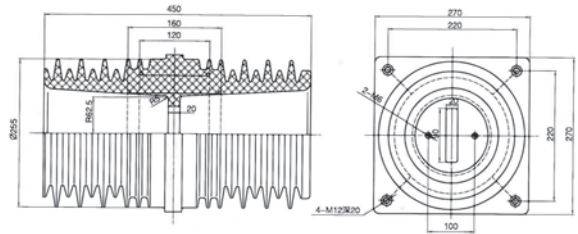
Model No.:LYC215 Name: Bushing



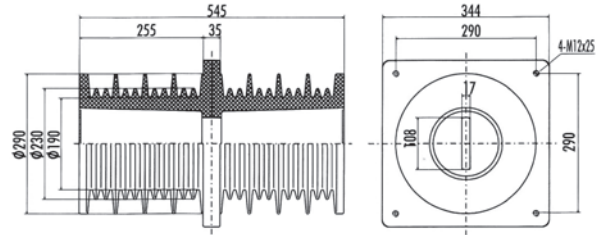
Model No.:LYC220 Name: Bushing



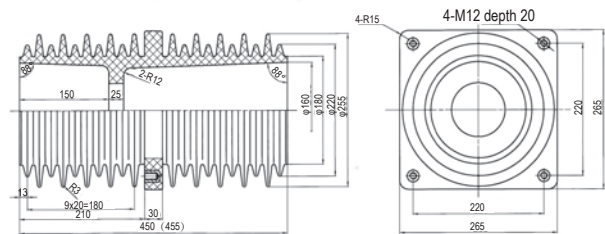
Model No.:LYC225 Name: Bushing



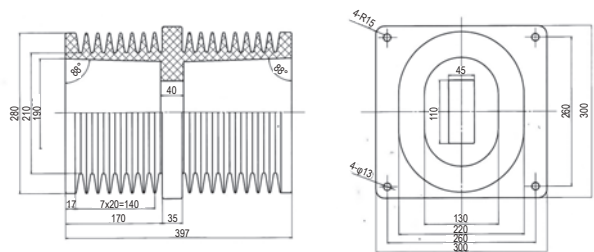
Model No.:LYC221 Name: Bushing



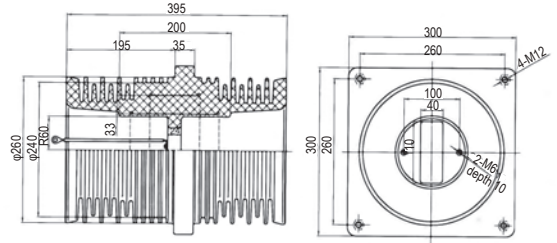
Model No.:LYC216 Name: Bushing



Model No.:LYC217 Name: Bushing


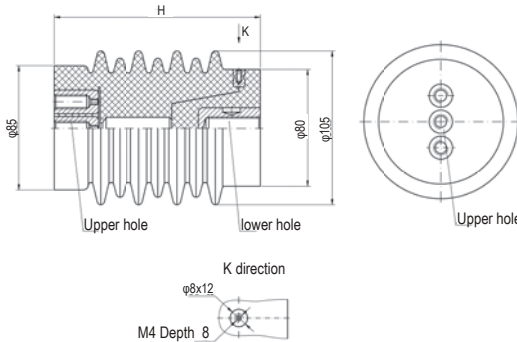


Model No.:LYC226 Name: Bushing



12KV INSULATOR SENSOR SERIES

Model No.:LYC113 Name:ZJ-12/φ105x135~155 Insulator(Sensor)


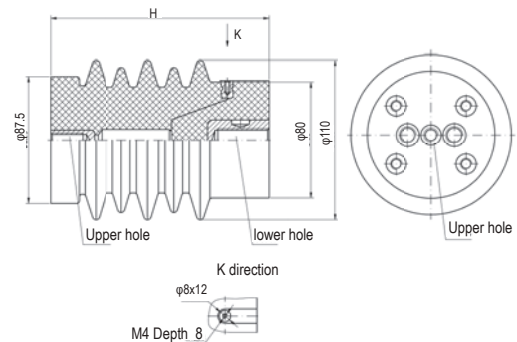



Upper hole	Insert quantity	Lower hole	Insert quantity
2-M10/KJ36	2	Single M16	1
2-M10/KJ40	3		
Middle M16/Side KJ50 /2-M10KJ50/2-M10	3		
3-M10/KJ36	1		

Height H
140
145
150
155

K direction
φ8x12
M4 Depth 8

Model No.:LYC114 Name:ZJ-12/φ105x135~155 Insulator(Sensor)


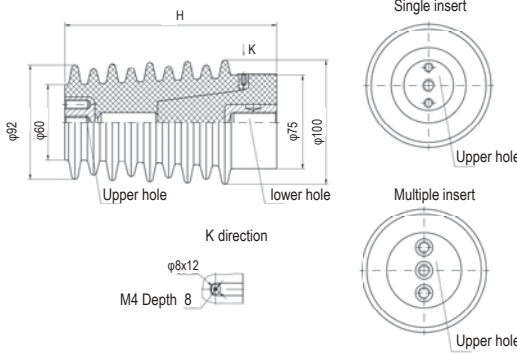



Upper hole	Insert quantity	Lower hole	Insert quantity
KJ40 × 48/MiddleM12 Side-M8	5	Single M16	1
KJ40 × 48/4-M8/MiddleKJ32/ Middle M10Side-M12	7		

Height H
140
155

K direction
φ8x12
M4 Depth 8

Model No.: LYC115 Name:ZJ-12/φ100x170 Insulator(Sensor)


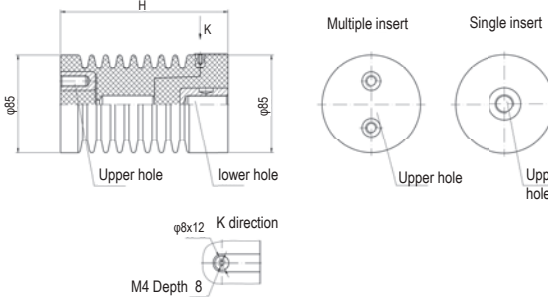
Upper hole	Insert quantity	Lower hole	Insert quantity
Single M16	1		1
MiddleM10/Side KJ28/2-M8	1		
3-M10/KJ36	3		
Single M16	3		

Height H
160
170

K direction
φ8x12
M4 Depth 8

Single insert
Upper hole
Multiple insert
Upper hole


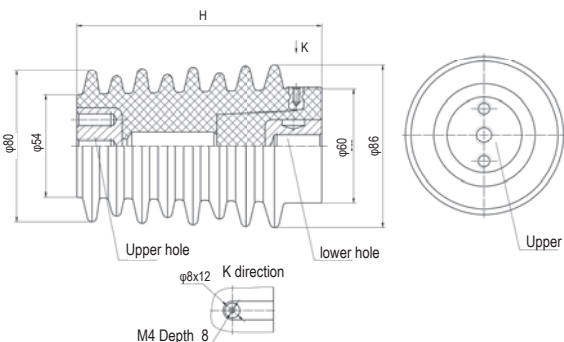
Model No.: LYC116 Name:CG-12/φ82x130~145 Insulator(Sensor)

Upper hole	Insert quantity	Lower hole	Insert quantity
Single M16	1	Single M16	1
Single M20	1	Single M16	1
Single M12	1	Single M16	1
2-M8/KJ36	2		
2-M8/KJ40	2		
2-M8/KJ46	2		
2-M10/KJ36	2		
2-M10/KJ40	2		
2-M10/KJ46	2		

Height H
130
140
145

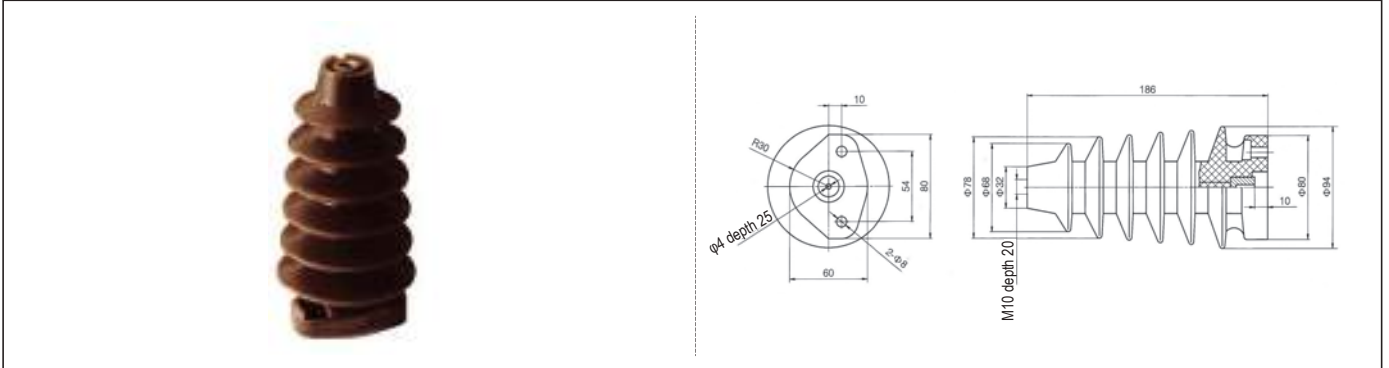
Model No.:LYC117 Name:CG-12/φ84x125~130 Insulator(Sensor)

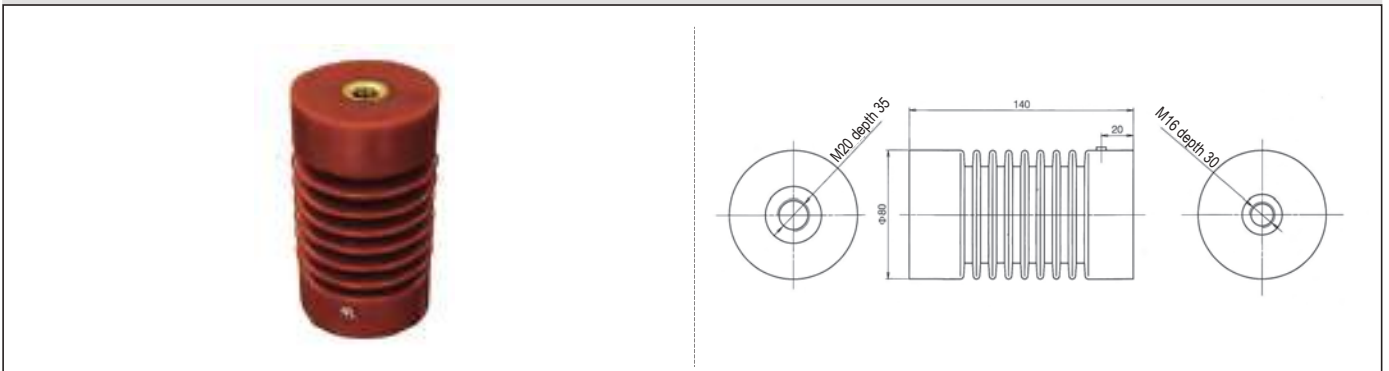
Upper hole	Insert quantity	Lower hole	Lower hole
φ 40 × 24/ MiddleM10	1	Single M16	1
Side hole distance 28/2-M8	1	Single M12	1

Height H
125
130

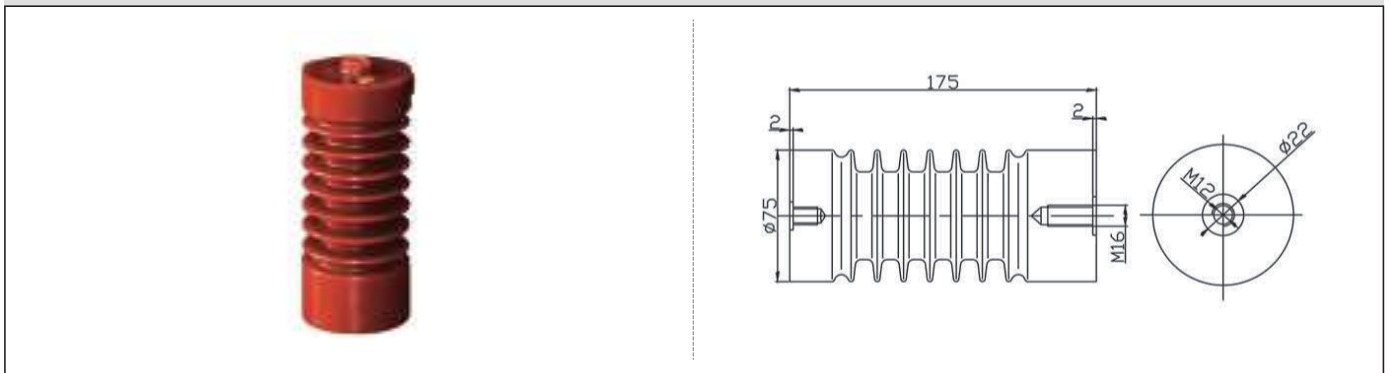
Model No.:LYC353 Name: Insulator(Sensor)



Model No.:LYC354 Name: Insulator(Sensor)

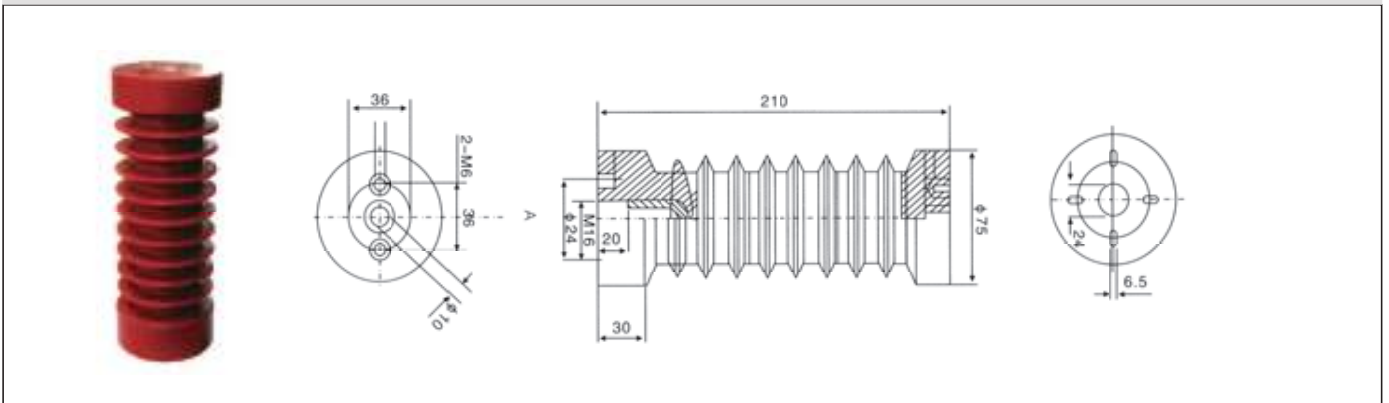


Model No.:LYC355 Name: Insulator(Sensor)

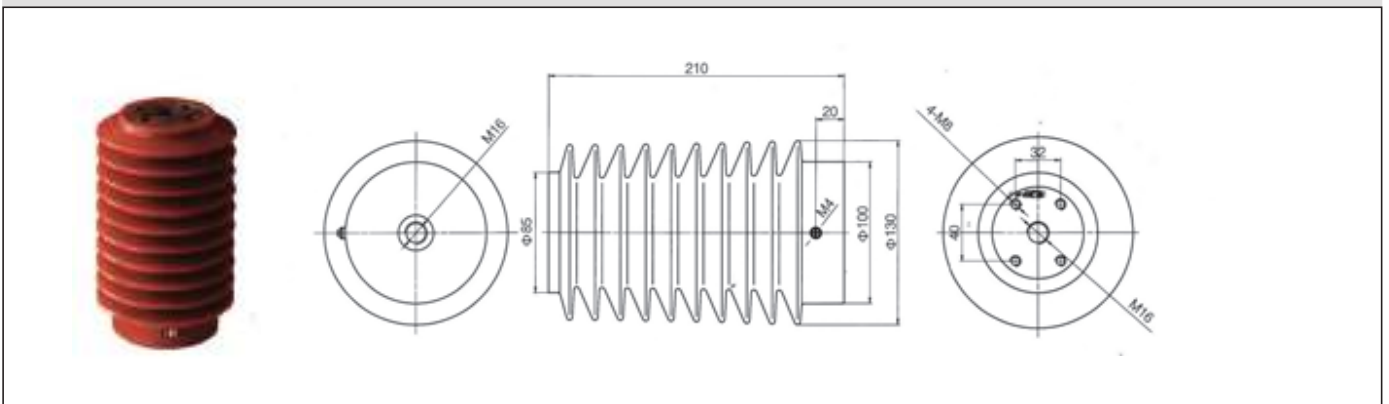


24KV INSULATOR SENSOR SERIES

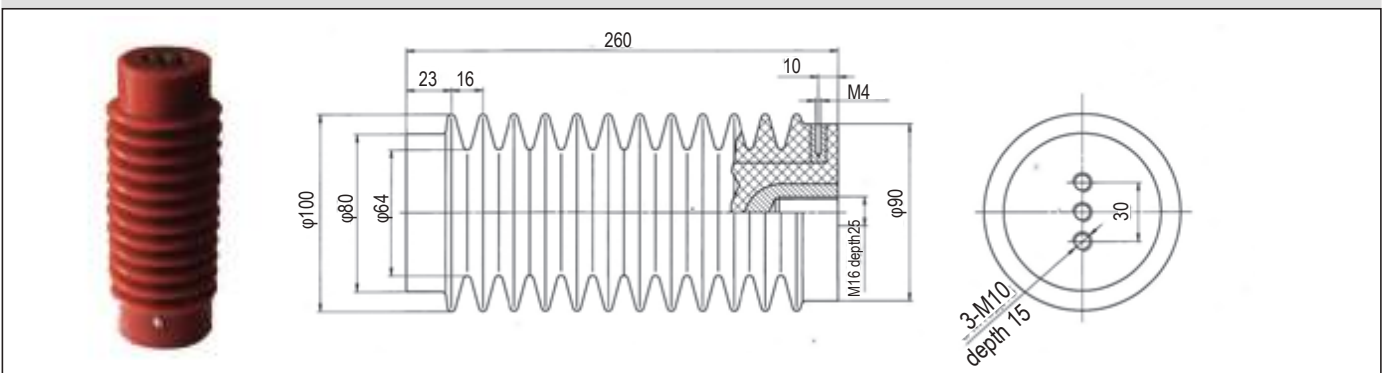
Model No.:LYC129 Name:ZJ-24/φ75x210 Insulator(Sensor)



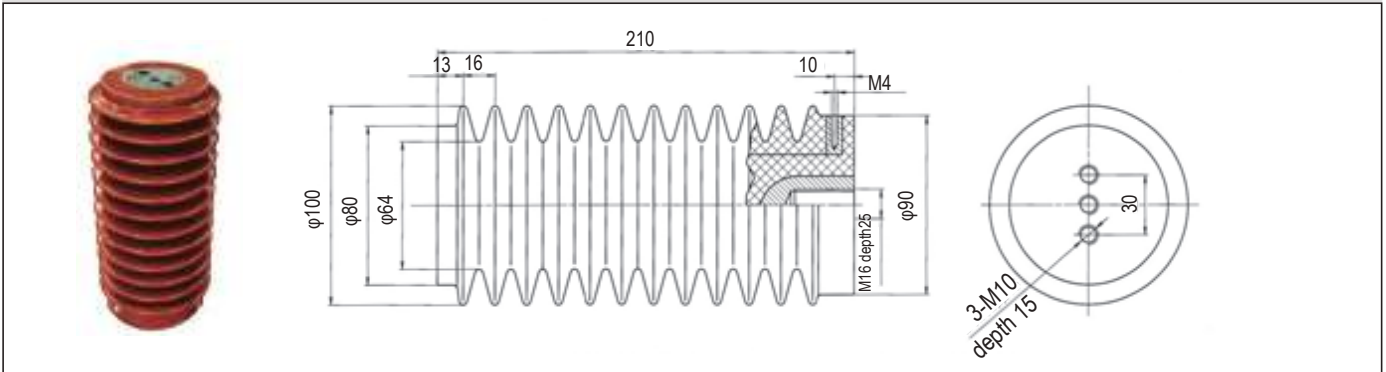
Model No.:LYC356 Name: Insulator(Sensor)



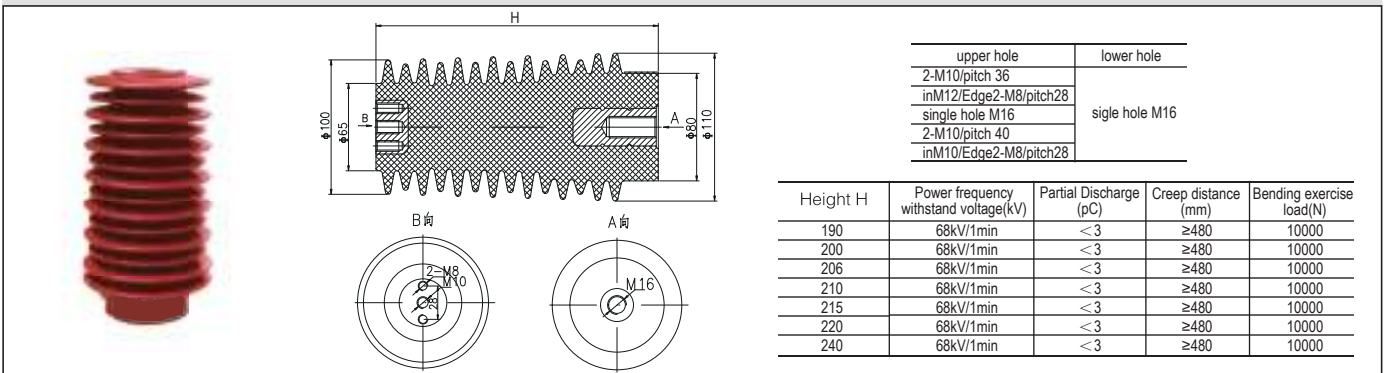
Model No.:LYC357 Name: Insulator(Sensor)



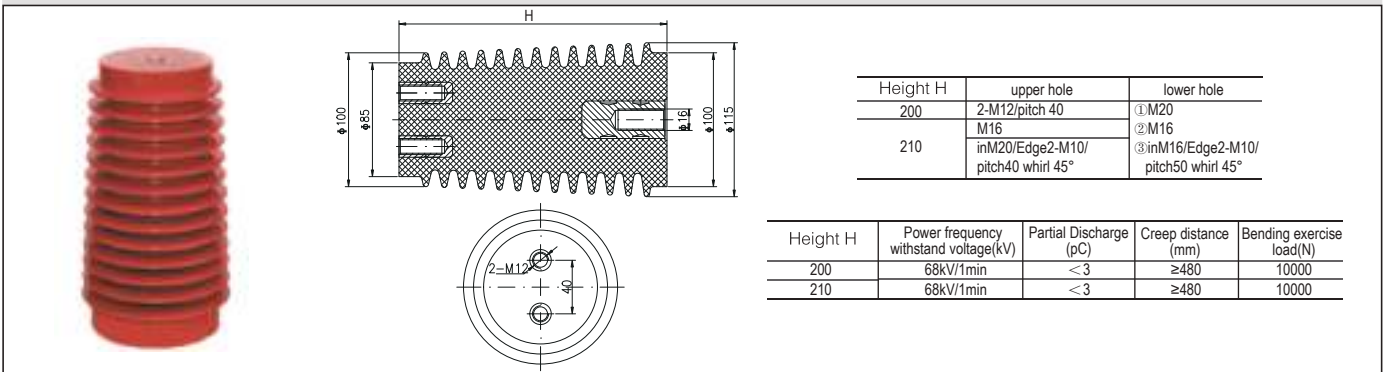
Model No.:LYC358 Name: Insulator(Sensor)



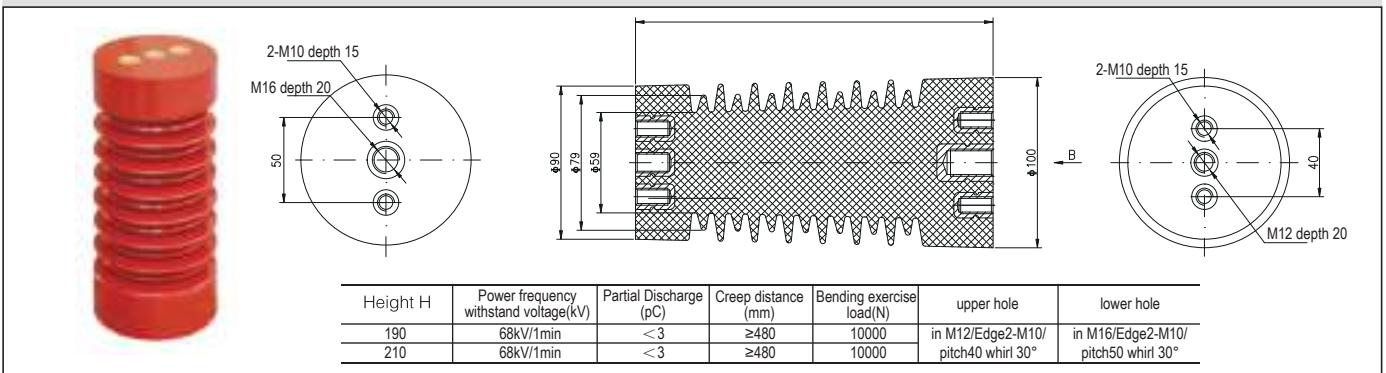
Model No.:LYC131 Name: Insulator(Sensor)



Model No.:LYC500 Name:Insulator(Sensor)



Model No.:LYC501 Name:Insulator(Sensor)



40.5KV INSULATOR SENSOR SERIES

Model No.:LYC133 Name:ZJ-40.5/φ155x320~380 Insulator(Sensor)

Upper hole	Insert quantity	Lower hole	Lower hole
3-M10/KJ30	3	Single M16	1
MiddleM12/ SideKJ30/2-M10	1	Single M16	1
MiddleM16/ SideKJ30/2-M10	1		

Height H
320
330
340
350
360
380

Model No.:LYC130 Name: Insulator(Sensor)

Upper hole	Insert quantity	Lower hole	Lower hole
3-M10/KJ30	3	Single M16	1
3-M10/KJ36	3		
3-M12/KJ40	3		
2-M10/KJ40	3		
2-M10/KJ40	3		

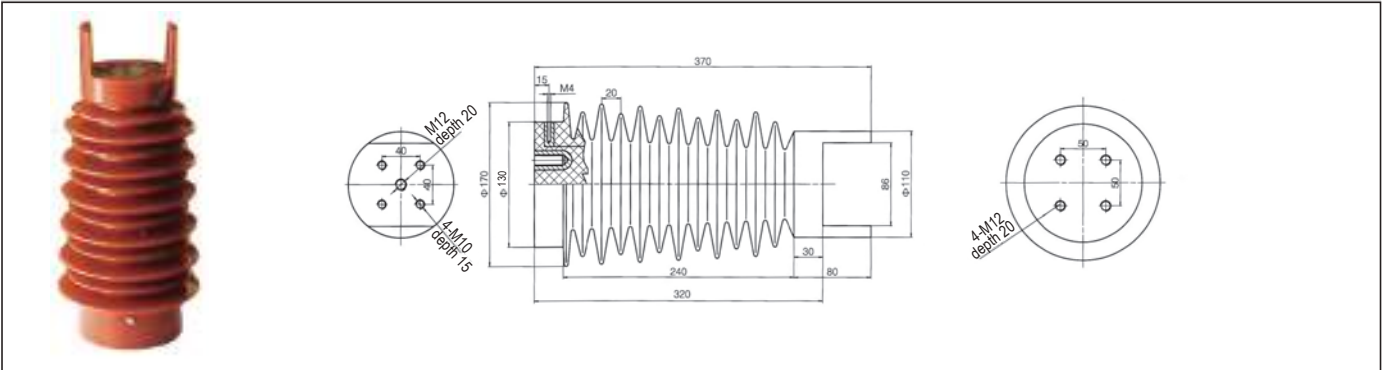
Height H
320
330
340
360
365
380

Model No.:LYC135 Name:ZJ-40.5/φ130x340~380 Insulator(Sensor)

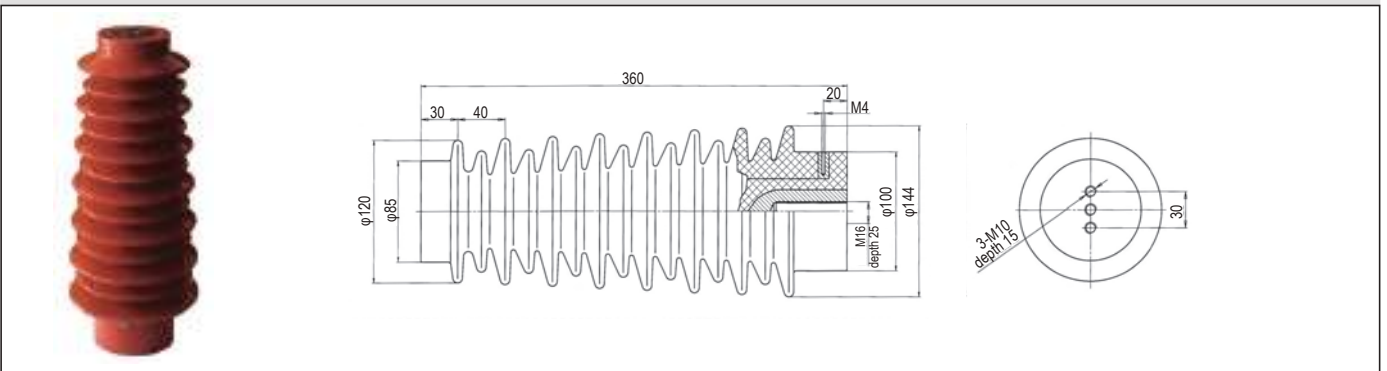
Upper hole	Insert quantity	Lower hole	Insert quantity
3-M10/KJ30	1	Single M16	1
3-M10/KJ36	3	2-M12/KJ30	2
2-M12/KJ40	2		

Height H
340
360
380

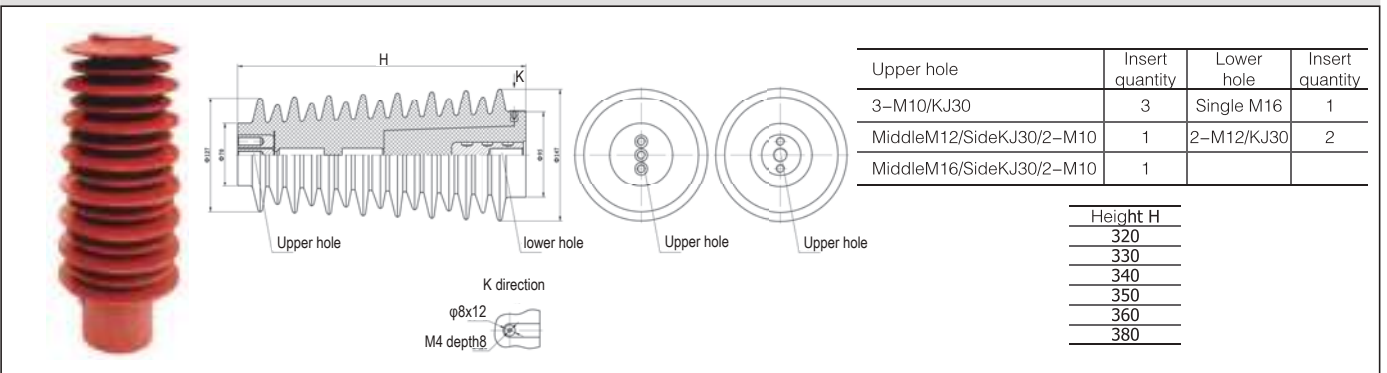
Model No.:LYC359 Name: Insulator(Sensor)



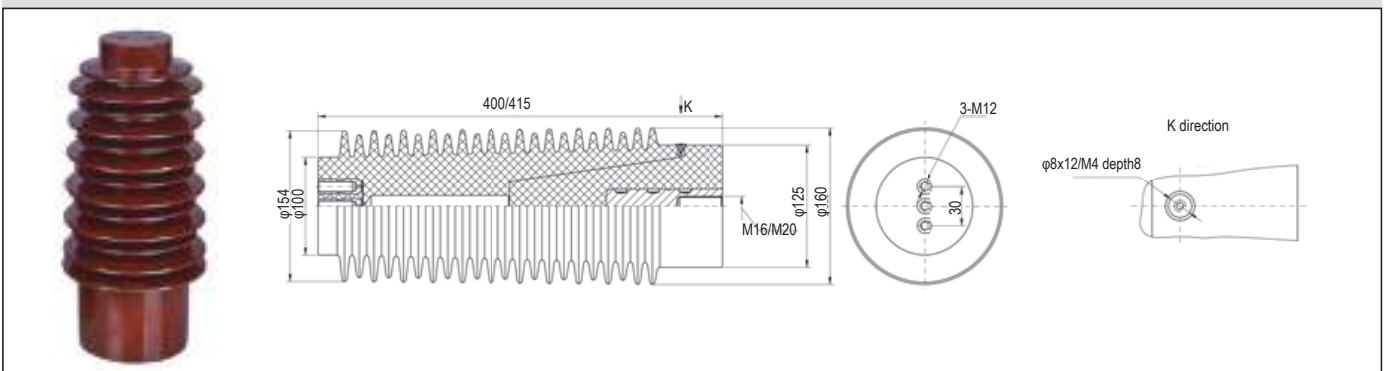
Model No.:LYC360 Name: Insulator(Sensor)



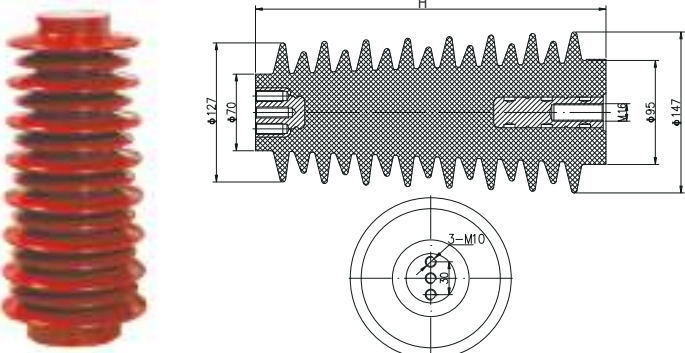
Model No.:LYC137 Name: Insulator(Sensor)



Model No.:LYC138 Name:ZJ-40.5/φ172x360 Insulator(Sensor)



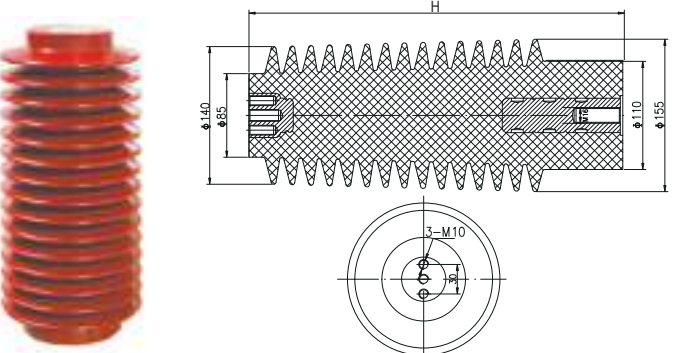
Model No.:LYC502 Name:Insulator(Sensor)



upper hole	lower hole
① 3-M10/pitch 30 ② single hole M16	① single hole M16 ② 2-M12/pitch 30 (Height H 360 optional)

Height H	Power frequency withstand voltage(kV)	Partial Discharge (pC)	Creep distance (mm)	Bending exercise load(N)
310	95kV/1min	< 3	≥810	10000
320	95kV/1min	< 3	≥810	10000
330	95kV/1min	< 3	≥810	10000
340	95kV/1min	< 3	≥810	10000
350	95kV/1min	< 3	≥810	10000
360	95kV/1min	< 3	≥810	10000
380	95kV/1min	< 3	≥810	10000

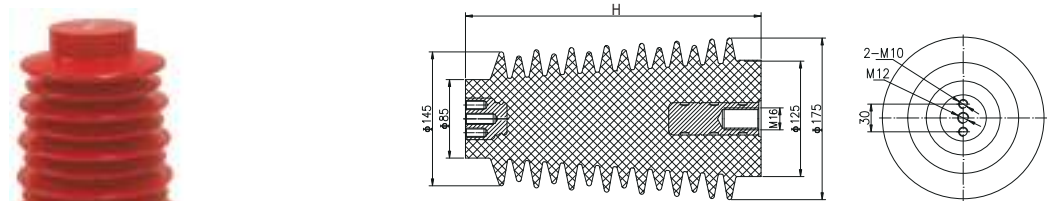
Model No.:LYC503 Name:Insulator(Sensor)



upper hole	lower hole
① 3-M10/pitch 30 ② 2-M10/pitch 40	① single hole M16/M20 ② 2-M12/pitch 30 (Height H 380 optional)

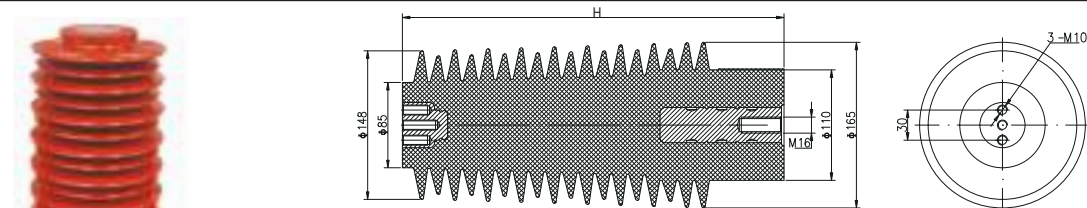
Height H	Power frequency withstand voltage(kV)	Partial Discharge (pC)	Creep distance (mm)	Bending exercise load(N)
320	95kV/1min	< 3	≥810	12000
330	95kV/1min	< 3	≥810	12000
340	95kV/1min	< 3	≥810	12000
350	95kV/1min	< 3	≥810	12000
360	95kV/1min	< 3	≥810	12000
380	95kV/1min	< 3	≥810	12000

Model No.:LYC504 Name:Insulator(Sensor)



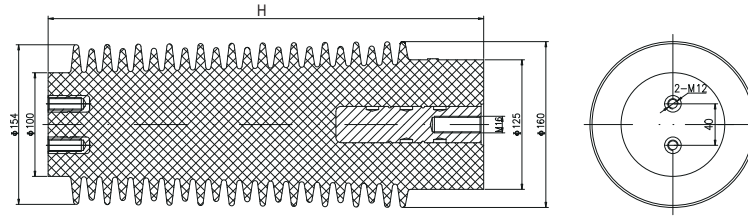
Height H	Power frequency withstand voltage(kV)	Partial Discharge (pC)	Creep distance (mm)	Bending exercise load(N)	upper hole	lower hole
320	95kV/1min	< 3	≥810	16000	3-M10/pitch 30	single hole M16
340	95kV/1min	< 3	≥810	16000		
360	95kV/1min	< 3	≥810	16000		
380	95kV/1min	< 3	≥810	16000		
320	95kV/1min	< 3	≥810	16000		2-M10/pitch 50

Model No.:LYC505 Name:Insulator(Sensor)



Height H	Power frequency withstand voltage(kV)	Partial Discharge (pC)	Creep distance (mm)	Bending exercise load(N)	upper hole	lower hole
320	130kV/1min	< 3	≥810	15000	3-M10/pitch 30	single hole M16
340	130kV/1min	< 3	≥810	15000		
360	130kV/1min	< 3	≥810	15000	① 3-M10/pitch 30 ② 2-M12/pitch 40	
380	130kV/1min	< 3	≥810	15000	③ 3-M10/pitch 36	
380	130kV/1min	< 3	≥810	15000		2-M12/pitch 30

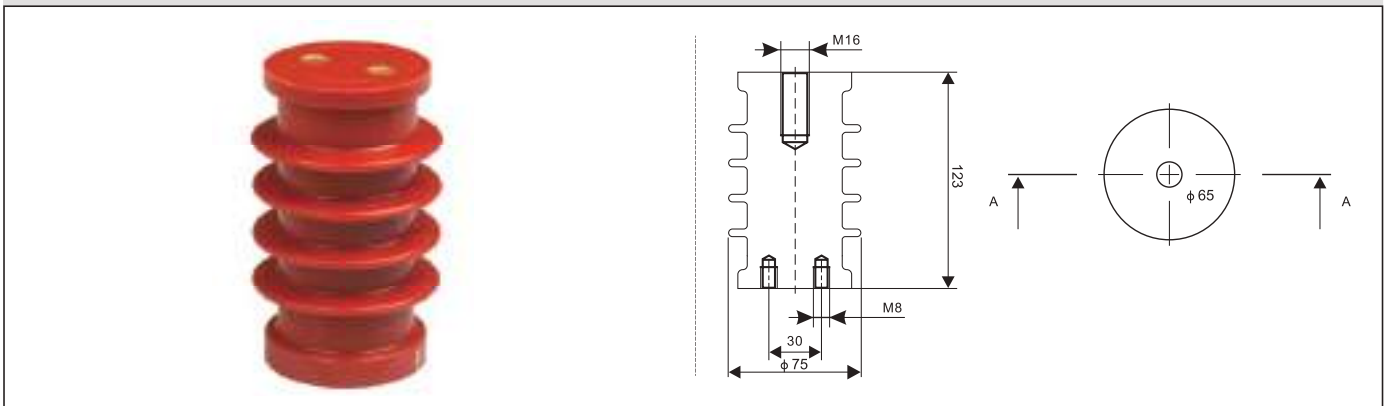
Model No.:LYC506 Name:Insulator(Sensor)



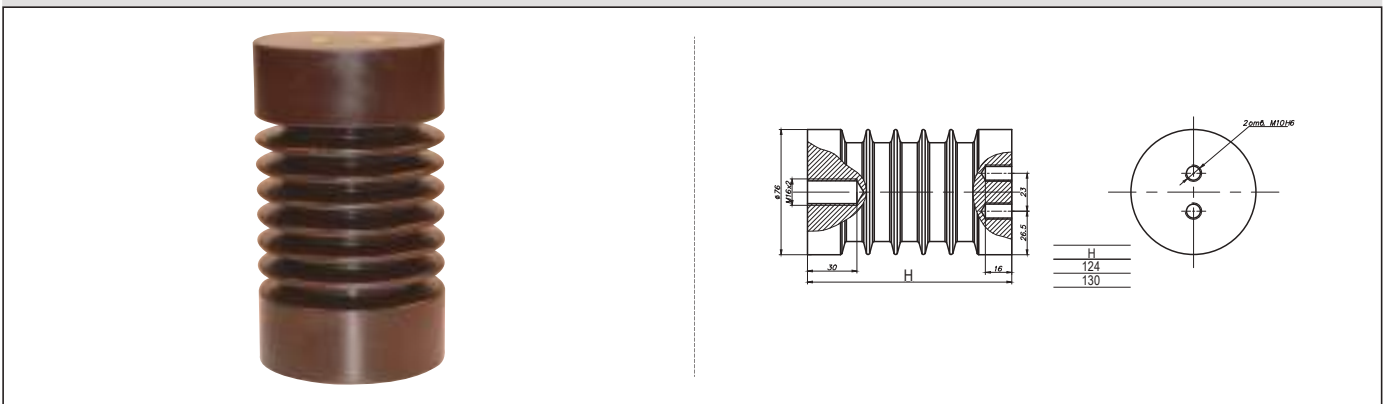
Height H	Power frequency withstand voltage(kV)	Partial Discharge (pC)	Creep distance (mm)	Bending exercise load(N)	upper hole	lower hole
400	137kV/1min	<3	≥810	15000	3-M12/pitch 40	single hole M16/M20
415	137kV/1min	<3	≥810	15000	3-M12/pitch 40	single hole M16/M20
420	137kV/1min	<3	≥810	15000	2-M12/pitch 40	single hole M16

12KV INSULATOR SERIES

Model No.:LYC101 Name:ZJ-12/φ75x123 Insulator



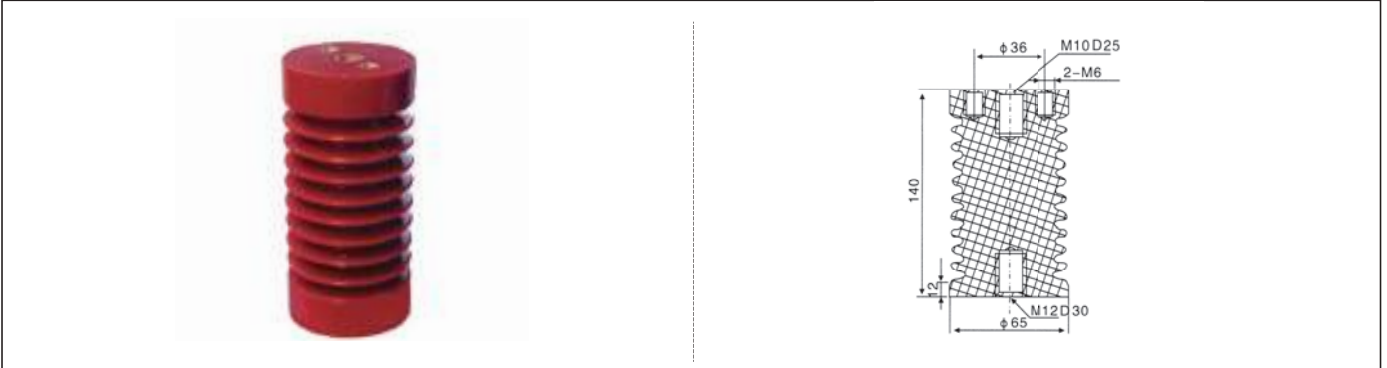
Model No.:LYC120 Name:ZJ-12/φ75x124 Insulator



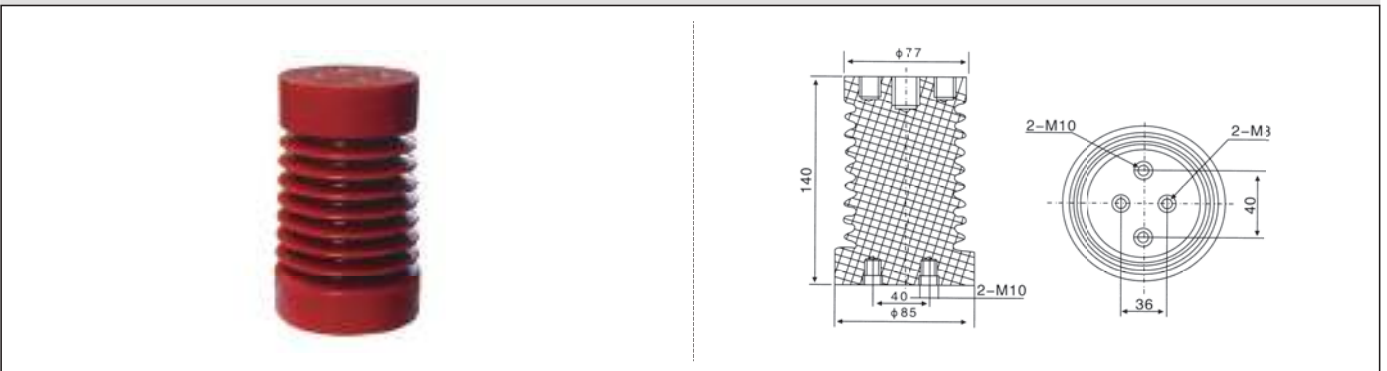
Model No.:LYC102 Name:ZJ-12/φ65x130 Insulator



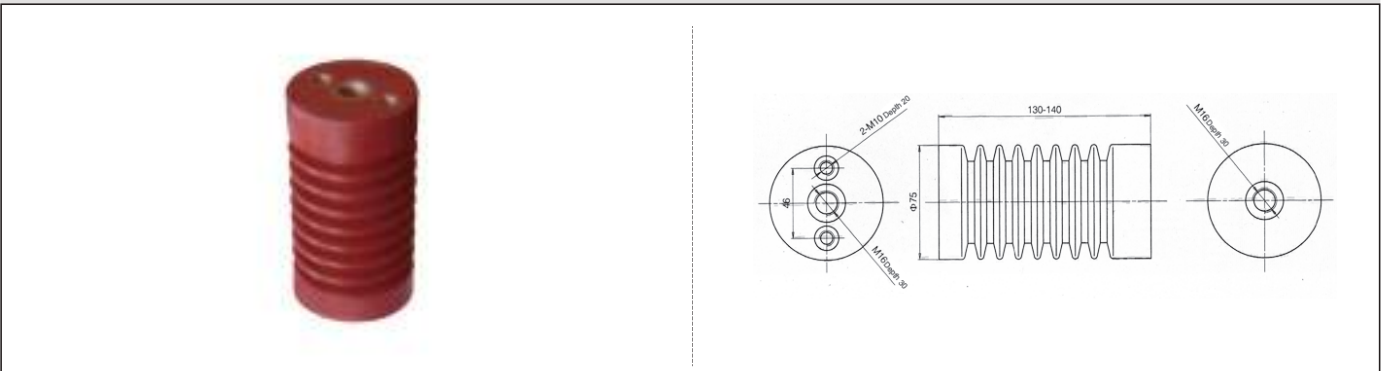
Model No.:LYC290 Name:ZJ-12/φ65x 140 Insulator



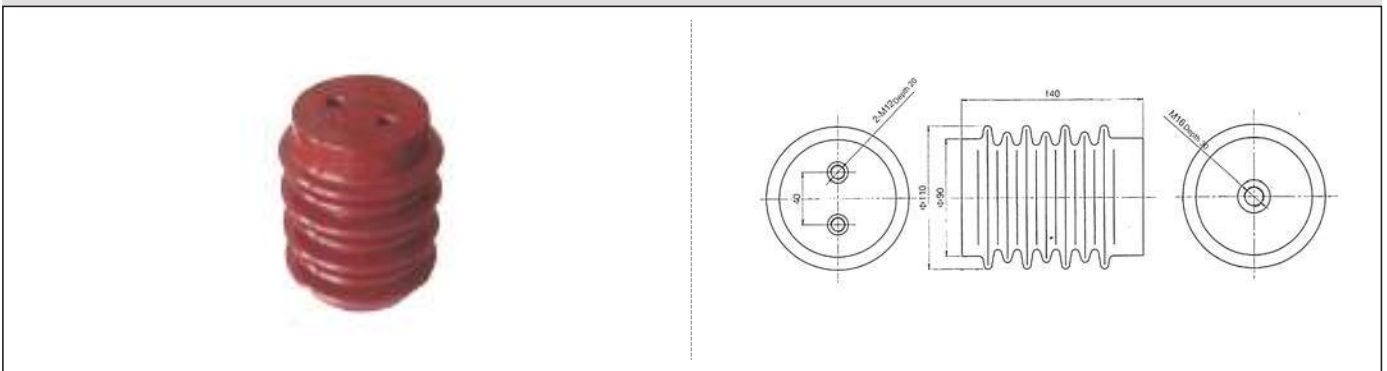
Model No.:LYC103 Name:ZJ-12/φ85x140 Insulator



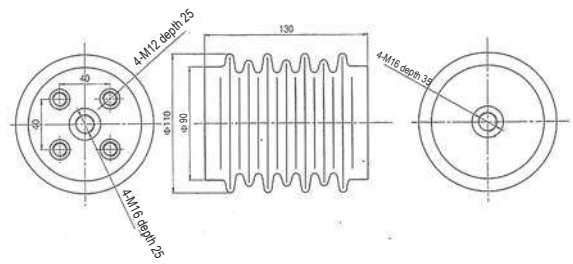
Model No.:LYC289 Name:Insulator



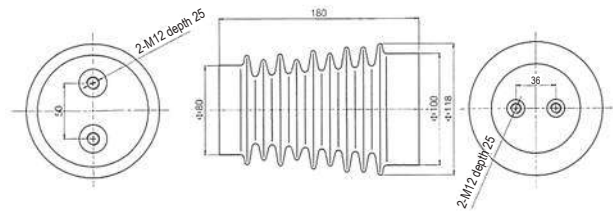
Model No.:LYC292 Name:Insulator



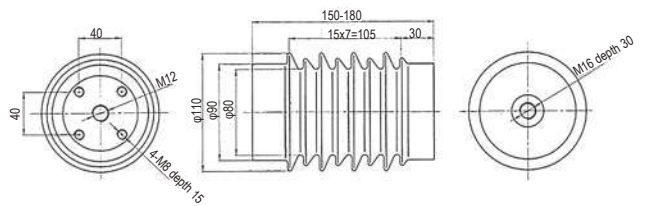
Model No.:LYC293 Name:Insulator



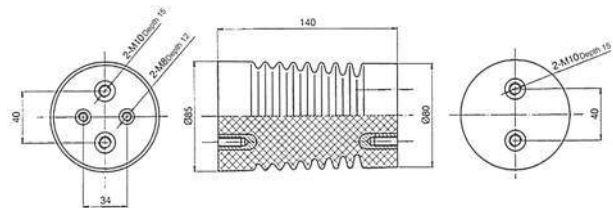
Model No.:LYC294 Name:Insulator



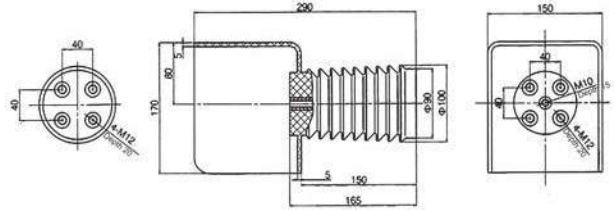
Model No.:LYC295 Name:Insulator



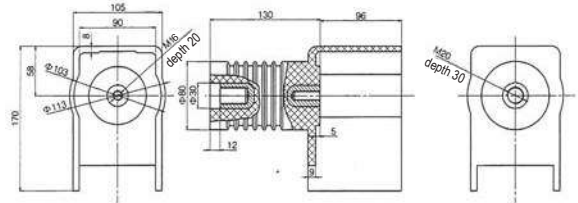
Model No.:LYC296 Name:Insulator



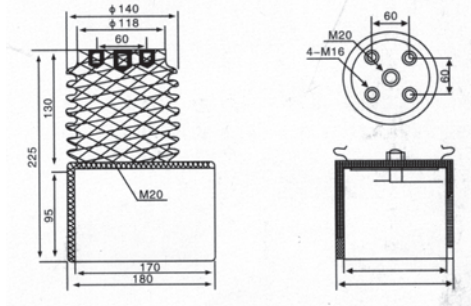
Model No.:LYC316 Name:Insulator



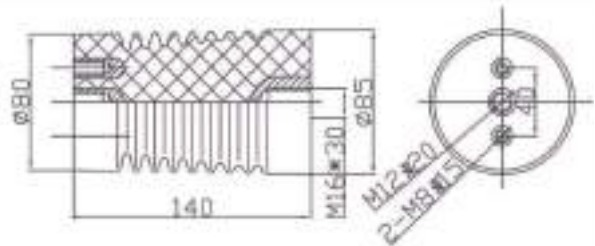
Model No.:LYC322 Name:Insulator



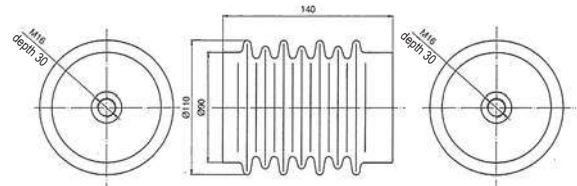
Model No.:LYC132 Name:Insulator



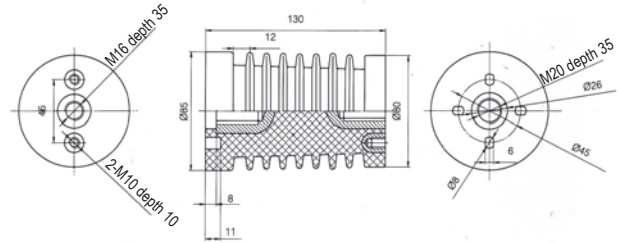
Model No.:LYC323 Name:Insulator



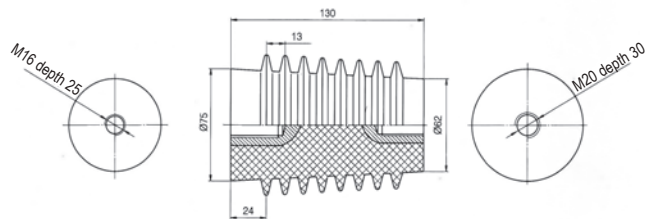
Model No.:LYC324 Name:Insulator



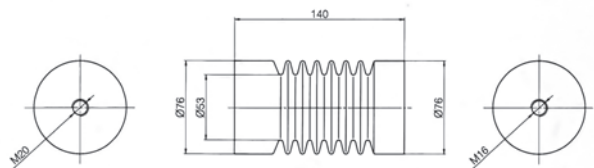
Model No.:LYC325 Name:Insulator



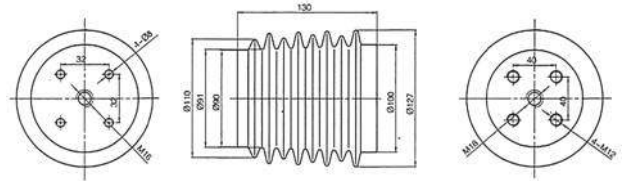
Model No.:LYC326 Name:Insulator



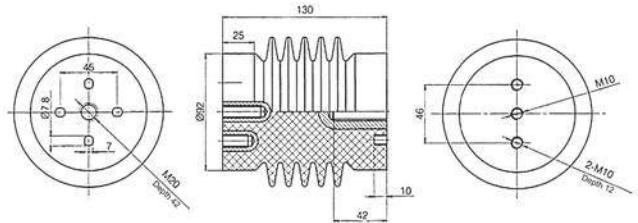
Model No.:LYC327 Name:Insulator



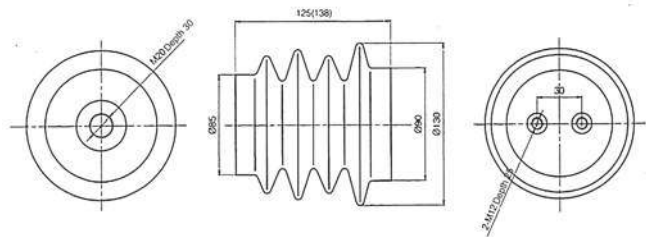
Model No.:LYC328 Name:Insulator



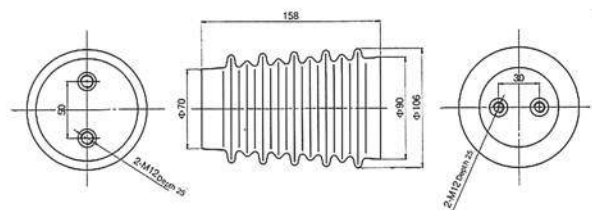
Model No.:LYC329 Name:Insulator



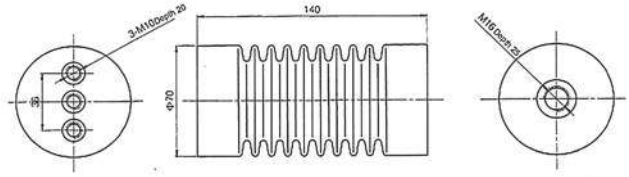
Model No.:LYC297 Name:Insulator



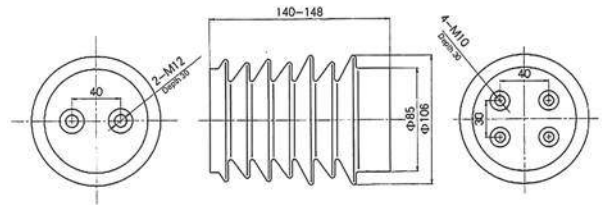
Model No.:LYC298 Name:Insulator



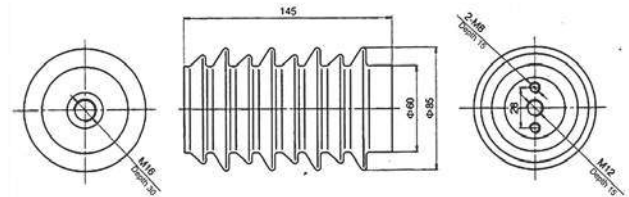
Model No.:LYC299 Name:Insulator



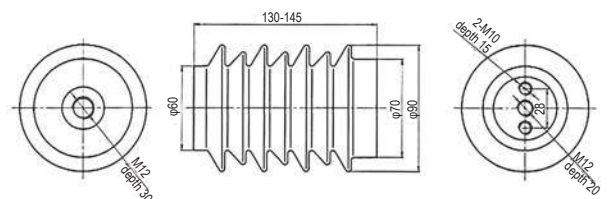
Model No.:LYC301 Name:Insulator



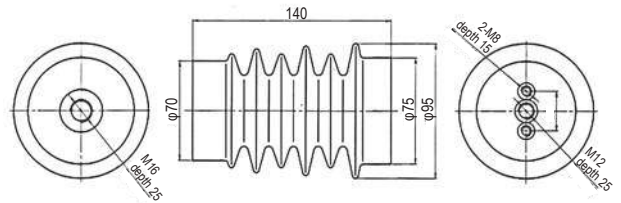
Model No.:LYC302 Name:Insulator



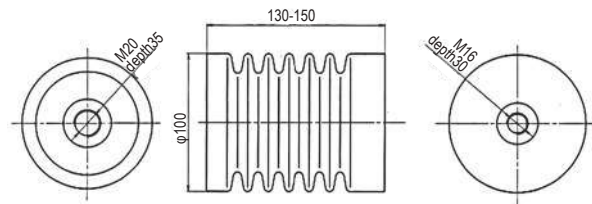
Model No.:LYC304 Name:Insulator



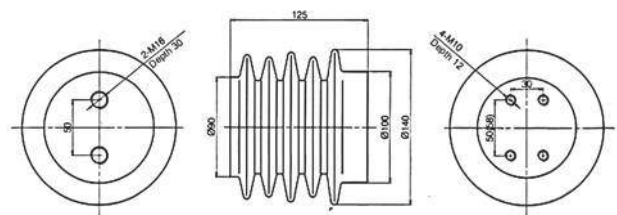
Model No.:LYC305 Name:Insulator



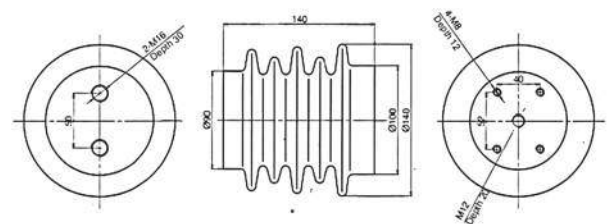
Model No.:LYC306 Name:Insulator



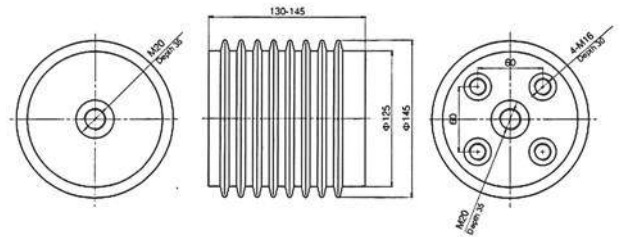
Model No.:LYC307 Name:Insulator



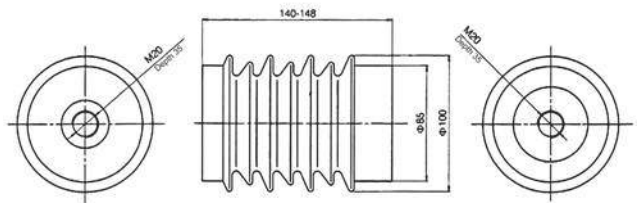
Model No.:LYC308 Name:Insulator



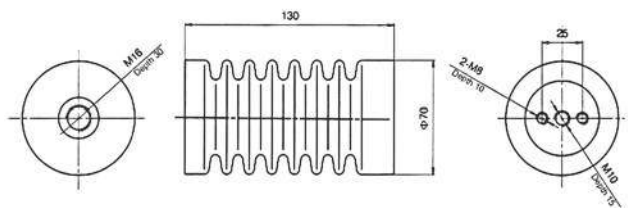
Model No.:LYC309 Name:Insulator



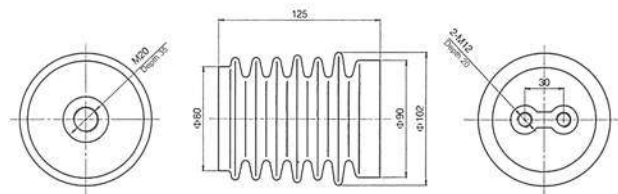
Model No.:LYC310 Name:Insulator



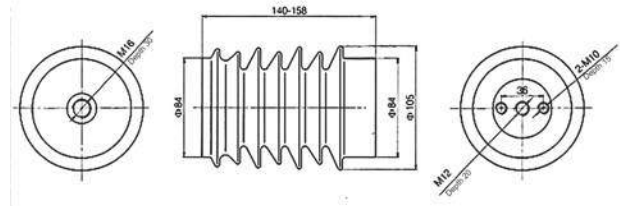
Model No.:LYC311 Name:Insulator



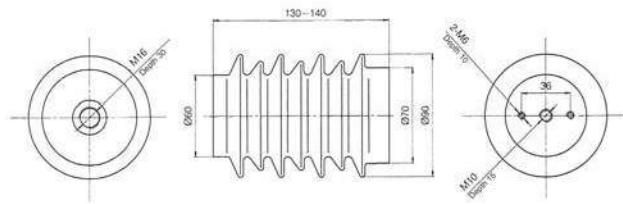
Model No.: LYC312 Name:Insulator



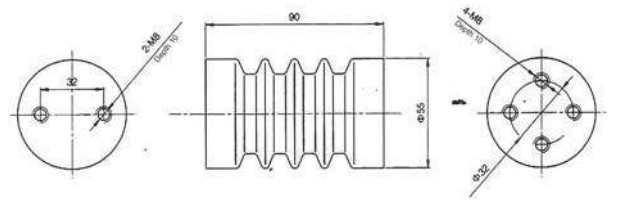
Model No.:LYC313 Name:Insulator



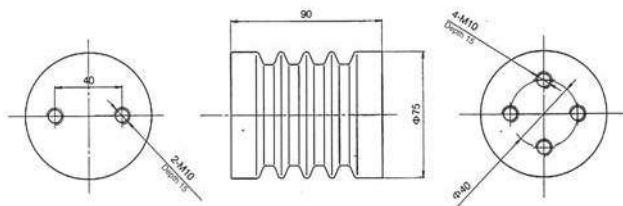
Model No.:LYC314 Name:Insulator



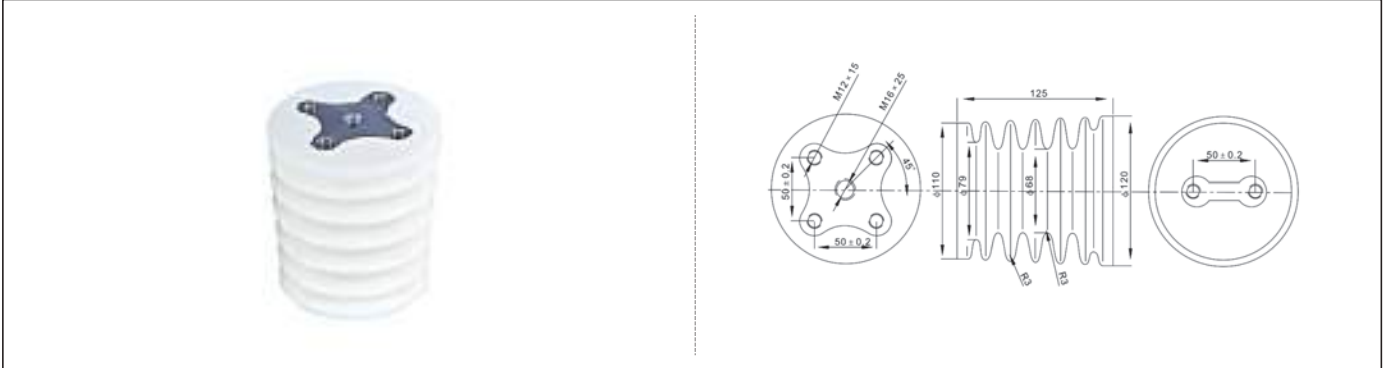
Model No.:LYC317 Name:Insulator



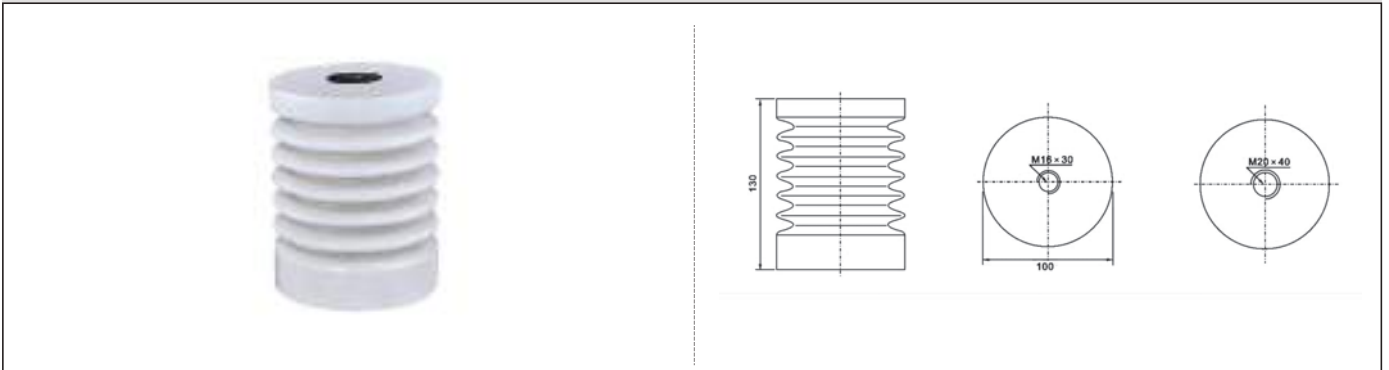
Model No.:LYC318 Name:Insulator



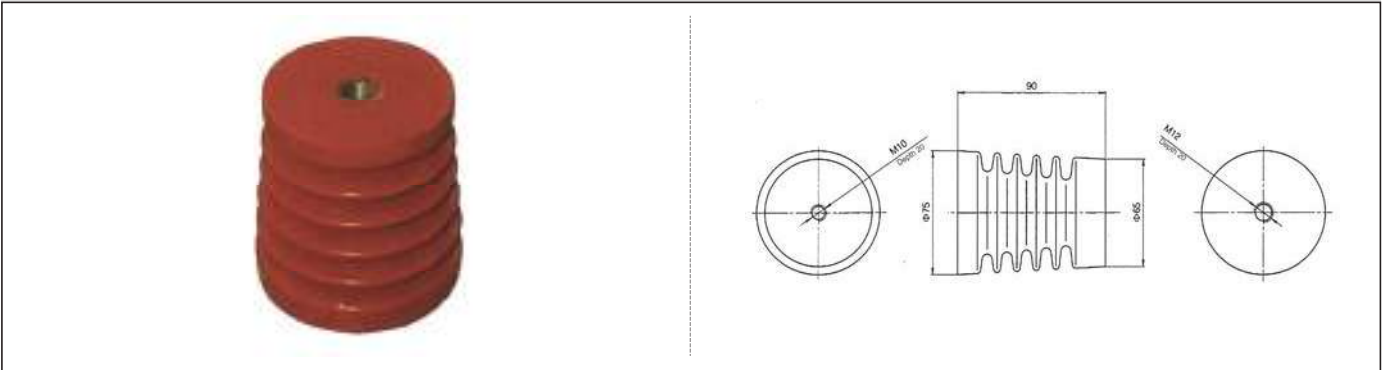
Model No.:LYC125 Name:ZJ-12/ ϕ 120x125 Insulator



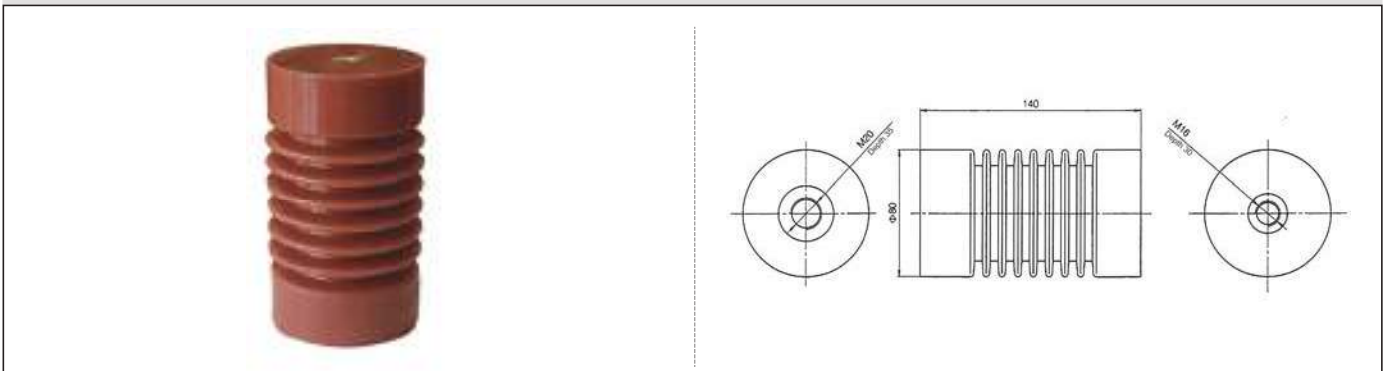
Model No.: LYC126 Name:ZJ-12/ ϕ 100x130 Insulator



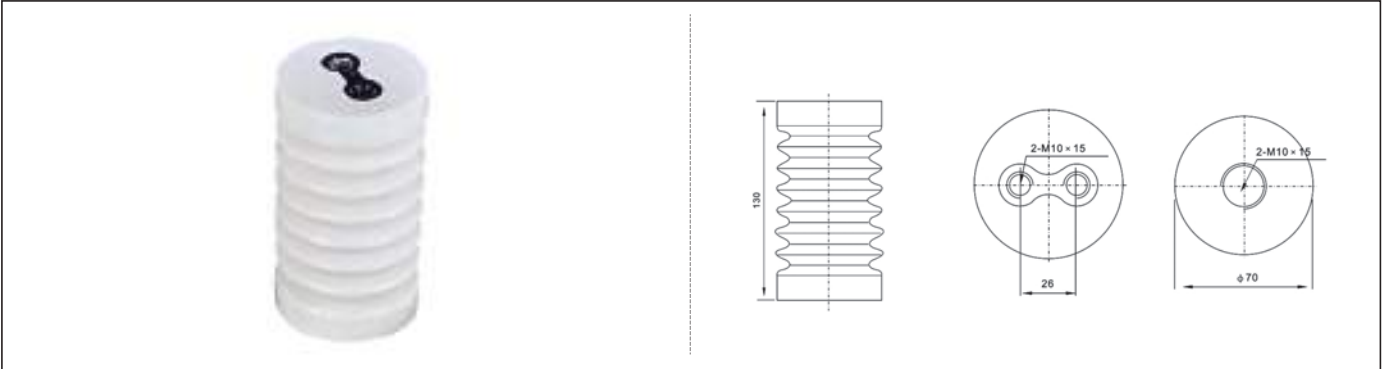
Model No.:LYC319 Name:Insulator



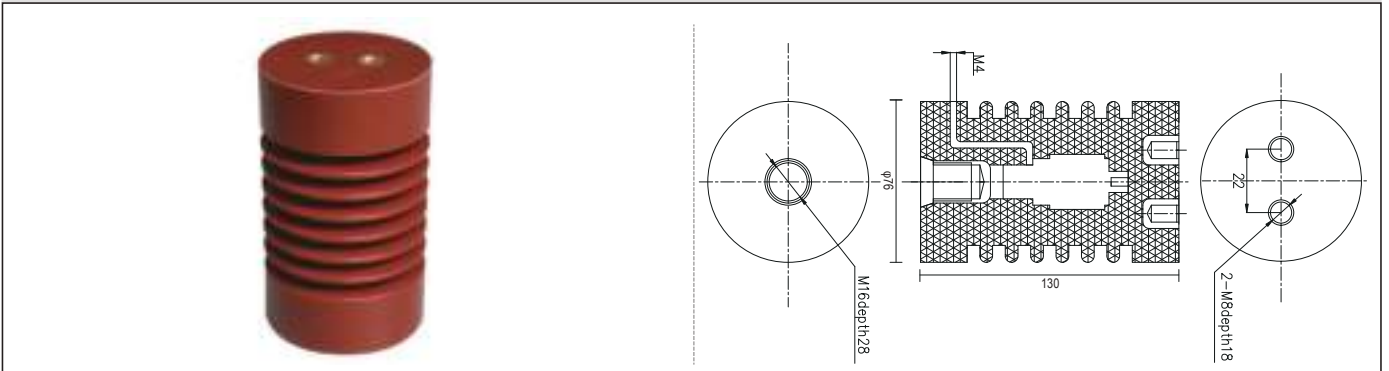
Model No.:LYC321 Name:Insulator



Model No.: LYC127 Name: ZJ-12/ ϕ 70x130 Insulator

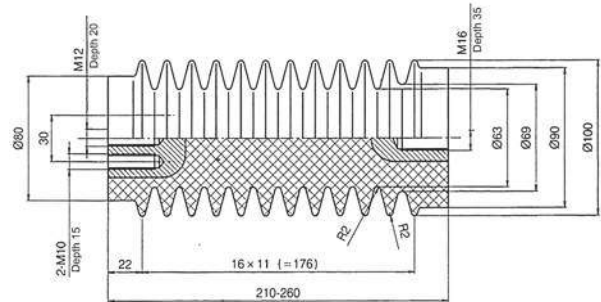


Model No.: LYC107 Name: ZJ-12/ ϕ 76x130 Insulator (Sensor)

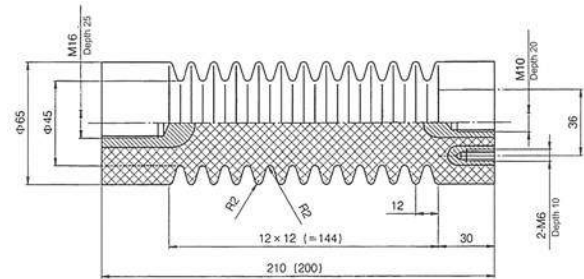


24KV INSULATOR SERIES

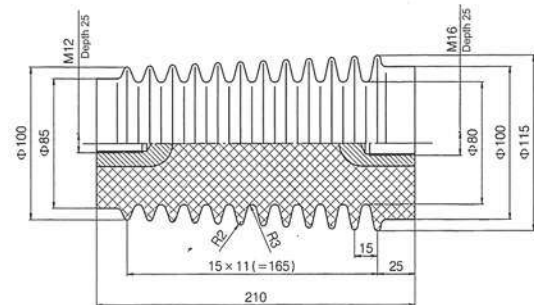
Model No.:LYC330 Name:Insulator



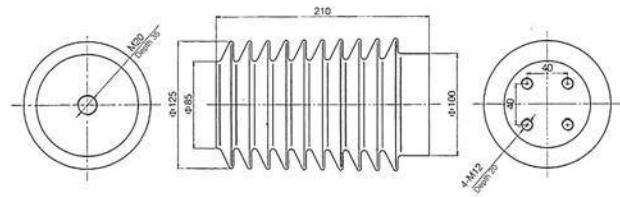
Model No.:LYC331 Name:Insulator



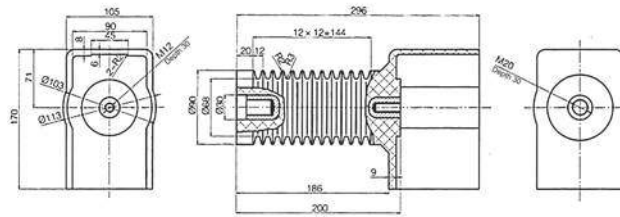
Model No.:LYC332 Name:Insulator



Model No.:LYC333 Name:Insulator

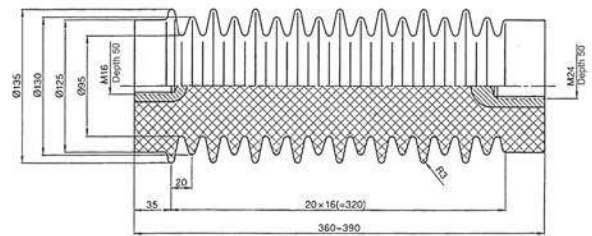


Model No.:LYC334 Name:Insulator

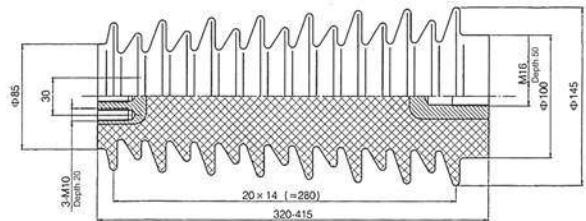


40.5KV INSULATOR SERIES

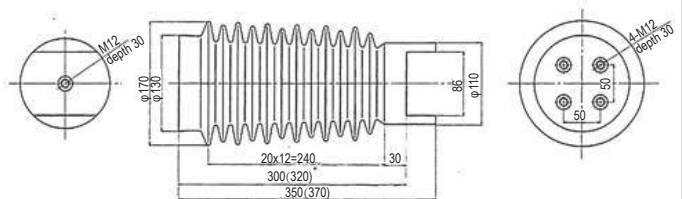
Model No.:LYC335 Name:Insulator



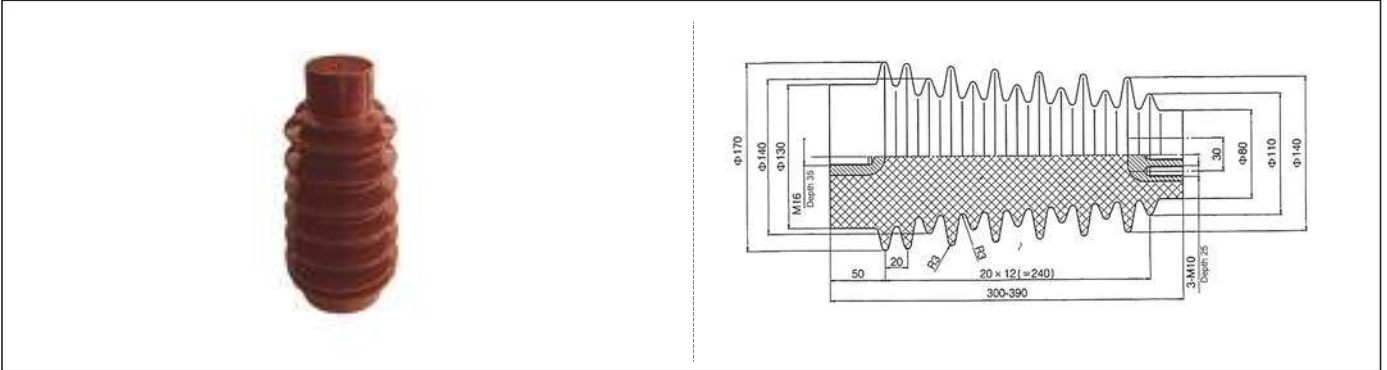
Model No.:LYC336 Name:Insulator



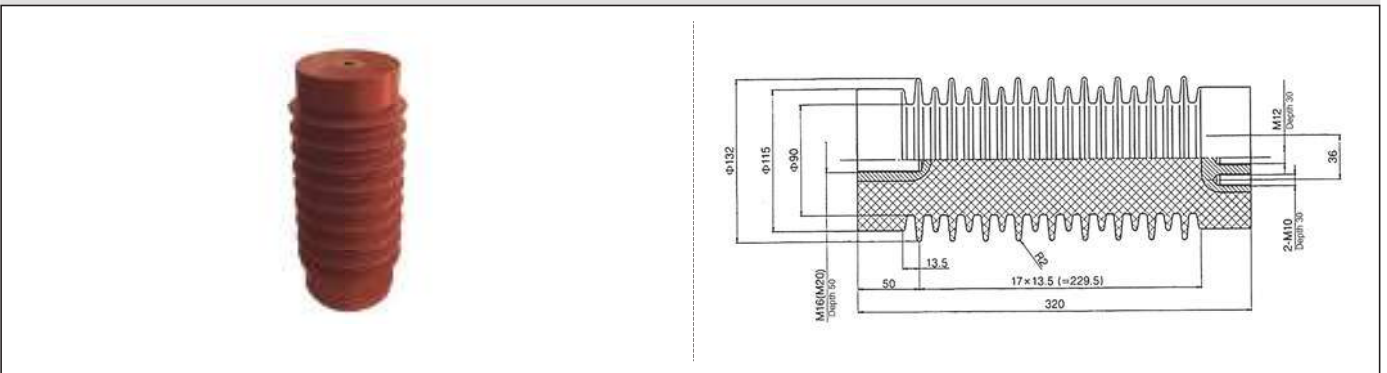
Model No.:LYC337 Name:Insulator



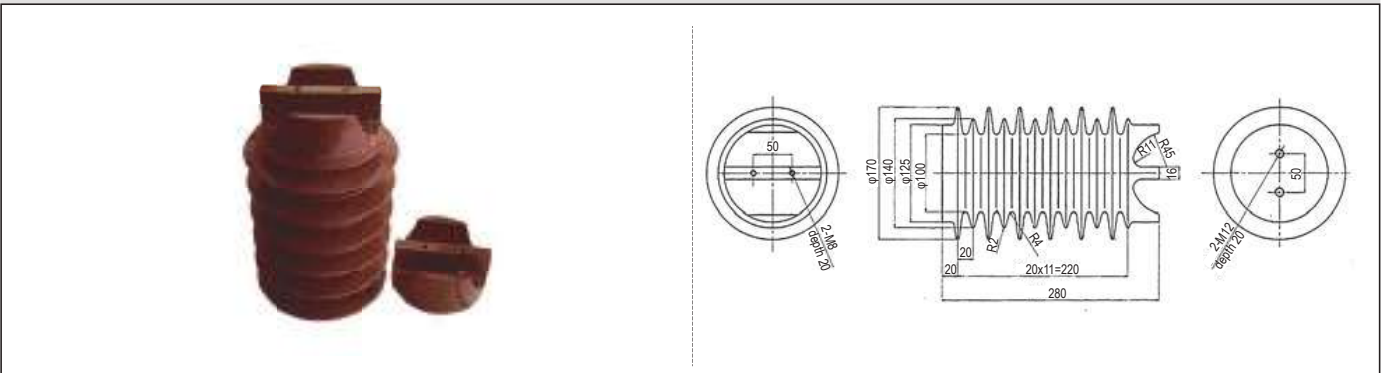
Model No.:LYC338 Name:Insulator



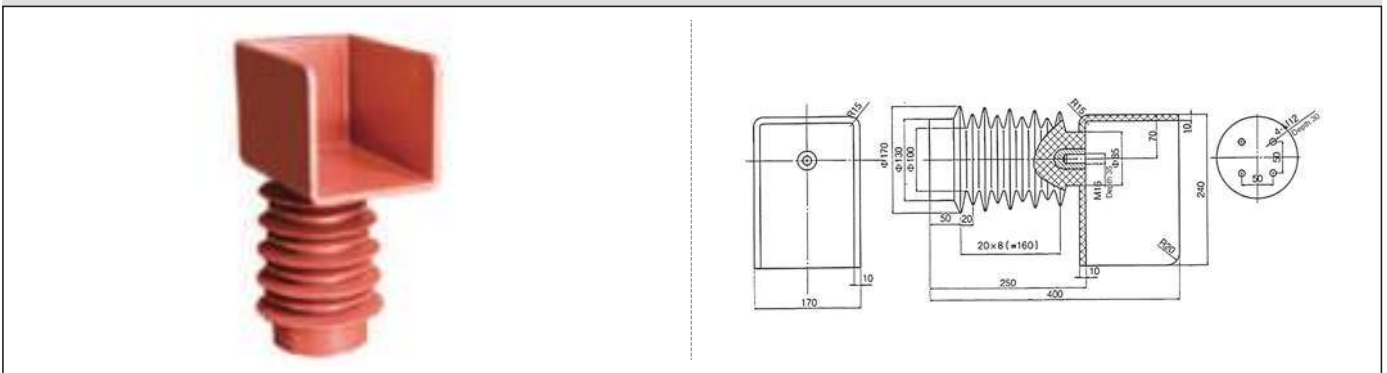
Model No.:LYC339 Name:Insulator



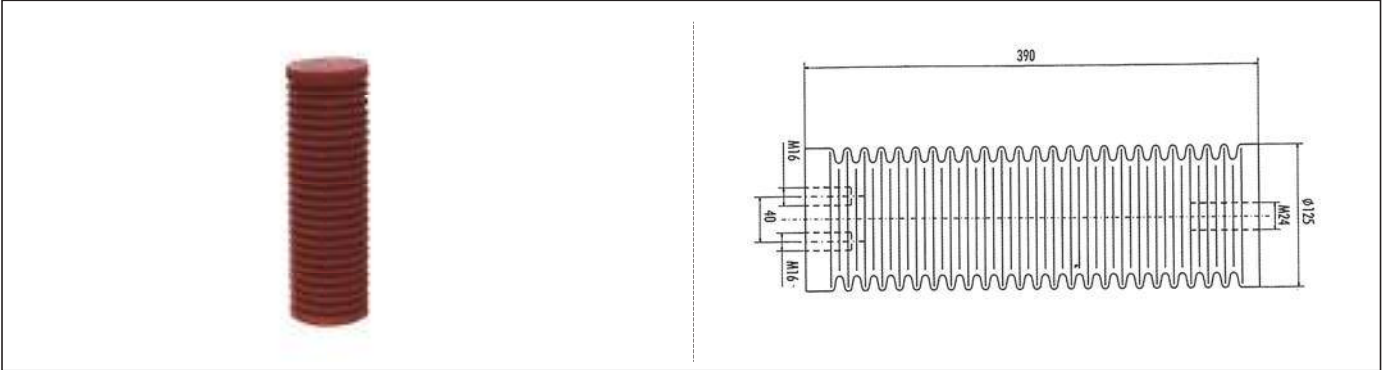
Model No.:LYC340 Name:Insulator



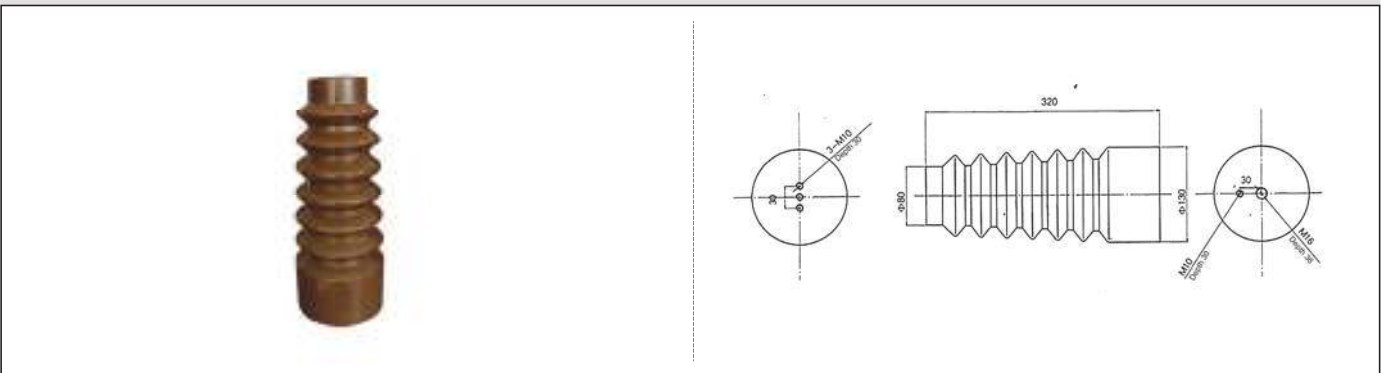
Model No.:LYC341 Name:Insulator



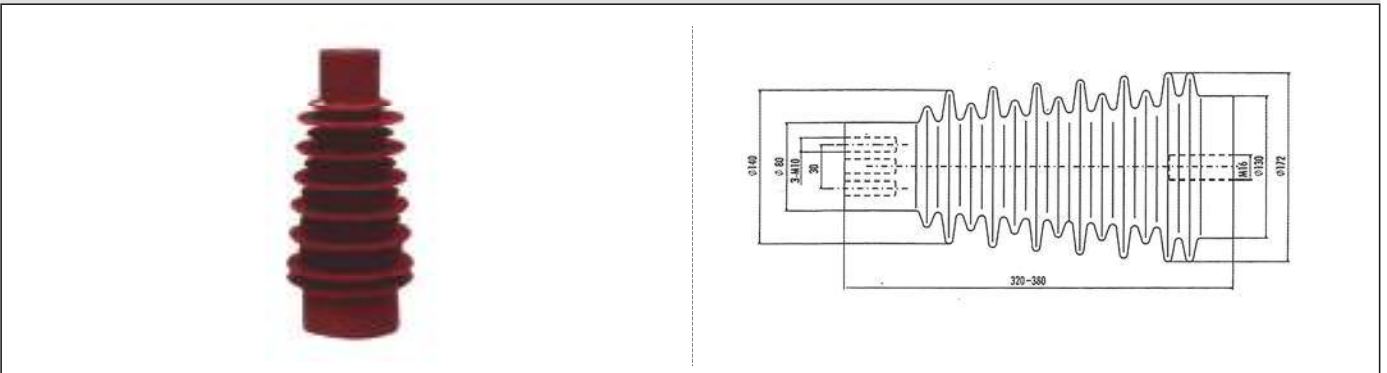
Model No.:LYC342 Name:Insulator



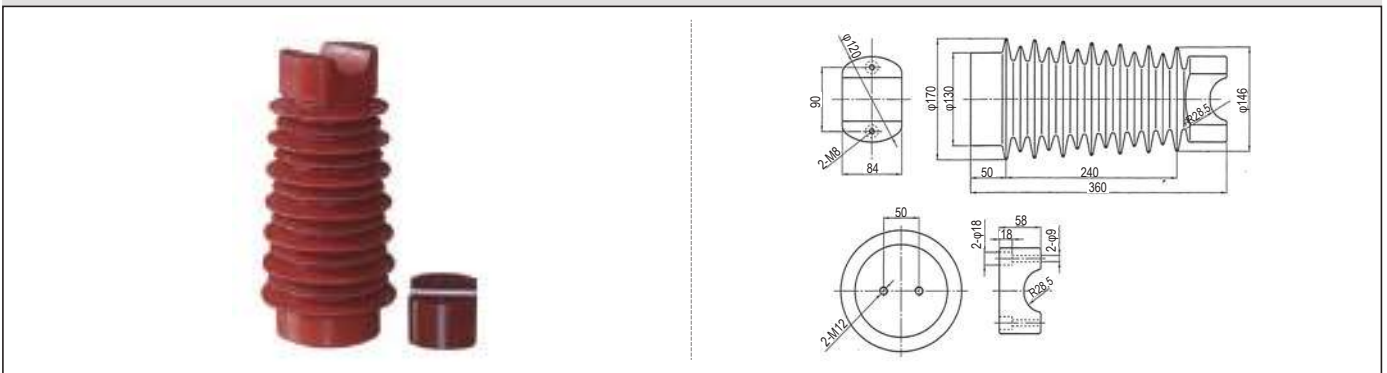
Model No.:LYC343 Name:Insulator



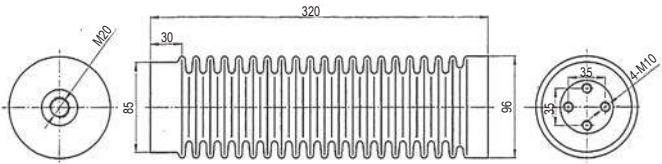
Model No.:LYC344 Name:Insulator



Model No.:LYC347 Name:Insulator



Model No.:LYC348 Name:Insulator



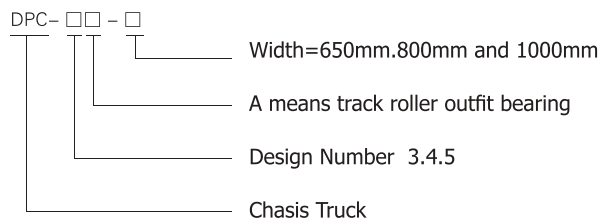
SHOW PRODUCT

Switchgear accessories series



CHASIS TRUCK SERIES

Model and meaning :



Usage and function :

Chasis truck mainly used for switch equipment to install circuit breaker, transformer and other components, push and exit it ,play a supplementary role in connecting the components with the busbar.

When chasis truck works with the internal mechanism of circuit breaker and other switchgear interlocking mechanism ,can meet the interlock requirement of GB3906-five prevention.

Lock plate for Chasis Truck



Lock plate 8XS.141.012

Lock plate 8XS.141.012.1

Lock plate 8XS.141.012.2

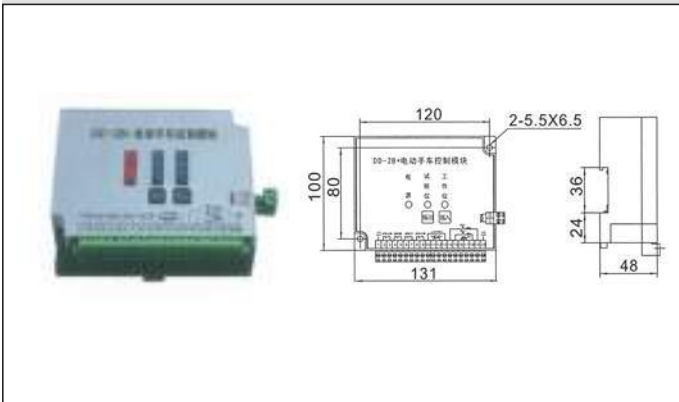
Lock plate 8XS.141.050
(For VSm)

Lock plate 8XS.141.012S
(For VS1+)

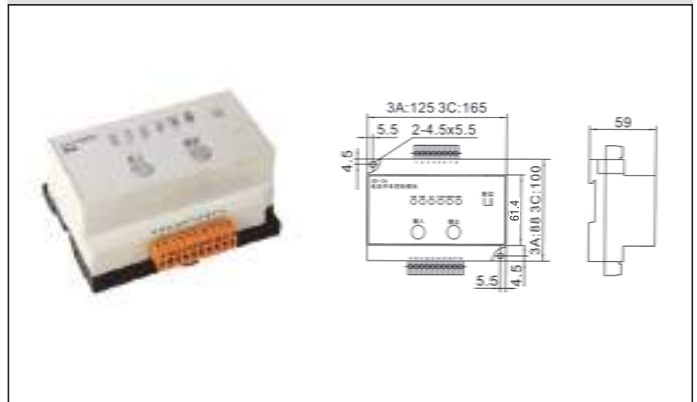
Note:DPC chasis truck has five lock plates for selection,usually with 8XS.141.012.2,if you need to match the other four lock plates,please declare in order.

MOTORIZED CHASSIS TRUCK

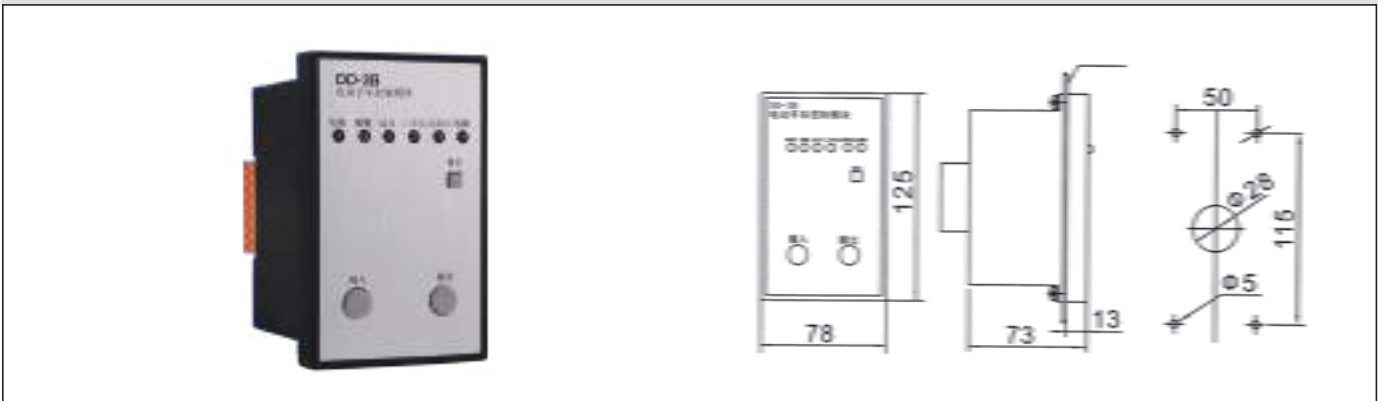
DD-2B+Control module for motorized **chassis truck**



DD-3A Control module for motorized **chassis truck**



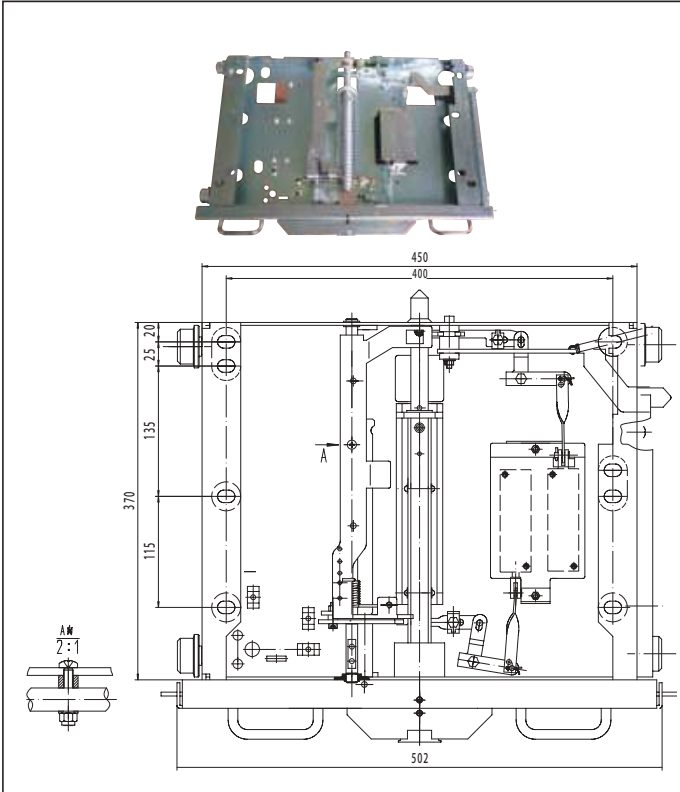
DD-3B Internal type control module motorized chassis truck



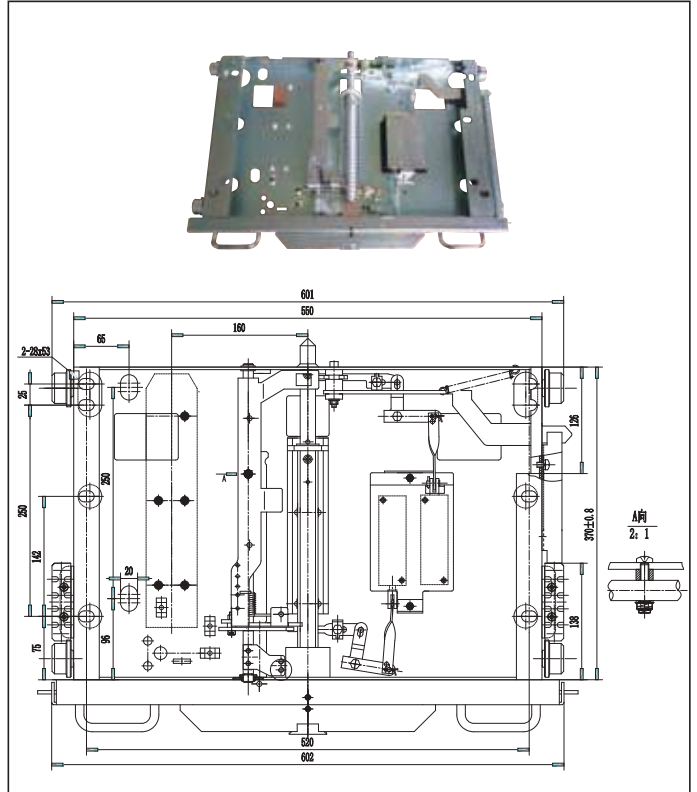
DPC-max-550 chasis truck and DPC-max-550/DD3motorized chassis truck



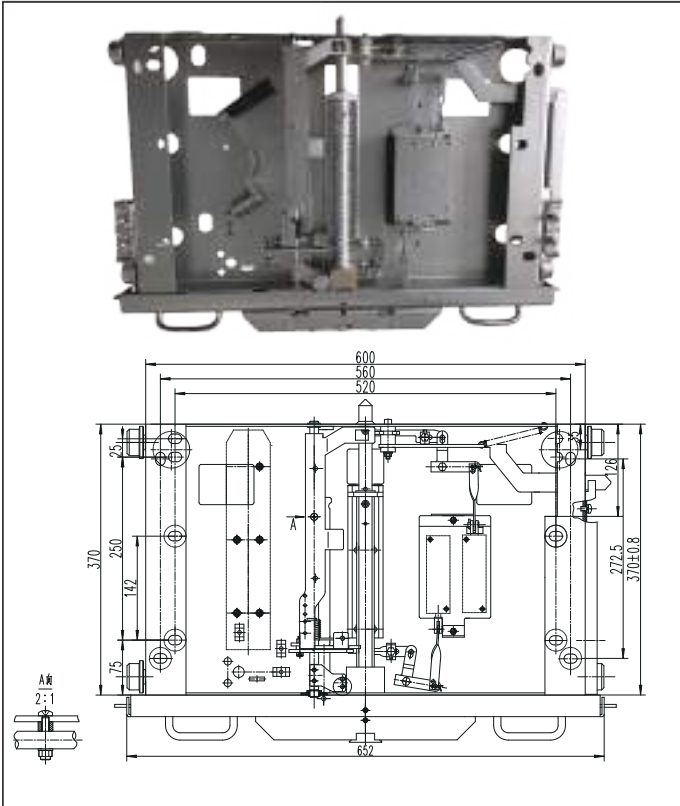
DPC-4-650/VD4 Chassis truck



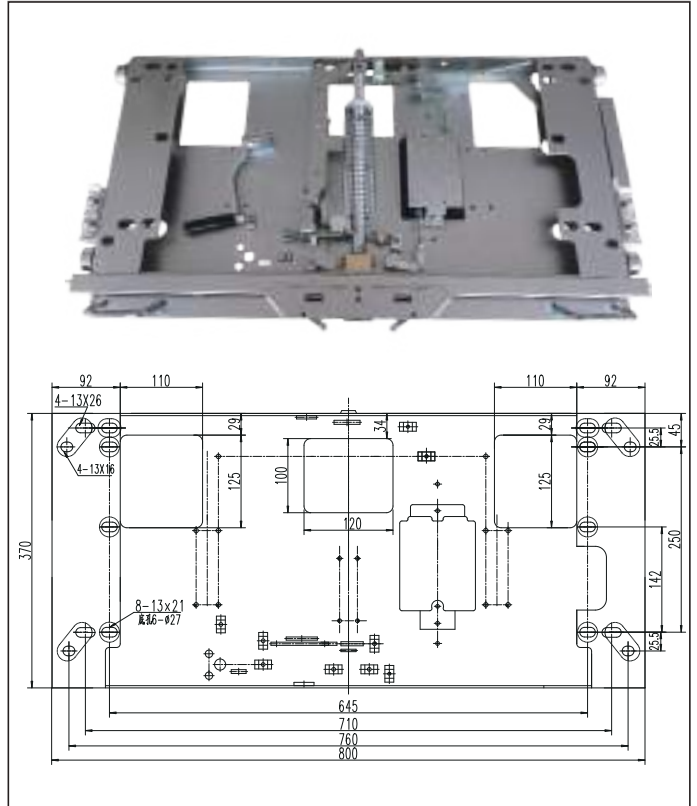
DPC-4-750/VD4 Chassis truck



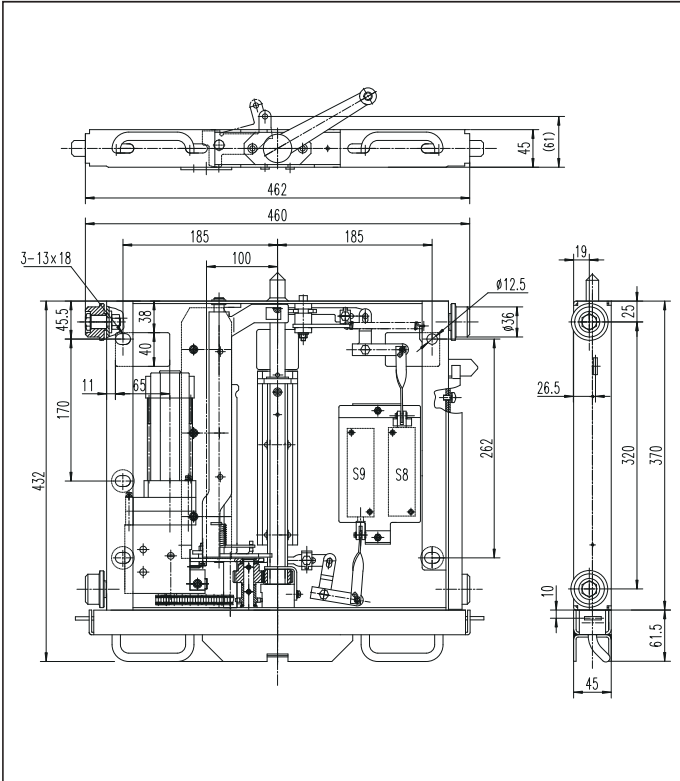
DPC-4-800/VD4 Chassis truck



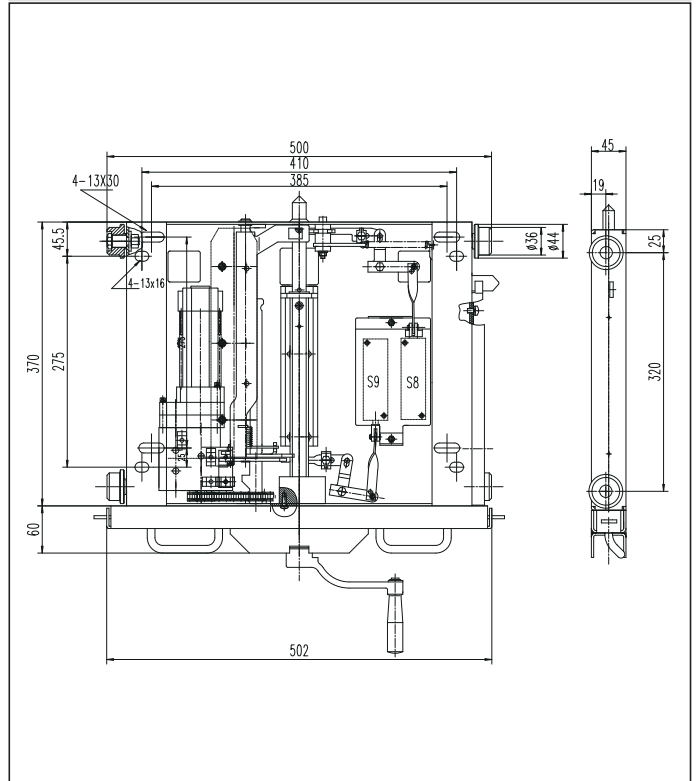
DPC-4-1000/VD4 Chassis truck



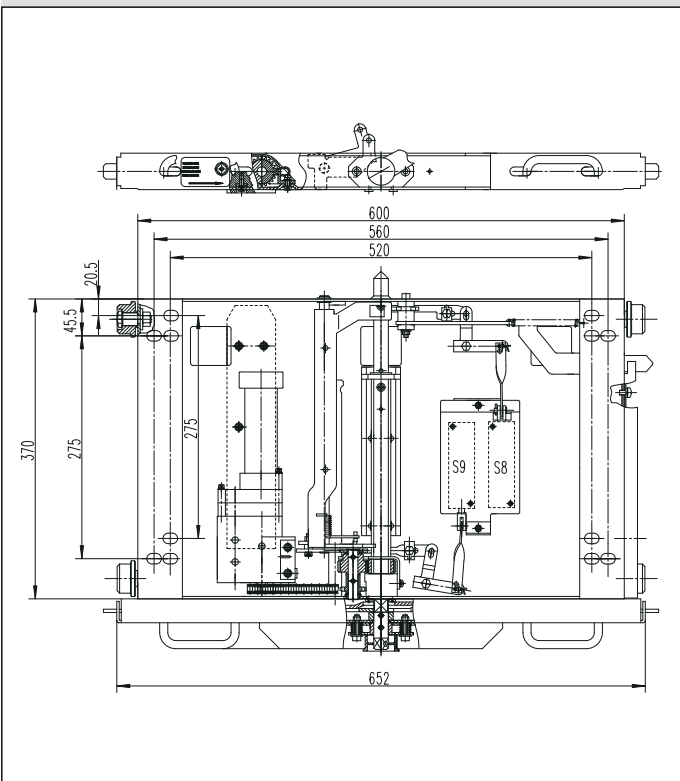
DPC-4-550- DD3 Chassis truck (motorized type)



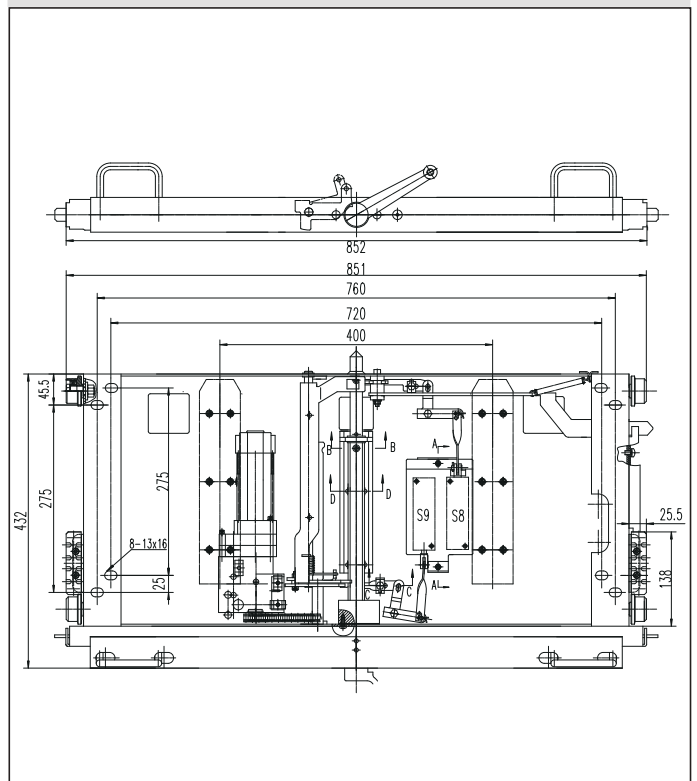
DPC-4-650- DD3 Chassis truck (motorized type)



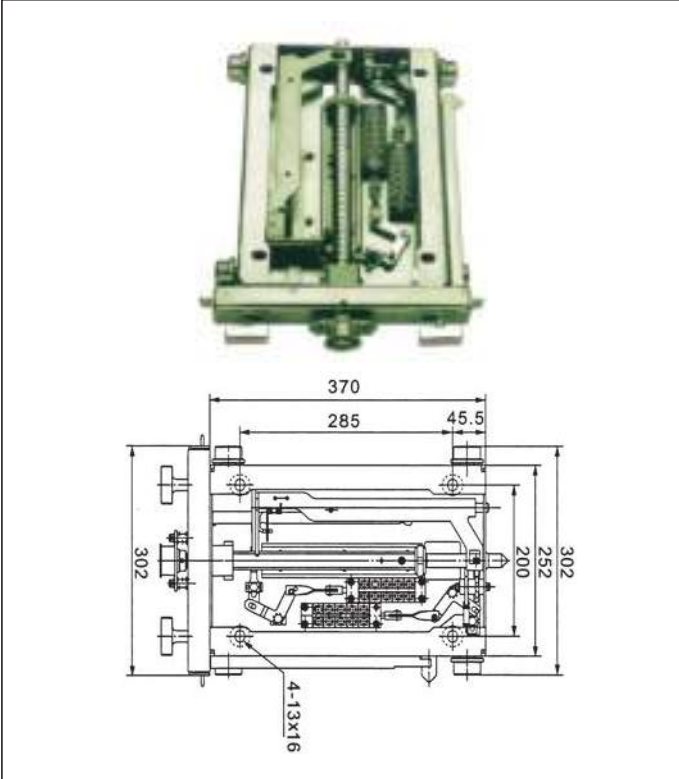
DPC-4-800- DD3 Chassis truck (motorized type)



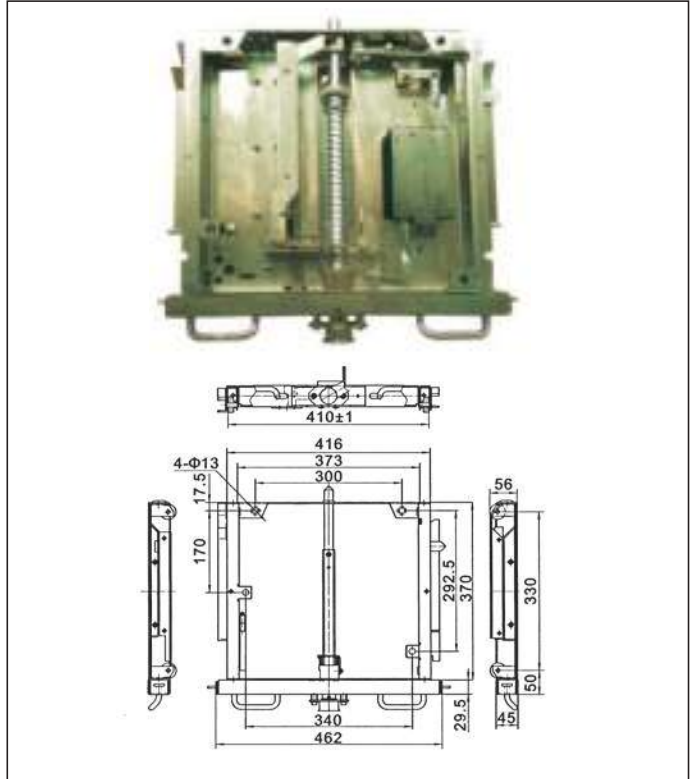
DPC-4-1000- DD3 Chassis truck (motorized type)



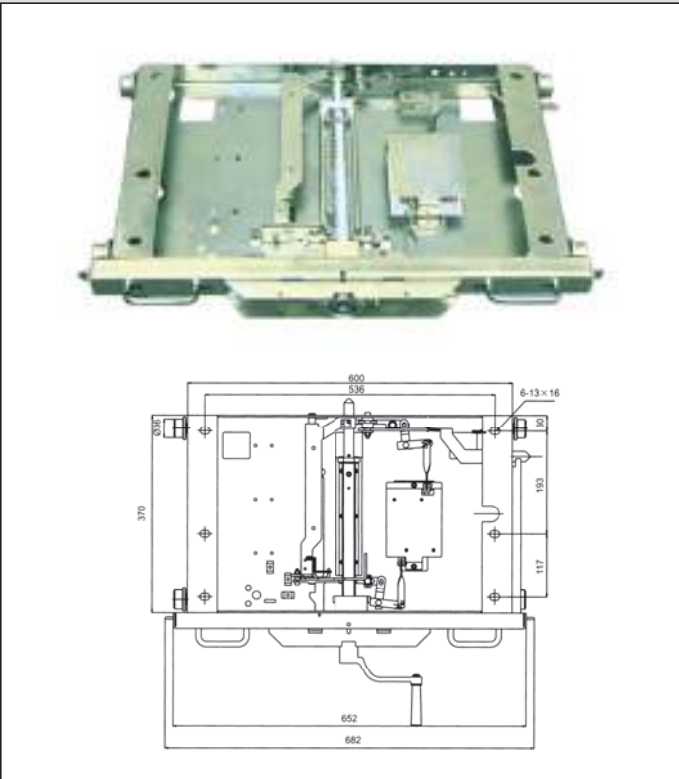
DPC-4-450 Chassis Truck



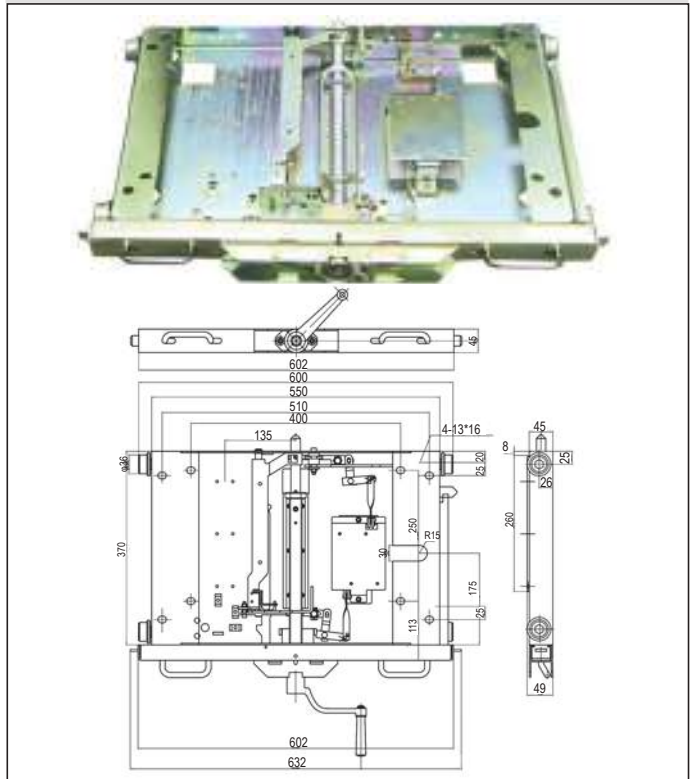
DPC-4-550 Chassis Truck



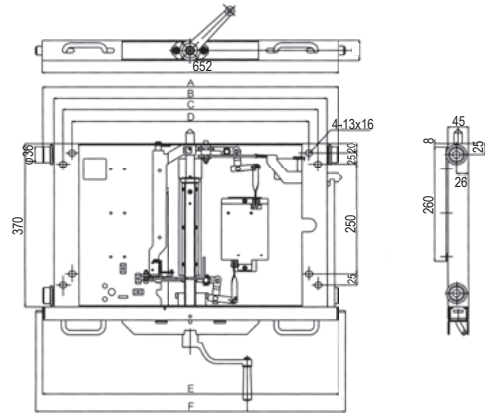
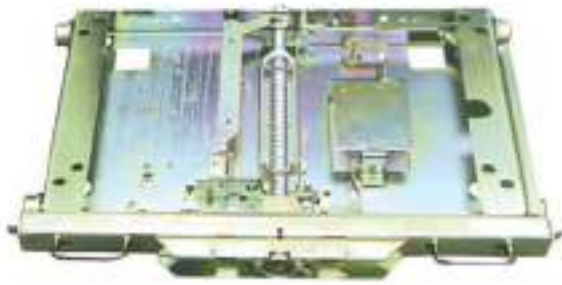
DPC-3-800 Chassis Truck



DPC-4-750 Chassis Truck

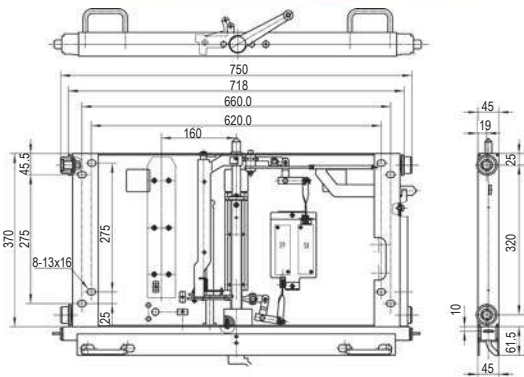


DPC-4-□Chassis Truck

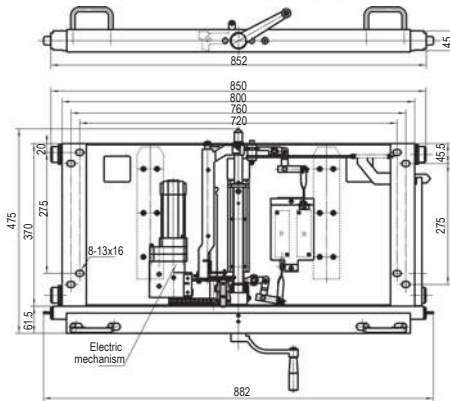


Model	A	B	C	D	E	F
DPC-4-650	500	450	410	385	502	535
DPC-4A-650				φ 13*30		
DPC-4-800	650	600	560	520	652	685
DPC-4A-800						

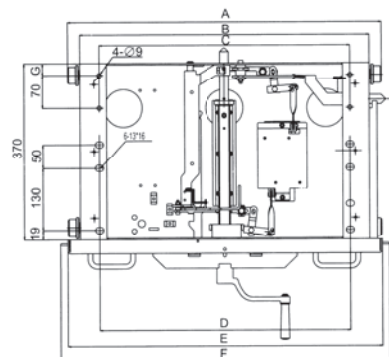
DPC-4-900 Chassis Truck



DPC-4-1000 Chassis Truck(For VBI)

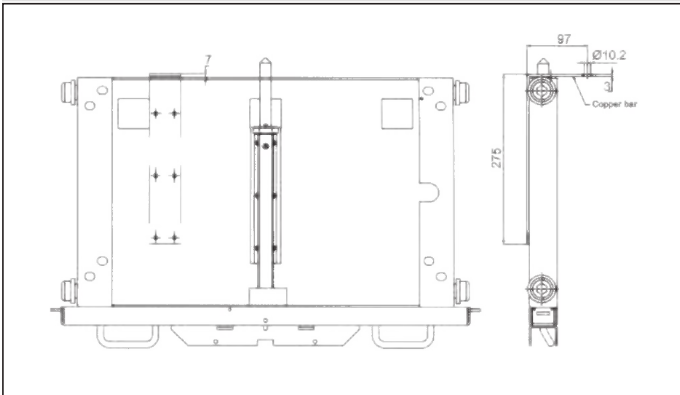


DPC-5-□Chassis Truck(For VBI)

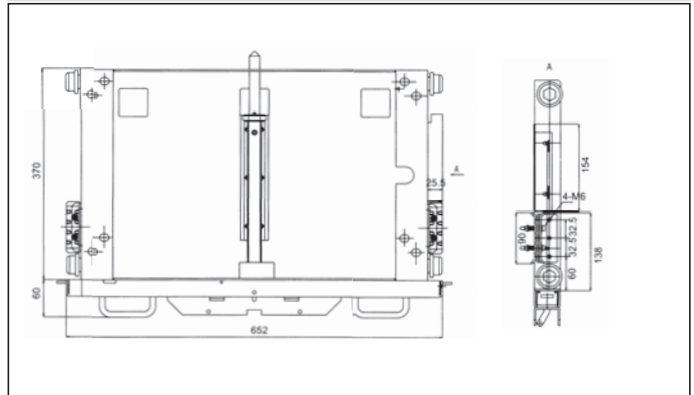


Model	A	B	C	D	E	F	G
DPC-5-800	650	600	520	520	652	685	25
DPC-5A-800							
DPC-5-1000	850	800	720	700	852	885	45
DPC-5A-1000							

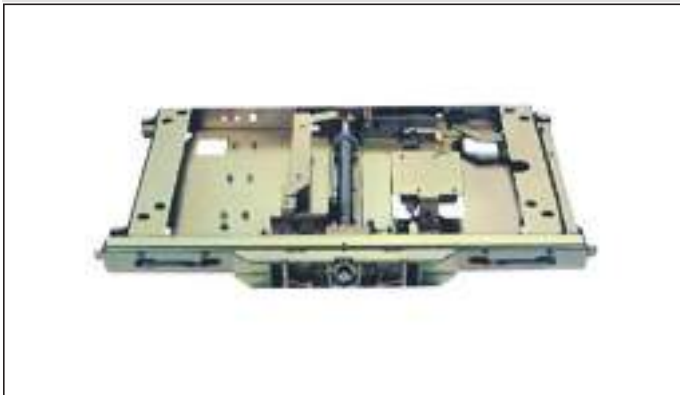
Earthing bar installation diagram



Earthing clip installation diagram



DPC-□-□ Chassis Truck



DPC Chassis Truck door interlock functions:

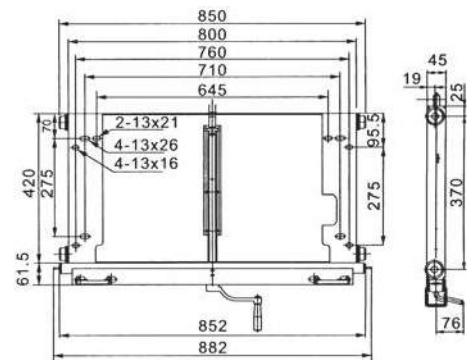
a.DPC-□-□/G Chasis Truck

This chassis truck can be operated only when the cabinet door is closed,no need to change the cabinet door.

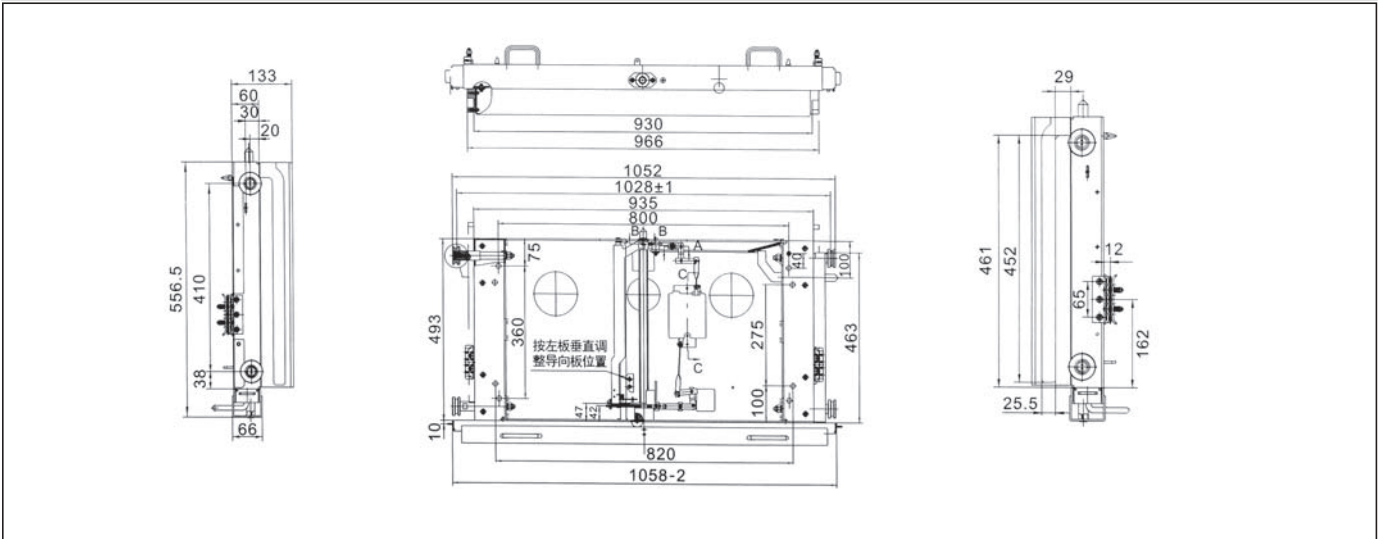
b.DPC-□-□/S Chasis Truck

This chasis truck increase the lock function based on item a,it means when the handcart leave the test position ,cabinet door is locked,can't be opened,only back to the test position,cabinet door can be opened,it needs to change the door.

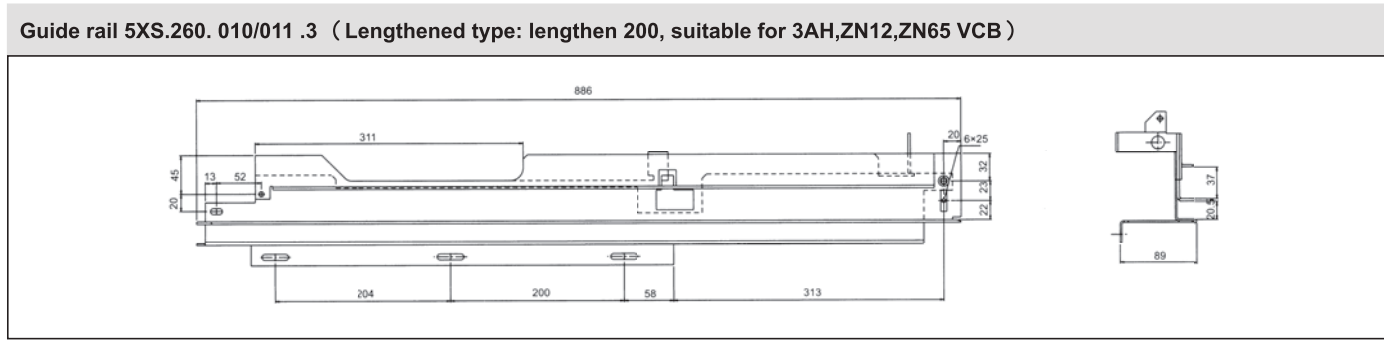
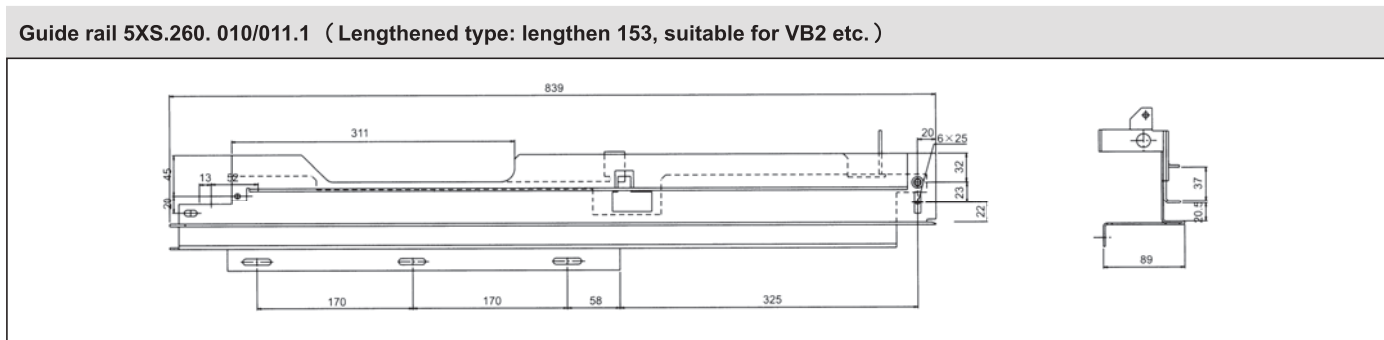
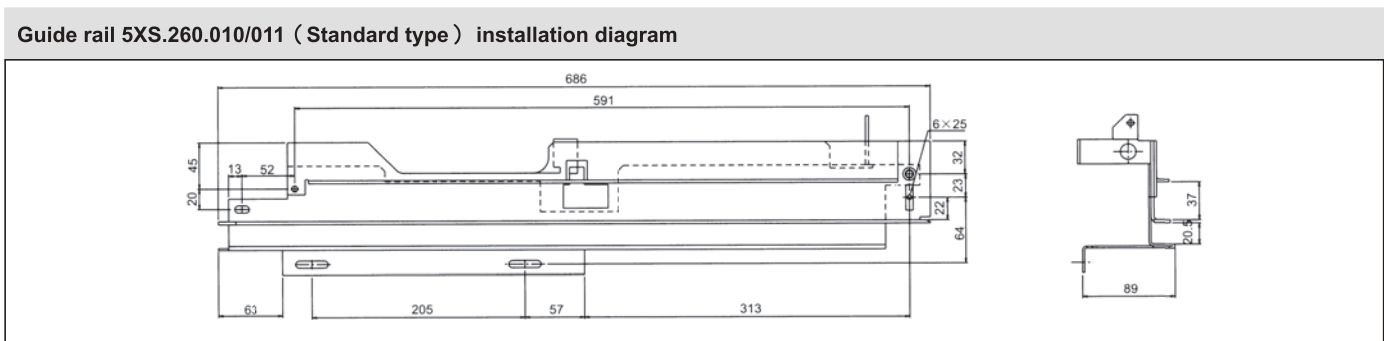
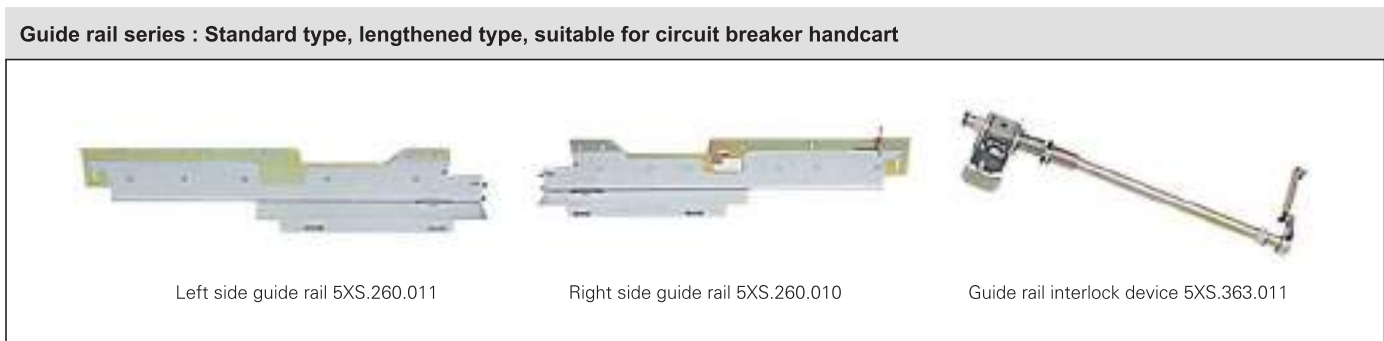
24kV Deepen type chassis truck 800-1000



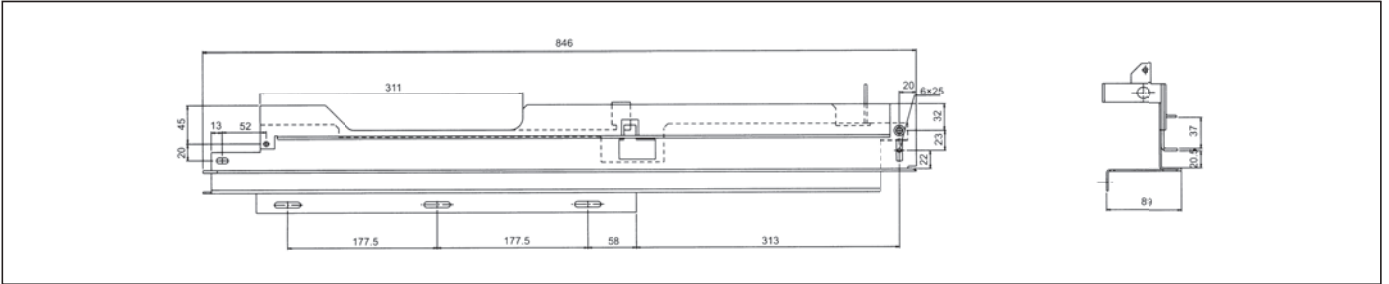
DPC-40.5-1200 chassis truck



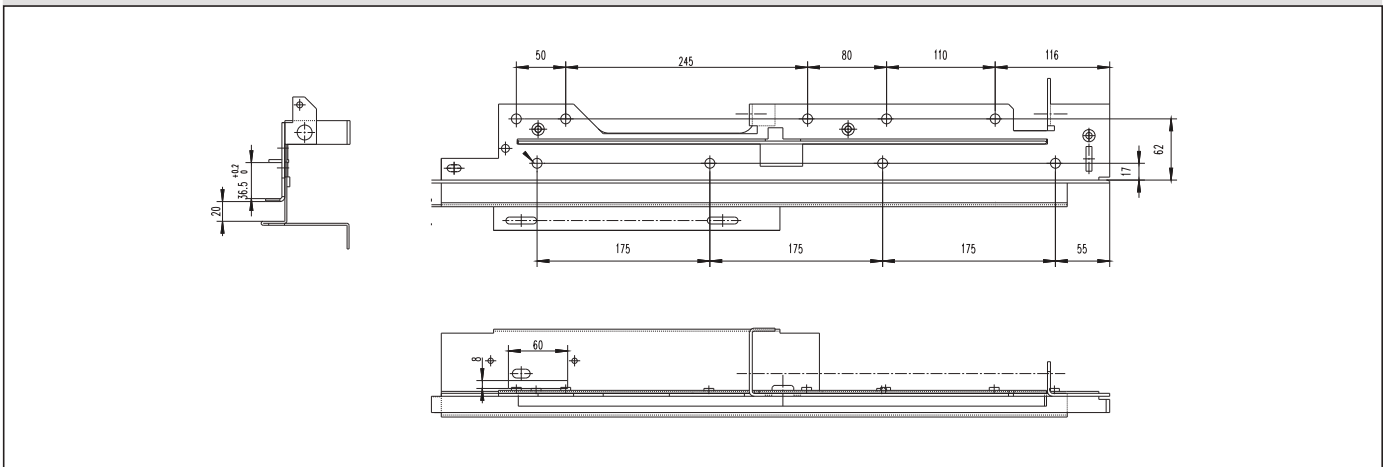
SWITCHGEAR ACCESSORIES SERIES



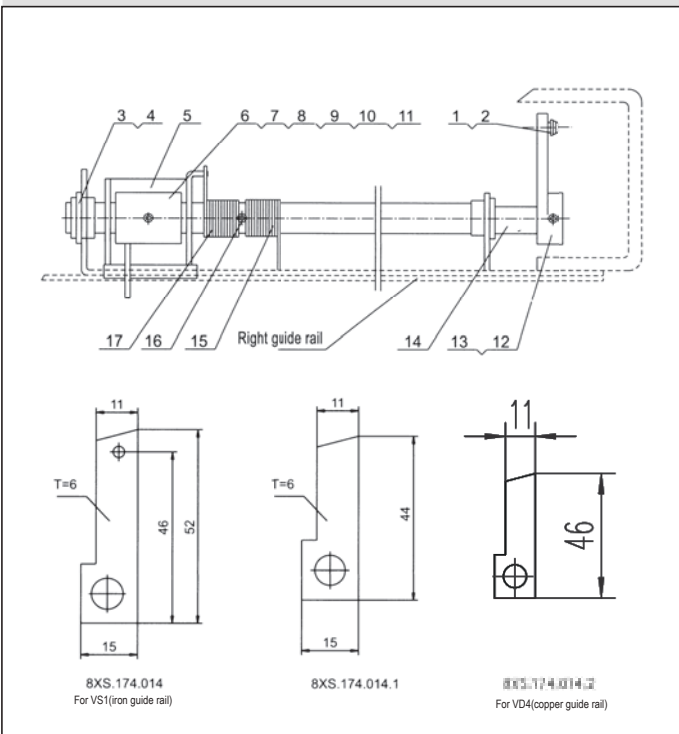
Guide rail 5XS.260.010/011.4 (Lengthened type: lengthen 160, suitable for low current VB2,24kV circuit breaker handcart)



Guide rail 5XS.260.010.20



Guide rail interlock device (5XS.363.011) installation diagram



Guide rail interlock device (5XS.363.011)

No.	Item	Code	Qty
1	Linking plate	5XS.174.010	1
2	Block card	DK-5	2
3	Bearing	8XS.263.010	2
4	Split baffle ring $\phi 9$	GB896-86	2
5	Bending plate	8XS.161.056	1
6	Bending plate	8XS.161.057	1
7	Pin shaft	8XS.206.010	1
8	Torsional spring	8XS.288.011	1
9	Washer $\phi 8$	GB97.1-85	2
10	Split baffle ring $\phi 6$	GB896-86	1
11	Baffle plate	8XS.174.014 8XS.174.014.1 (Option)	1
12	Connecting lever	5XS.156.010	1
13	Elastic cylindrical pin 4*20	GB897-86	2
14	Shaft weld	5XS.200.010	1
15	Torsional spring	8XS.288.013	1
16	Elastic cylindrical pin 4*30	GB879-86	1
17	Torsional spring	8XS.288.014	1

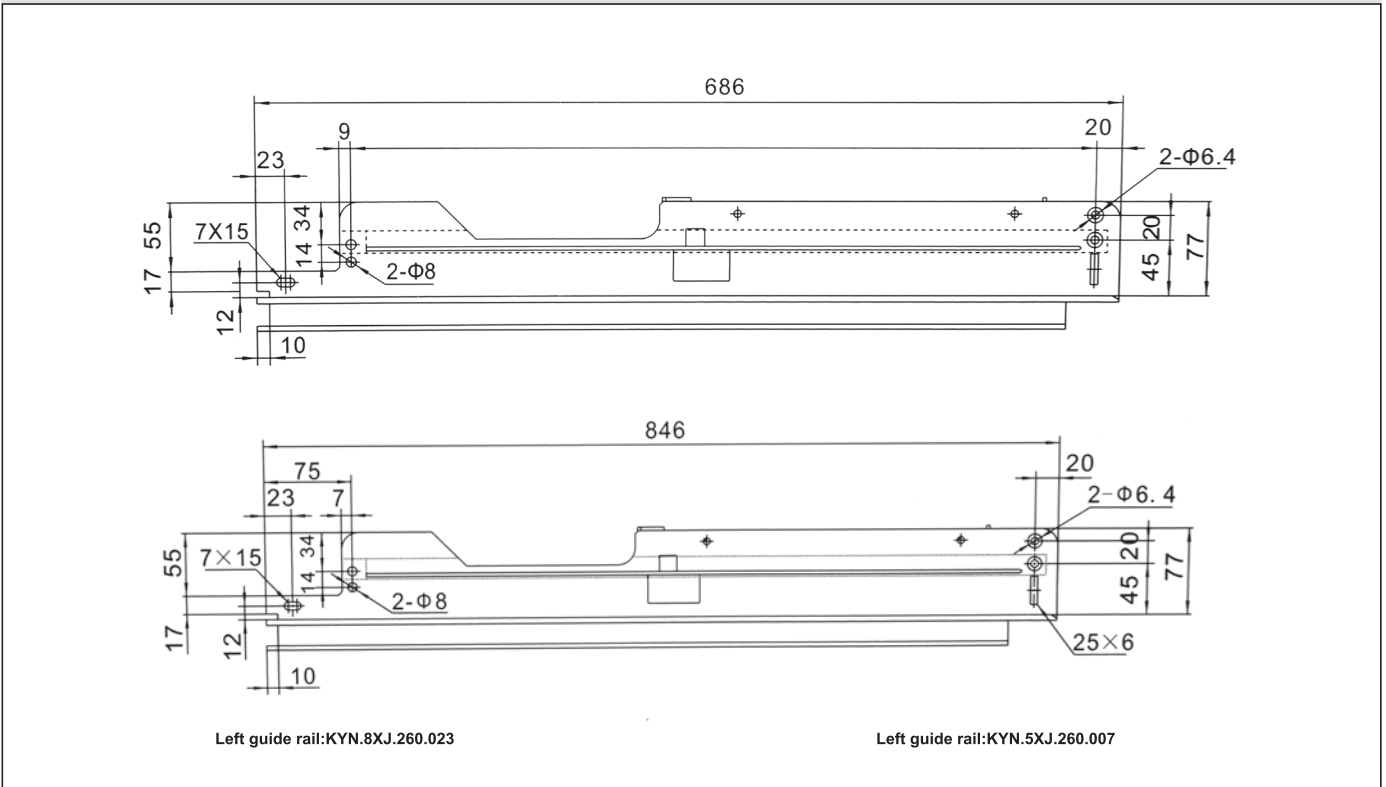
Left guide rail:KYN.8XJ.260.021



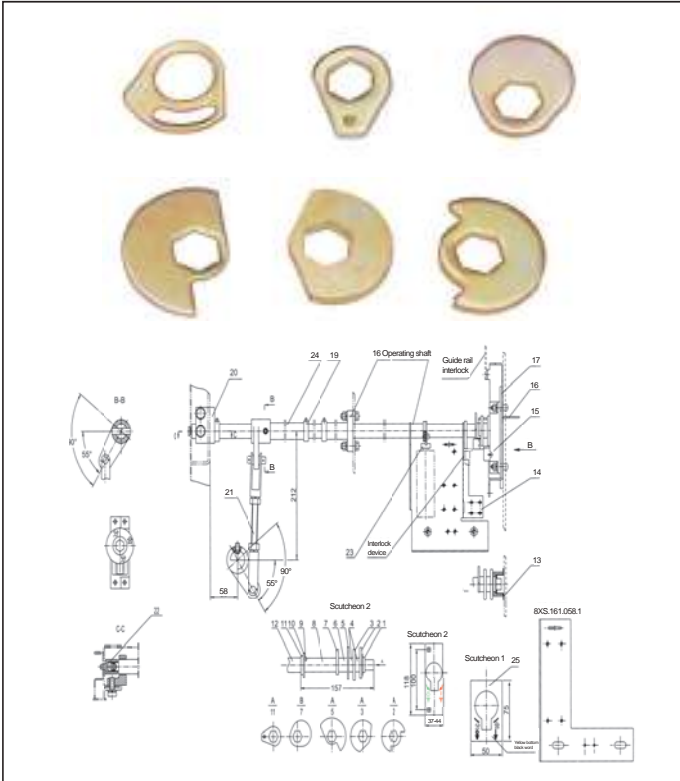
Left guide rail:KYN.5XJ.260.006



24kV Outline size of aluminum rail



Earthing switch operation mechanism interlock device (For arm drive operation)5XS.363.010

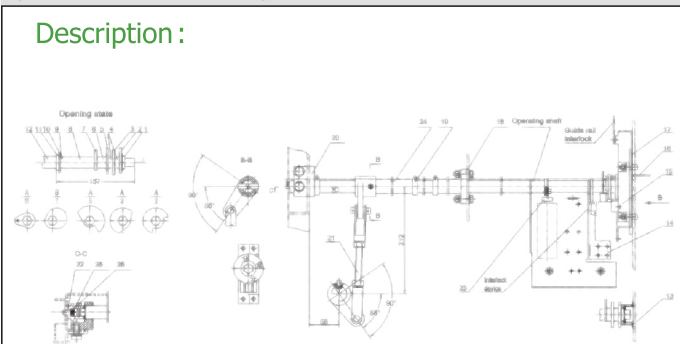


Earthing switch operation mechanism interlock device (For arm drive operation)5XS.363.010

No.	Item	Code	Qty
1	Bearing	8XS.263.011	1
2	Sector plate	8XS.192.010	1
3	Sector plate	8XS.192.011	1
4	Shaft sleeve	8XS.210.014.1	2
5	Sector plate	8XS.151.041	1
6	Shaft sleeve	8XS.211.061	1
7	Sector plate	8XS.151.039	1
8	Shaft sleeve	8XS.211.062	1
9	Screw M5*12	GB70-85	1
10	Sector plate	8XS.151.042	1
11	Sector plate	8XS.151.043	1
12	Operating shaft	8XS.200.010.1(L=1430 for 1500 depth cabinet)	1
		8XS.200.010.2(L=1590 for 1660 depth cabinet)	1
13	Cover	8XS.017.011	1
14	Bending plate	8XS.161.058	1
		8XS.161.058.1(Option)	1
15	Support	8XS.043.022	1
16	Bending plate	8XS.161.059	1
17	Slide block	8XS.143.010	2
18	Shaft sleeve	8XS.211.058	1
19	Stop collar	8XS.211.057	3
20	Support	8XS.043.019	1
21	Connecting rod assembly	8XS.233.030.1	1
		8XS.233.030.3(Option)	1
22	Lock sleeve	8XS.211.059	1
23	Dentate flashboard	8XS.151.044	1
24	Shaft sleeve	8XS.211.060	2
25	Scutcheon	8XS.860.010	1

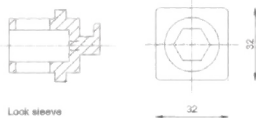
Earthing switch operation mechanism interlock device (For arm drive operation)5XS.363.010.1

Description :



This interlock device increase reverse interlock of the backdoor based on 5XS.363.010.Open the back door after the earthing switch closed,the 5XS.363.010 can still operate earthing switch,but this interlock can't ,you must close the back door before operating earthing switch.

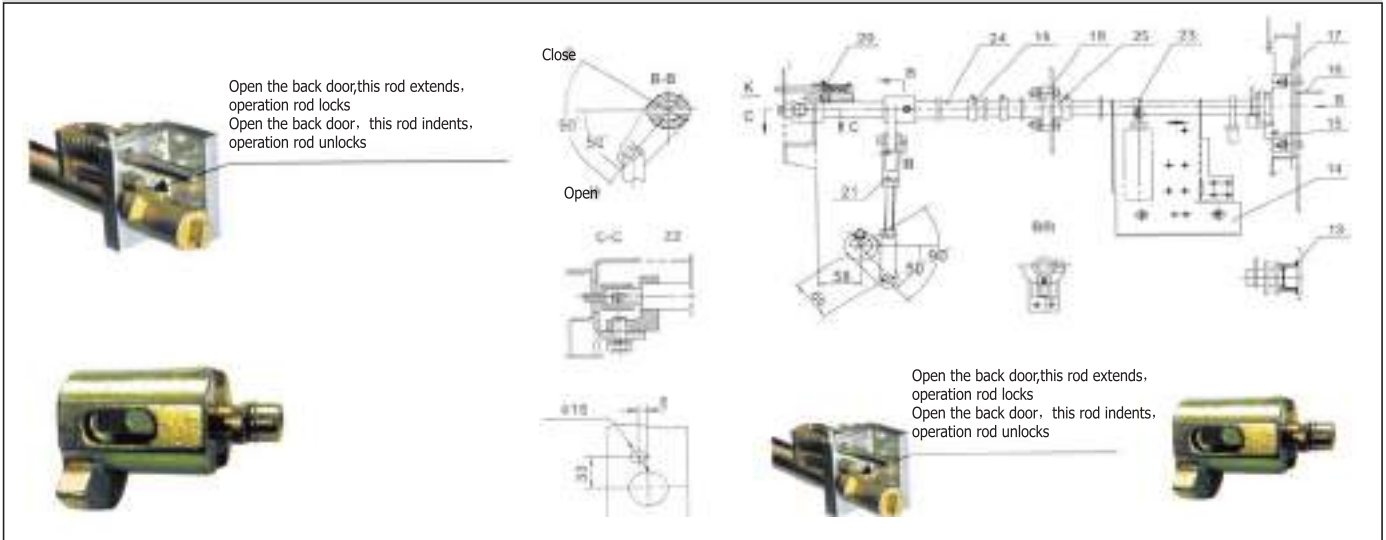
The working principle of this interlock device is change the No. 22 (Lock sleeve)such as the below drawing based on 5XS.363.010,and add spring.The lock sleeve enter the cabinet square hole (recommended size 35*35)when the back door open,the earthing switch can't operate.



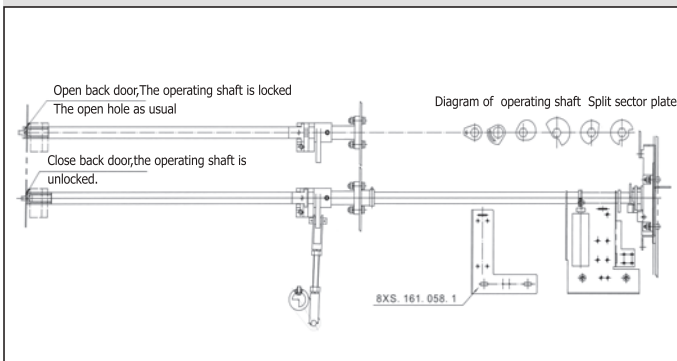
Earthing switch operation mechanism interlock device (For arm drive operation)5XS.363.010.1

No.	Item	Code	Qty
1	Bearing	8XS.263.011	1
2	Sector plate	8XS.192.010	1
3	Sector plate	8XS.192.011	1
4	Shaft sleeve	8XS.210.014.1	2
5	Sector plate	8XS.151.041	1
6	Shaft sleeve	8XS.211.061	1
7	Sector plate	8XS.151.039	1
8	Shaft sleeve	8XS.211.062	1
9	Screw M5*12	GB70-85	1
10	Sector plate	8XS.151.042	1
11	Sector plate	8XS.151.043	1
12	Operating shaft	8XS.200.010.1(L=1430 for 1500 depth cabinet)	1
		8XS.200.010.2(L=1590 for 1660 depth cabinet)	1
13	Cover	8XS.017.011	1
14	Bending plate	8XS.161.058	1
		8XS.161.058.1(Option)	1
15	Support	8XS.043.022	1
16	Bending plate	8XS.161.059	1
17	Slide block	8XS.143.010	2
18	Shaft sleeve	8XS.211.058	1
19	Stop collar	8XS.211.057	3
20	Support	8XS.043.019	1
21	Connecting rod assembly	8XS.233.030.1	1
		8XS.233.030.3(Option)	1
22	Lock sleeve	8XS.211.059	1
23	Dentate flashboard	8XS.151.044	1
24	Shaft sleeve	8XS.211.060	2
25	Scutcheon	8XS.860.010	1
26	Pin	8YF.993.050.1	1

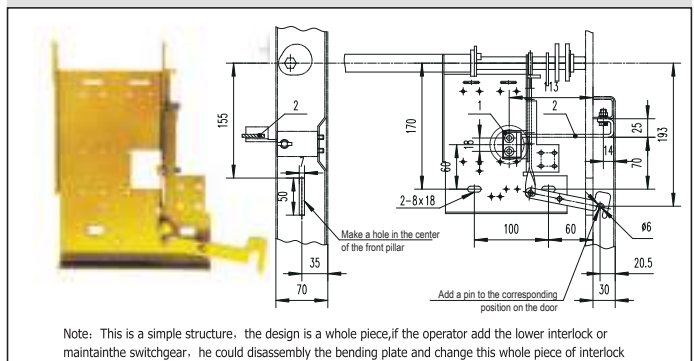
Earthing switch operation mechanism interlock device(Used for connecting lever operation)5XS.363.010.2 drawing



Earthing switch operation mechanism interlock device5XS.363.010.3JY



Interlock mechanism KYN.55XJ.239.011 drawing

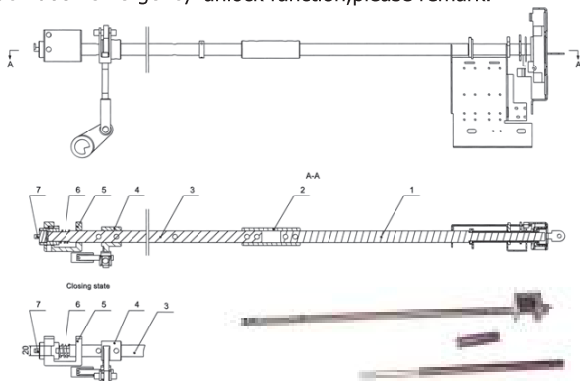


Note: This is a simple structure, the design is a whole piece, if the operator add the lower interlock or maintain the switchgear, he could disassembly the bending plate and change this whole piece of interlock

Earthing switch operation mechanism interlock device (For arm drive operation)5XS.363.010.3

Description :

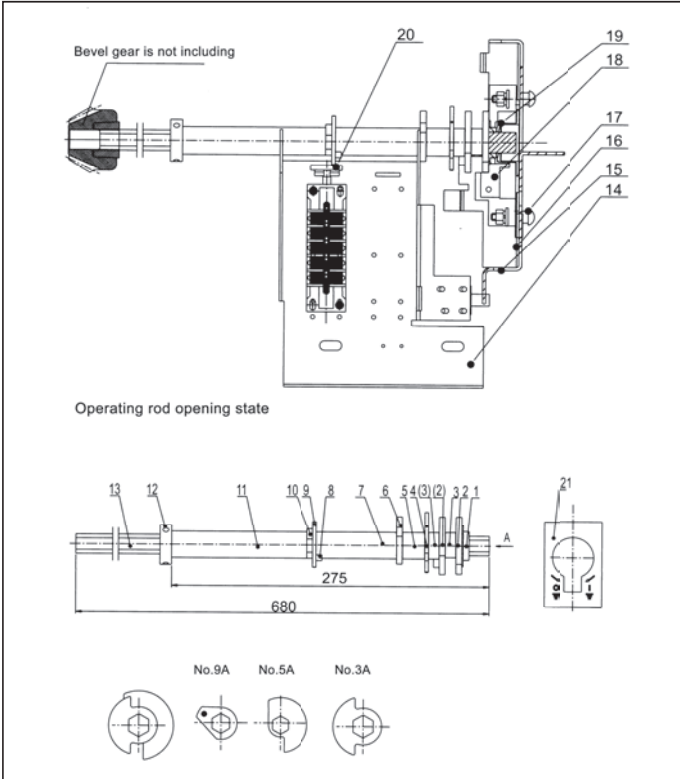
This interlock device improved based on 5XS.363.010, the user can realize the function of anti-lockout with no need to change any size of the cabinet (earthing switch can't operate when the back door open, the same as 5XS.363.010.1). This interlock device is more reliable and strength than 5XS.363.010.1, it can maximize the reduction of damage to components when the staff operating error. If customers need the back door emergency unlock function, please remark.



Technical Parameter

No.	Item	Code	Qty	Remark
1	Front shaft	8YF.098.184	1	
2	Connecting sleeve	8YF.098.186	1	
3	Back shaft	8YF.098.185	1	L=841 for 1500 depth cabinet L=1001 for 1660 depth cabinet
4	Connecting rod assembly	5YF.223.030.1~3	1	
5	Interlocking support	5YF.098.160	1	
6	Pressure spring	8YF.099.141	1	
7	T shape lock sleeve	8YF.098.187	1	

**Earthing switch operation mechanism interlock device
(For bevel gear operation) 5XS.577.1001**



Technical Parameter

No.	Item	Code	Qty
1	Bearing	8XS.263.011	1
2	Limiting plate	8XS.151.084	2
3	Shaft sleeve	8XS.210.014.1	2
4	Sector plate	8XS.151.041	1
5	Shaft sleeve	8XS.210.061	1
6	Sector plate	8XS.151.039	1
7	Shaft sleeve	8XS.211.062	1
8	Screw M5*12	GB70-85	1
9	Sector plate	8XS.151.042	1
10	Sector plate	8XS.151.043	1
11	Shaft sleeve	8XS.210.014.3	1
12	Stop collar	8XS.210.322	1
13	Operating rod	8XS.174.214	1
14	Bending plate	8XS.161.058	1
15	Bending plate	8XS.161.059	1
16	Slide block	8XS.143.010	1
17	Carriage bolt M6*25	GB12-88	1
18	Support	5XS.043.022	2
19	Cover	8XS.017.011	1
20	Dentate flashboard	8XS.151.044	1
21	Scutcheon	8XS.860.010	1

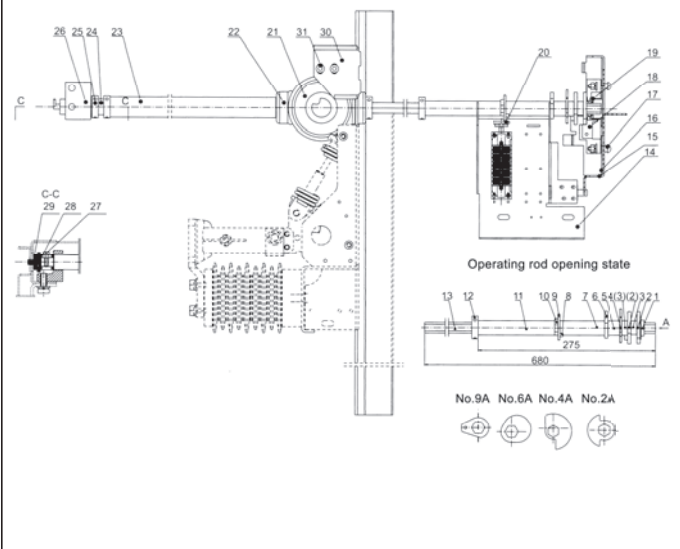
The mechanism needs to use with the lower door interlock.
Please indicate when place order.

**Earthing switch operation mechanism interlock device
(For bidirectional bevel gear operation) 5XS.577.1002/5XS.577.1002.1**

Characteristic:

Using bidirectional (whole tooth) bevel gear ,realize backdoor(closing board) interlock and has two forms:

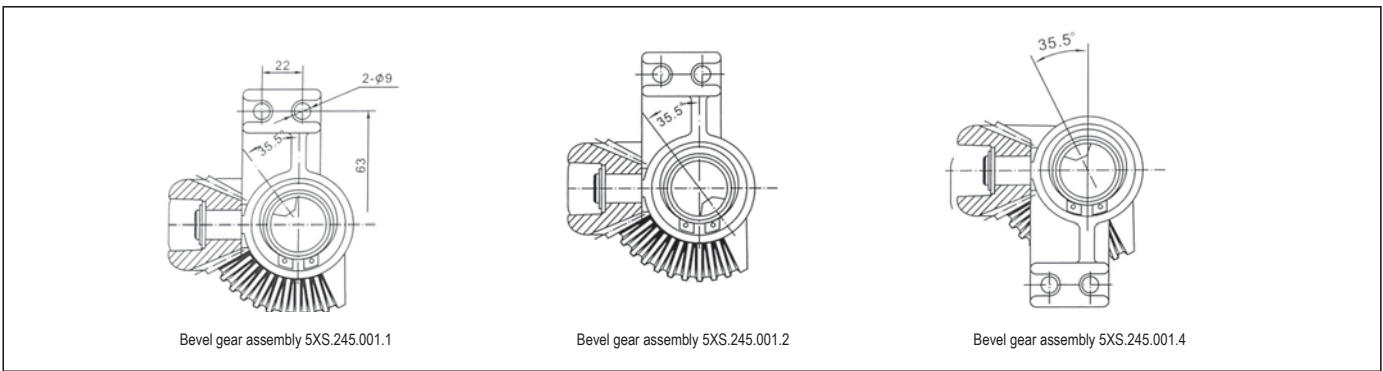
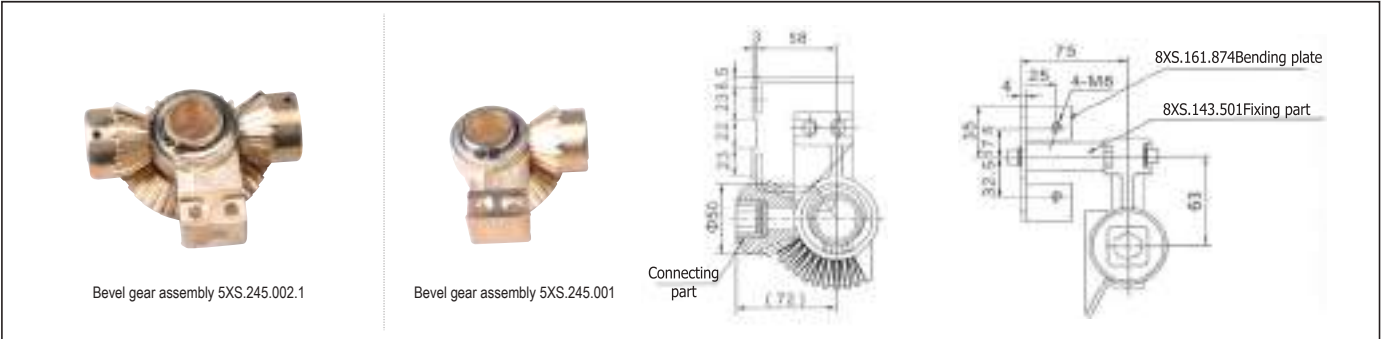
- a: 5XS.577.1002 is unidirectional interlock,has the same interlock function as 5XS.363.010.
- b: 5XS.577.1002.1 is bidirectional interlock,has the same interlock function as 5XS.363.010.1.



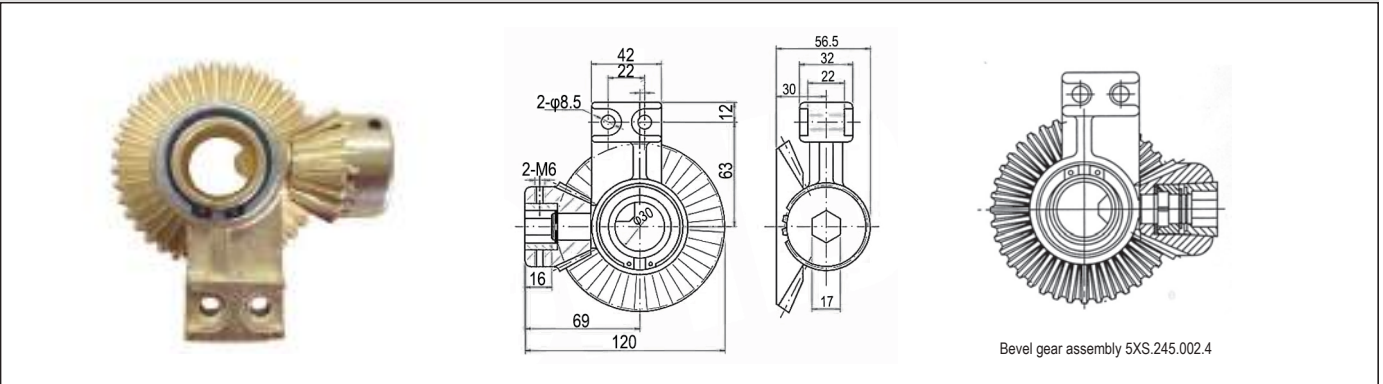
Technical Parameter

No.	Item	Code	Qty
1	Bearing	8XS.263.011	1
2	Limiting plate	8XS.151.084	2
3	Shaft sleeve	8XS.210.014.1	2
4	Sector plate	8XS.151.041	1
5	Shaft sleeve	8XS.210.061	1
6	Sector plate	8XS.151.039	1
7	Shaft sleeve	8XS.211.062	1
8	Screw M5*12	GB70-85	1
9	Sector plate	8XS.151.042	1
10	Sector plate	8XS.151.043	1
11	Shaft sleeve	8XS.210.014.3	1
12	Stop collar	8XS.210.322	1
13	Operating rod	8XS.174.214	1
14	Bending plate	8XS.161.058	1
15	Bending plate	8XS.161.059	1
16	Slide block	8XS.143.010	1
17	Carriage bolt M6*25	GB12-88	1
18	Support	5XS.043.022	2
19	Cover	8XS.017.011	1
20	Dentate flashboard	8XS.151.044	1
21	Bevel gear assembly	8XS.245.002.1	1
22	Connecting block	8XS.143.108.2	1
23	Shaft sleeve	8XS.211.060	1
24	Operating shaft(for 5XS.577.1002)	8XS.200.011.1(for 1500 depth cabinet) 8XS.200.011.2(for 1660 depth cabinet)	2
	Operating shaft(for 5XS.577.1002.1)	8XS.200.012.1(for 1500 depth cabinet) 8XS.200.012.2(for 1660 depth cabinet)	1
25	Stop collar	8XS.211.057	2
26	Support	8XS.043.019	2
27	Pin	8YF.993.051.1	1
28	Pressure spring	8YF.282.201(for 5XS.577.1002.1) 8YF.211.059(for 5XS.577.1002)	1
29	Lock sleeve	8YF.211.201(for 5XS.577.1002.1)	1
30	Bending plate	8XS.161.874	1
31	Fixed block	8XS.143.501	1

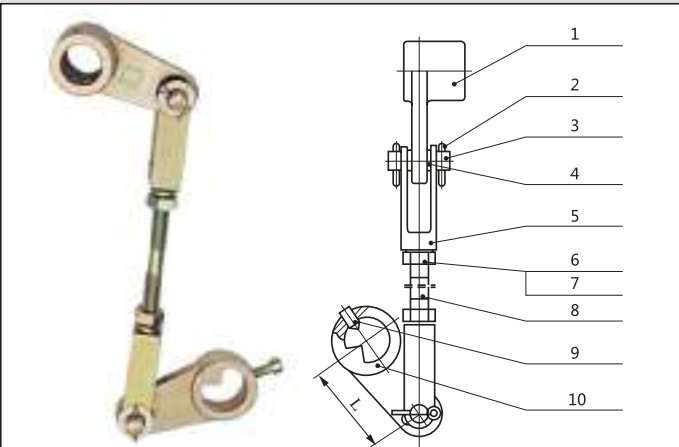
The assembly part number and size of bevel gear



5XS.245.002.4 Full circle one-way bevel gear (5XS.245.003)



Connecting rod assembly 5XS.233.030.1~3

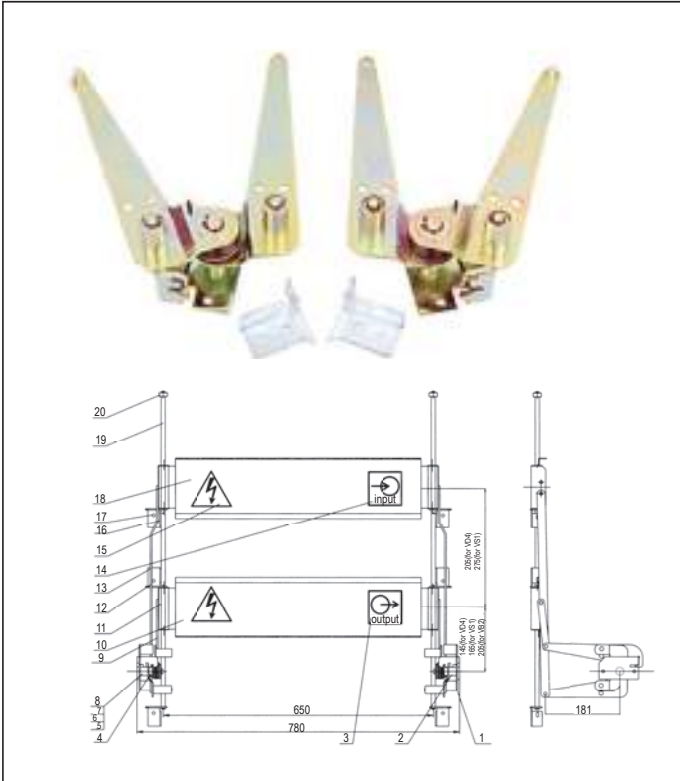


Technical Parameter

No.	Item	Code	Qty	L
1	Connecting lever	5XS.151.016	1	
2	Split pin 4*20	GB91-86	4	
3	Perforated pin 12*40	GB880-86	2	
4	Washer	8XS.950.010	4	
5	Support	8XS.257.010	2	
6	Nut M12	GB170-86	2	
7	Washer φ 12	GB93-87	2	
8	Stud M12*120	GB901-88	1	
9	Screw M8*16	GB78-85	1	
10	Connecting lever	5XS. 233. 030. 1 connecting lever	1	60
		For 5XS. 151. 017		
		5XS. 233. 030. 3 connecting lever	1	80
		For 5XS. 151. 017		

Note: Connecting rod usually matches with the connecting lever of L60. If you need the connecting lever of L80, please give clear indication when ordering.
If you want to change length of No.8(Stud), please give clear indication.

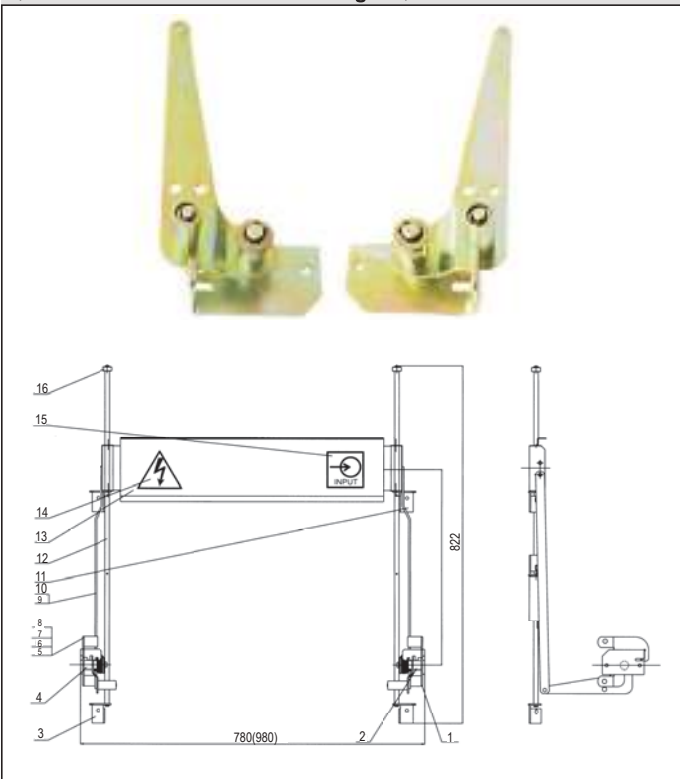
Shutter mechanism (For 800mm width switchgear) 5XS.320.010



Technical Parameter

No.	Item	Code	Qty
1	Right support	8XS.123.011	1
2	Right linking plate	5XS.235.011	1
3	Sign	8XS.866.014	1
4	Left linking plate	5XS.235.010	1
5	Washer $\Phi 6$	GB97.1-85	16
6	Elastic washer $\Phi 6$	GB93-87	10
7	Bolt M6*12	GB5783-86	10
8	Left support	8XS.123.010	1
9	Linking plate welding	5XS.174.016.1 (for VD4) 5XS.174.016.2 (for VS1) 5XS.174.016.3 (for VB2) 8XS.320.010 (800mm)	2
10	Down shutter	8XS.320.010.1 (650mm) 8XS.320.010.2 (840mm) 8XS.320.010.3 (900mm) 8XS.320.010.4 (1000mm)	1
11	Block card	DK-8	8
12	Support plate	8XS.123.013	3
13	Linking plate welding	5XS.174.015.1 (for VD4) 5XS.174.015.2 (for VS1) 5XS.174.015.3 (for VB2)	2
14	Sign	8XS.866.012	1
15	Sign	8XS.866.013	2
16	Support plate	8XS.123.012	3
17	Nut M6	GB6170-86	6
18	Upper shutter	8XS.320.011 (800mm) 8XS.320.011.1 (650mm) 8XS.320.011.2 (840mm) 8XS.320.011.3 (900mm) 8XS.320.011.4 (1000mm)	1
19	Guide rod	8XS.234.011 (for VD4.VS1) 8XS.234.011.1 (for VB2)	2
20	Stop collar	8XS.210.011	2

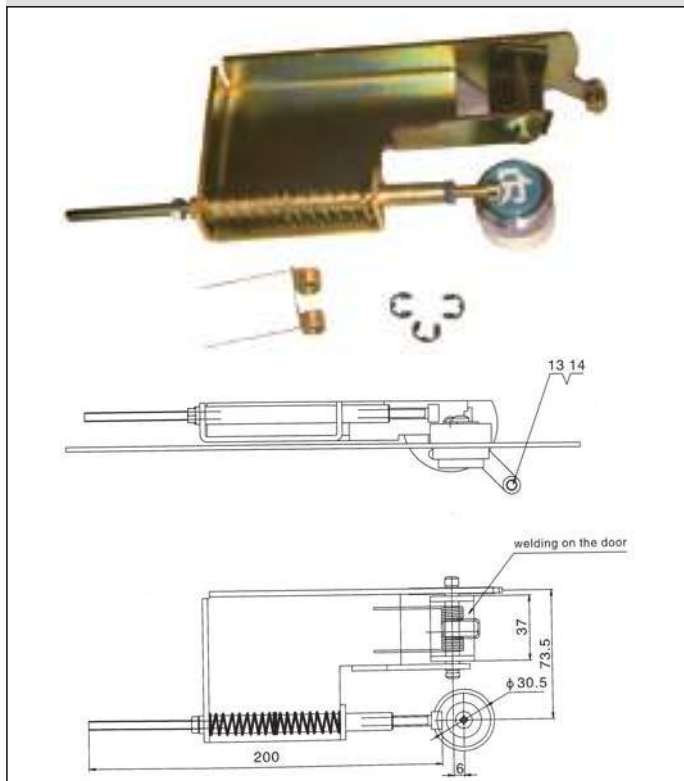
Upper shutter mechanism 5XS.320.012/5XS.320.012.1 (For 800mm/1000mm width switchgear)



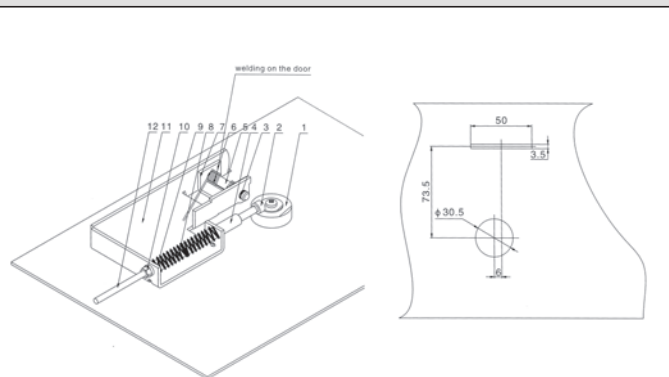
Technical Parameter

No.	Item	Code	Qty
1	Right support	8XS.123.011	1
2	Down linking plate(right)	5XS.174.004	1
3	Support plate	8XS.123.012	2
4	Down linking plate(left)	5XS.174.003	1
5	Washer $\phi 6$	GB97.1-85	14
6	Washer $\phi 6$	GB93-87	8
7	Bolt M6*12	GB5783-86	8
8	Left support	8XS.123.011	1
9	Block card	DK-8	4
10	Linking plate welding	5XS.174.015.1(H=535, VD4, 31.5KA) 5XS.174.015.2 (H=465, the same as VD4, 31.5KA) 5XS.174.015.3(H=555, the same as VS1)	2
11	Support plate	8XS.123.013	2
12	Guide rod	8XS.234.011	2
13	Upper shutter	8XS.320.011 (for 800mm depth cabinet) 8XS.320.011.5(for 1000mm depth cabinet)	1
14	Sign	8XS.886.013	1
15	Sign	8XS.886.012	1
16	Stop collar	8XS.210.011	2

Emergency opening device



Technical Parameter

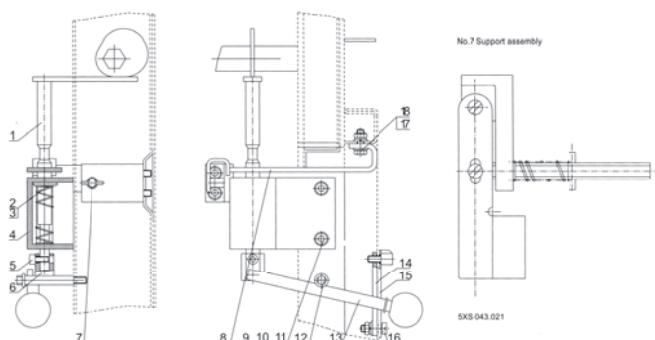


No	Item	Code	Qty pcs/set
1	Push button(open)		1
2	Socket head screw	M6x30	1
3	Split gasket	6	2
4	Mandrel	9YF.050.173	1
5	Supporting shaft	9YF.050.172	1
6	Torsion spring	9YF.050.174	1
7	Fixed curved plate	9YF.050.171	1
8	Pressure spring	8YF.282.021	2
9	Elastic pin	3x18	1
10	Nut	M6	2
11	Curved plate	9YF.050.170	1
12	Screw	M6x75	1
13	Socket head screw	M6x10	1
14	Red ball		1

Interlock mechanism 5XS.239.010

Characteristic :

This mechanism after improved, earthing switch can't be opened when the backdoor is unlocked and handcart can not enter the working position . You must firstly shut the door and make the earthing switch opening ,then the handcart enter the work position from the test position to ensure personal safety .

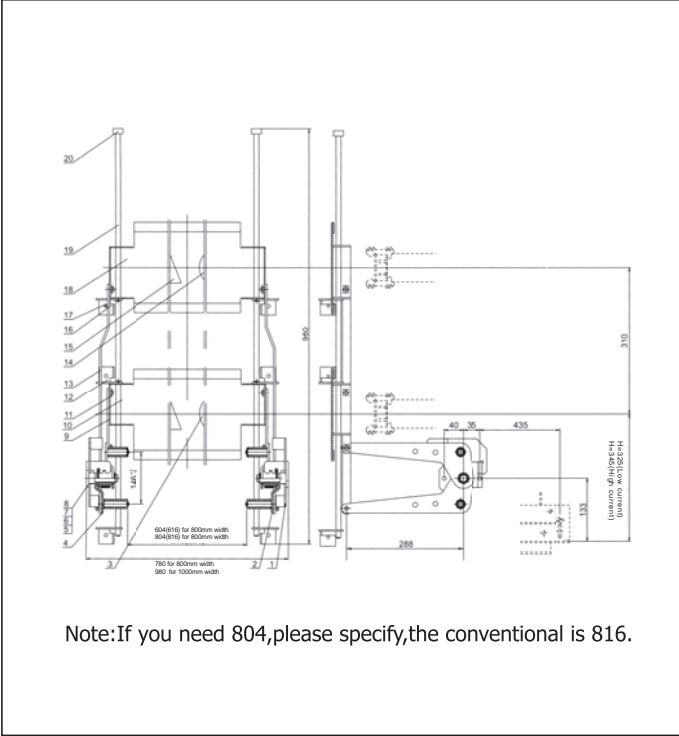


Interlock mechanism 5XS.239.010



No.	Item	Code	Qty
1	Pin shaft welding	5XS.234.013	1
2	Pressure spring	8XS.282.021	1
3	Pin ϕ 3*20	GB79-86	2
4	Support	8XS.043.020	1
5	Screw M5*12	GB70-85	1
6	Cap	8XS.017.010	1
7	Support assembly	5XS.043.021	1
8	Tongue	8XS.060.012	1
9	Screw M6*20	GB70-85	3
10	Washer ϕ 6	GB93-87	5
11	Washer ϕ 6	GB97.1-85	7
12	Pin	8XS.200.015	1
13	Handle	5XS.253.010	1
14	Base plate	8XS.156.011	1
15	Bending plate	8XS.161.055	1
16	Pin	8XS.933.051	2
17	Screw M6*20	GB5783-85	2
18	Nut M6	GB6170-86	2

5XS.320.011.1-24 (For 800mm width switchgear)
Shutter mechanism 5XS.320.011-24 (For 1000mm width switchgear)

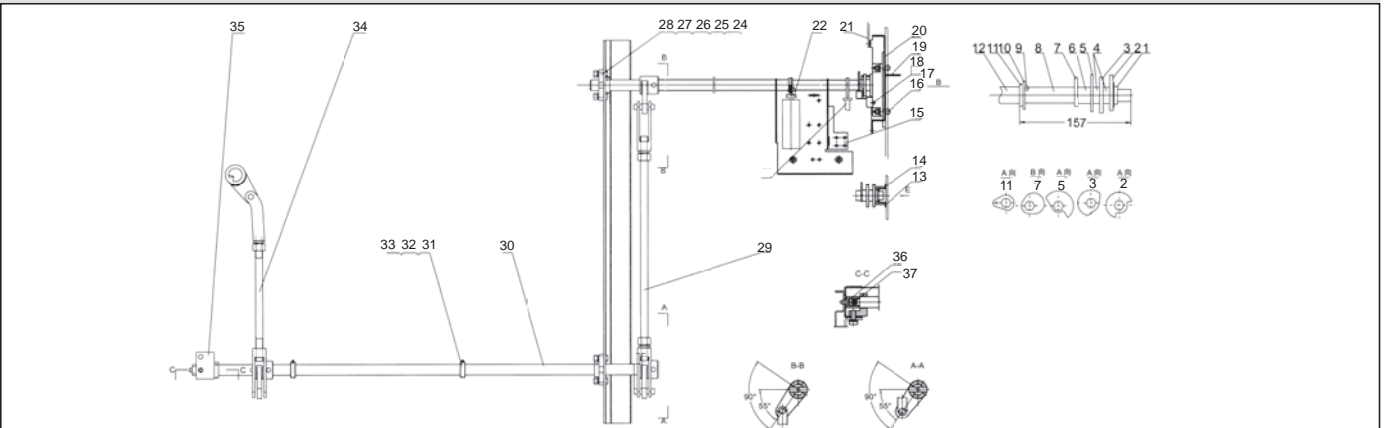


5XS.320.011.1-24 (For 800mm width switchgear)
Shutter mechanism 5XS.320.011-24 (For 1000mm width switchgear)

No.	Item	Code	Qty
1	Right support	8XS.123.276	1
2	Right linking plate	8YF.088.061	1
3	Sign	8YF.088.063	1
4	Left linking plate	8XS.866.014	1
5	WasherΦ6	GB97.1 - 85	16
6	Elastic washerΦ6	GB93 - 87	10
7	Bolt M6*12	GB5783-86	10
8	Left support	8XS.123.275	1
9	Linking plate welding	8YF.008.072	2
10	Down shutter	8XS.320.273(1000mm)	1
		8XS.320.273.1(800mm)	
		5XS.320.275(1000mm insulation)	
11	Block card	DK-10	8
12	Support plate	8XS.123.278	3
13	Linking plate weld	8YF.008.071	2
14	Sign	8XS.866.012	1
15	Sign	8XS.866.013	2
16	Support plate	8XS.123.277	3
17	Nut M6	GB6170 - 86	6
18	Upper shutter	8XS.320.274(1000mm)	1
		8XS.320.274.1(800mm)	
		5XS.320.275(1000mm insulation)	
19	Guide rod	8YF.008.073	2
20	Stop collar	8XS.210.011	2

* Note: 5XS.320.275 is insulated shutter, the middle material is DMC plate, the two ends material is steel.

Earthing switch operation mechanism interlock device (For arm drive operation) 5XS.363.010-241/242



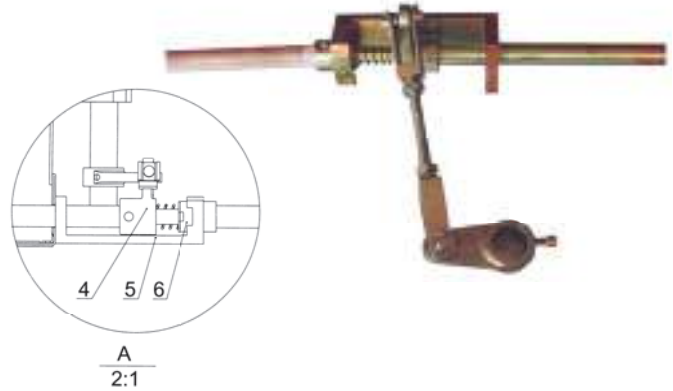
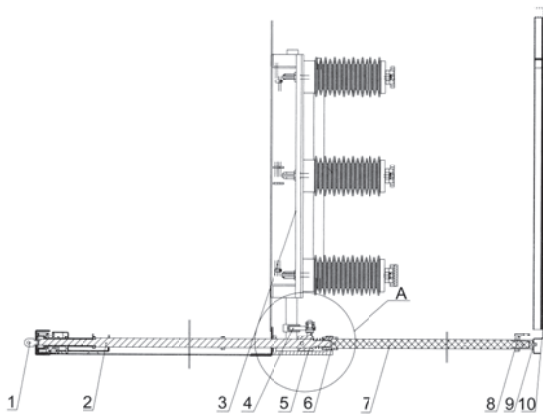
No.	Item	Code	Qty
1	Bearing	8XS.263.011	1
2	Sector plate	8XS.192.010	1
3	Sector plate	8XS.192.011	2
4	Shaft sleeve	8XS.210.014.1	2
5	Sector plate	8XS.151.041	4
6	Shaft sleeve	8XS.211.061	4
7	Sector plate	8XS.151.039	1
8	Shaft sleeve	8XS.211.062	2
9	Screw M5*12	GB70 - 85	1
10	Sector plate	8XS.151.042	1
11	Sector plate	8XS.151.043	1
12	Front operating shaft (L=870)	8YF.008.800	1
	Front operating shaft (L=960)	8YF.008.800.1	1
13	Cover	8XS.017.011	1
14	Support	8XS.043.022	1
15	Bending plate	8XS.161.058	1
16	Carriage bolt M6*30	GB12-86	2
17	Baffle plate	8XS.143.011	1
18	Pin 4*20	GB879-86	1

No.	Item	Code	Qty
19	Bending plate	8XS.151.059	1
20	Slide block	8XS.143.010	2
21	Guide interlocking	5XS.363.011	1
22	Dentate flashboard	8XS.151.044	1
23	Interlock mechanism	5XS.239.010	1
24	Shaft sleeve	8XS.211.058	1
25	Bolt M8*25	GB5783-86	2
26	Washer φ8	GB97.1-85	4
27	Washer φ8	GB93-87	2
28	Nut M8	GB170-86	2
29	Connecting rod assembly	8YF.008.882	1
30	Back operating shaft	8YF.008.881	1
31	Stop collar	8XS.211.057	3
32	Hexagonal screw M5*10	GB78-85	3
33	Shaft sleeve	8XS.211.060	2
34	Connecting rod assembly	86F.008.883	1
35	Support	8XS.043.019	1
36	Lock sleeve	8XS.211.059	1
37	Hexagonal screw M6*16	GB70-858	1

24KV Earthing interlock 5XS.363.010-243

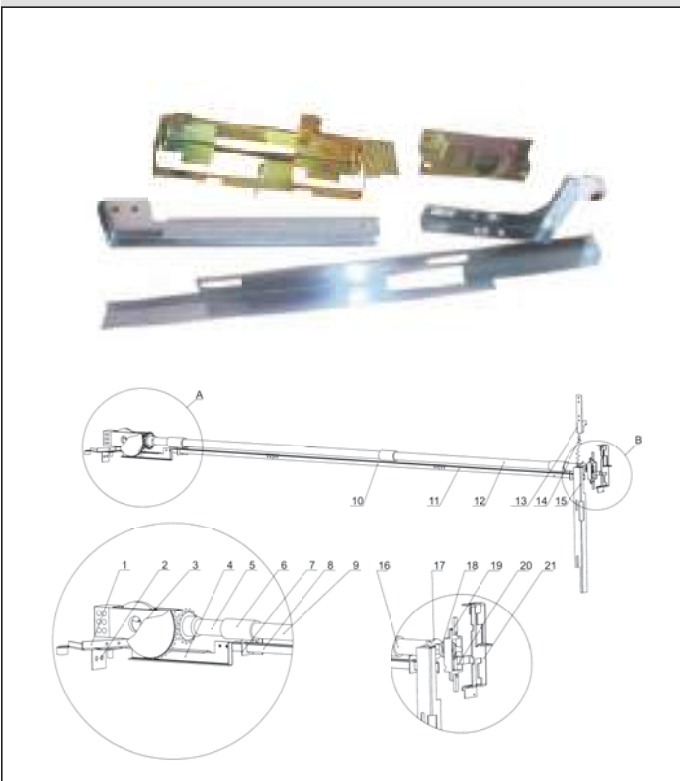
Description:

This scheme just applicable when the earthing switch mounted in the center. Pls choose 5XS.363.010-241/242 if mounted in the back. There's no need to consider the grounding spacing between busbar and operating rod as the backshaft used insulating material. Greatly improve the reliability and security. It has backdoor anti-lockout feature, has the same strength with 5XS.363.010.3.



No.	Item	Code	Qty	备注
1	Bending plate	8XS.161.059	1	
2	Operating shaft	9YF.009.424	1	
3	Earthing switch	JN15-24/31.5-275	1	
4	Connecting rod assembly	5XS.223.030.1~3	1	
5	Connecting block welding	5YF.009.420	1	
6	Retainer	9YF.009.423	1	
7	Insulating axle	8YF.091.100.1	1	
8	Support	5YF.043.022	1	
9	Lengthen lock sleeve	8YF.211.059.1	1	
10	Backdoor		1	

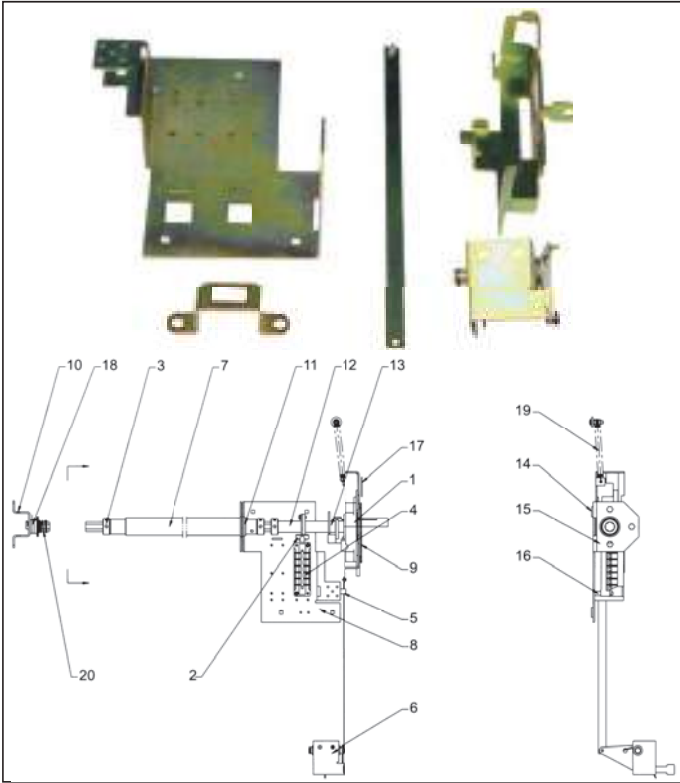
KYN61 Earthing interlock (Linkage type) installation diagram



KYN61 Earthing interlock (Linkage type)

No.	Item	Code	Qty
1	Bending plate assembly		1
2	Back support	9YF.007.083	1
3	Bevel gear assembly		1
4	Bending plate	9YF.007.055	1
5	Connecting shaft		1
6	Connecting sleeve	9YF.007.076	3
7	Guide bending plate	9YF.007.077	2
8	Bending plate	9YF.007.079	1
9	Operating shaft	9YF.007.071	1
10	Connecting strip	9YF.007.082	1
11	Retainer bending plate	9YF.007.081	1
12	Operating shaft	9YF.008.072	1
13	Bending plate	9YF.007.052	1
14	Tension spring	8XS.288.016	3
15	Bending plate	9YF.007.056	1
16	Operating shaft	9YF.010.075	1
17	Sector plate	9YF.007.050	1
18	Plain washer	9YF.007.073	1
19	Slide block	8XS.143.010.1	2
20	Aluminum support	8XS.043.022.35	1
21	Bending plate	8XS.161.059.35	1

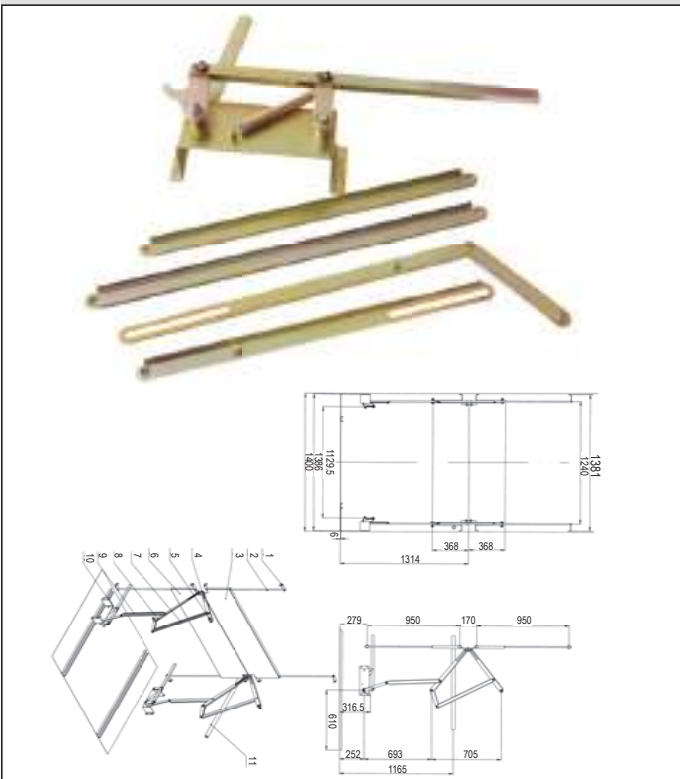
KYN61C Earthing interlock installation diagram



KYN61C Earthing interlock

No.	Item	Code	Qty
1	Interlock module	5XS-363-010	1
2	Dentate flashboard	8XS-151-044	1
3	Stop collar	8XS-211-063	3
4	Travel switch(Push-on type)	GDF-5Y-H	1
5	Latching electromagnet	MV-BSDT	1
6	Earthing and handcart interlock device	YF-050-34203	1
7	Earthing switch shaft assembly	YF-050-44217B	1
8	Bending plate	YF-055-34111	1
9	Plate	YF-055-41115	1
10	Lock catch	YF-055-44119	1
11	Shaft sleeve	YF-055-44125	1
12	Sleeve	YF-055-44126	2
13	Sleeve	YF-055-44126B	2
14	Washer	YF-055-44127	5
15	Platen	YF-055-44129	1
16	Sleeve	YF-055-44147	2
17	Adhesive sticker	YF-055-44159	1
18	Interlock block	YF-055-44164	1
19	Tension spring	YF-055-44191	1
20	Pressure spring	YF-055-44197	1

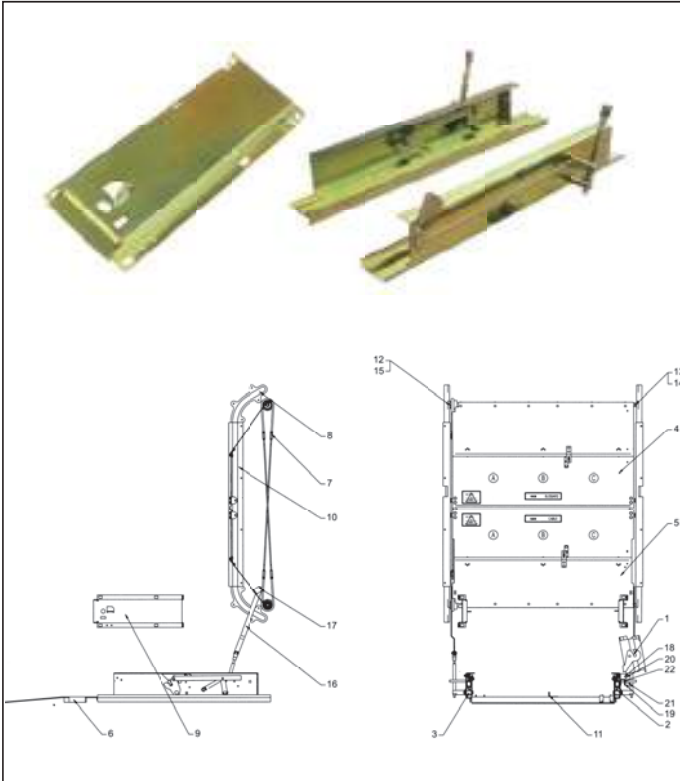
KYN61 Shutter mechanism (Linkage type)



KYN61 Shutter mechanism (Linkage type)

No.	Item	Code	Qty
1	Support plate	8YF091.069	8
2	Guide rod	8YF.091.016.1	4
3	Upper shutter plate	8YF.091.070	1
4	Upper shutter push rod welding	8YF091.015	2
5	Push rod fixed shaft	8YF.091.065	4
6	Down shutter	8YF091.070.1	1
7	Upper connecting rod welding	8YF.091.007	2
8	Down shutter push rod welding	8YF.091.014	2
9	Down connecting rod welding	8YF.091.006	2
10	Mounting plate assembly	8YF.091.002	2
11	Earthing interlock operating shaft		

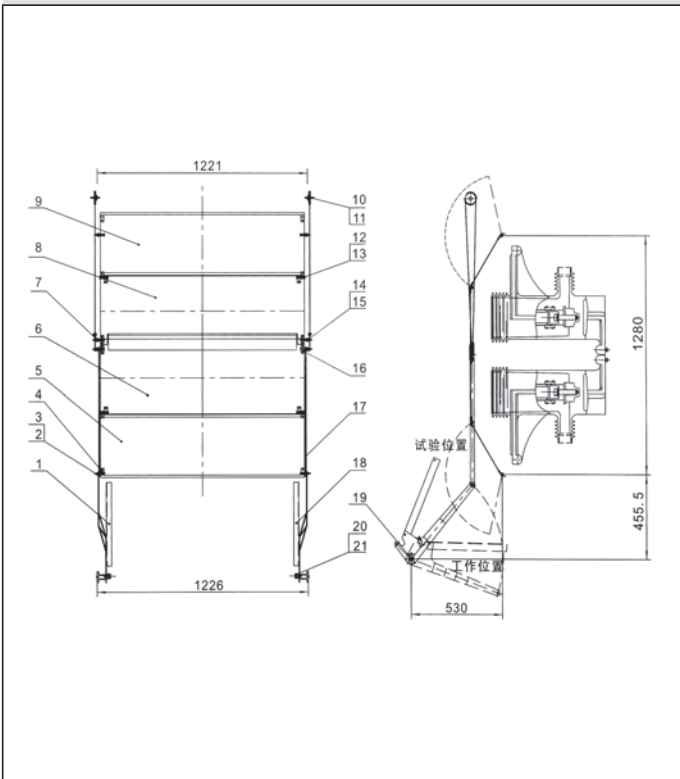
KYN61C Shutter mechanism



Technical Parameter

No.	Item	Code	Qty	Remark
1	VD4 Aviation socket	Cz58	1	
2	Guide rail assembly	YF-050-34202	1	
3	Guide rail assembly	YF-050-34202DC	1	
4	Upper shutter assembly	YF-050-3420210	1	
5	Down shutter assembly	YF-050-34211	1	
6	Guide rail welding	YF-050-34230	1	
7	Chain assembly	YF-050-34230	1	
8	Guide slot	YF-055-34102	4	Positive & Negative
9	Locking plate	YF-055-34103	2	
10	Guide slot	YF-055-34110	1	
11	Earthing busbar	YF-055-44153	1	Customer supplied
12	Shaft sleeve	YF-055-44179	2	
13	Copper sleeve	YF-055-44180	2	
14	Pin	YF-055-44181	2	
15	Pin	YF-055-44182	2	
16	Connecting rod	YF-055-44183	2	
17	Pin	YF-055-44184	2	
18	Lock plate	YF-055-44185	1	
19	Connecting rod	YF-055-44186	1	
20	Sleeve	YF-055-44187	1	
21	Sleeve	YF-055-44188	1	
22	Washer	YF-055-44189	2	

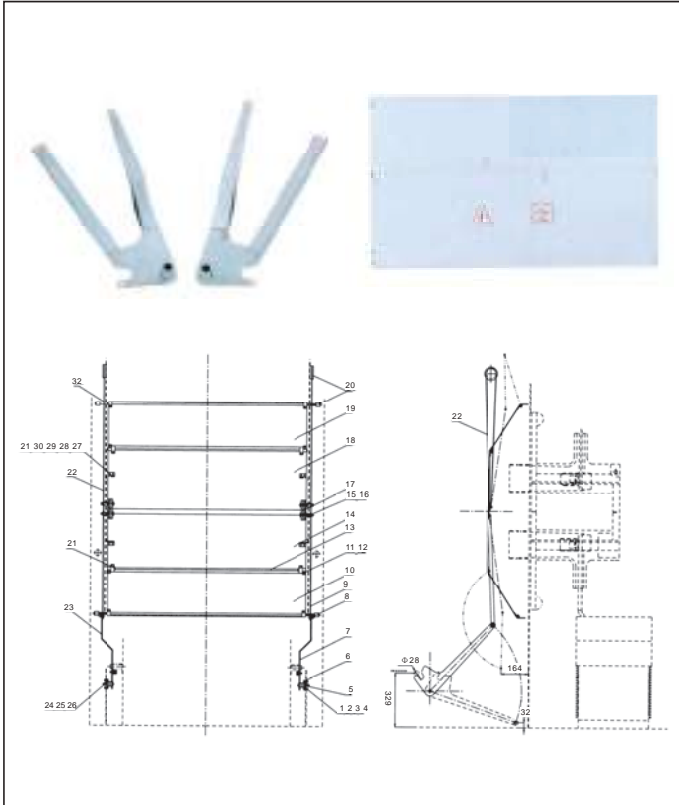
**KYN61 shutter mechanism device (Steel cable type)
KYN.5XJ.320.041**



Shutter mechanism device KYN.5XJ.320.041 matching table

No.	Item	Code	Qty
1	Big welding connecting rod (left)	KYN.6XJ.364.1523	1
2	Valve shaft	KYN.8XJ.200.1525	4
3	Sleeve	KYN.8XJ.210.1525	4
4	Hinge	KYN.8XJ.211.1521	12
5	Valve plate	KYN.8XJ.320.1524	1
6	Valve plate	KYN.8XJ.320.1522	1
7	Wire rope retainer plate	KYN.8XJ.050.1521	4
8	Valve plate	KYN.8XJ.320.1523	1
9	Valve plate	KYN.8XJ.320.1521	1
10	Pulley shaft	KYN.8XJ.200.1524	2
11	Pulley	KYN.8XJ.224.1522	2
12	Pulley shaft	KYN.8XJ.200.1531	4
13	Screw	KYN.8XJ.200.1532	4
14	Screw	KYN.8XJ.200.1526	4
15	roller	KYN.8XJ.224.1521	4
16	Hinge	KYN.8XJ.211.1522	4
17	Small connecting rod	KYN.8XJ.174.1523	2
18	Big welding connecting rod (right)	KYN.6XJ.364.1522	1
19	axle seat	KYN.8XJ.210.1521	2
20	Sleeve	KYN.8XJ.210.1523	2
21	Screw	KYN.8XJ.920.1522	2

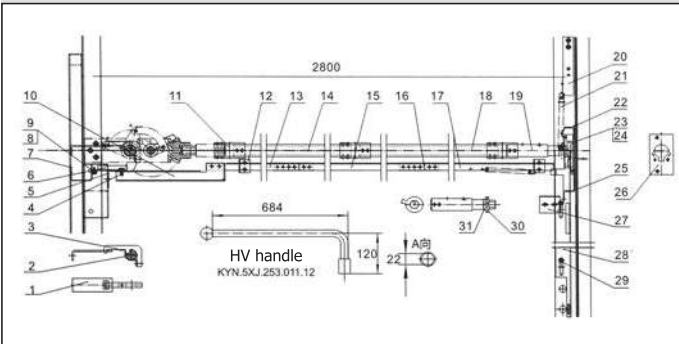
KYN61 Shutter mechanism(Stell cable type)



KYN61 Shutter mechanism(Stell cable type) matching table

No.	Item	Code	Qty	Remark
1	Bolt M8*26	GB5780-86	4	D.Zn
2	Nut M8	GB41-86	10	D.Zn
3	Washer φ 8	GB95-85	10	D.Zn
4	Spring	GB93-87	10	D.Zn
5	Washer φ 8	4XG.1P5-1K	2	
6	Shaft	4XG.1P5-2K	2	
7	Shaft seat	3XG.1P5.Q16K	2	
8	Big connecting rod assembly (Right)	4XG.1P5-3K	2	
9	Screw	4XG.1P5-14K	2	
10	Small connecting rod	4XG.1P5-4K	2	
11	Shutter plate 1	4XG.1P5-5K	4	D.Zn
12	Flap 1	GB871-86	20	
13	Rivet M8*10	4XG.1P5-6K	2	
14	Rod	3XG.1P5-7K	1	
15	Shutter plate 2	4XG.1P5-8K	2	
16	Roller	4XG.1P5-9K	2	
17	Screw	4XG.1P5-10K	4	
18	Flap 2	3XG.1P5-11K	1	D.Zn
19	Shutter plate 3	3XG.1P5-12K	1	Outsourcing
20	Shutter plate 4	3XG.1P5.Q18K	2	
21	Shutter shaft and pulley assembly	GB 894-86	4	D.Zn
22	Elasticity collar 10		2	D.Zn
23	Steel cable φ 1.6	3XG.1P5.Q19K	1	D.Zn
24	Big connecting rod assembly (Left)	GB41-86	2	
25	Nut M10	GB95-85	2	D.Zn
26	Washer φ 10	GB93-87	2	D.Zn
27	Spring washer φ 10 Lock plate	4XG.1P5-13K	4	D.Zn
28	Bolt M5*10	GB5780-86	8	D.Zn
29	Nut M5	GB41-86	8	D.Zn
30	Washer φ 5	GB95-85	8	
31	Spring washer φ 5	GB93-87	8	
32	Spring washer φ 5	GB67-85	8	

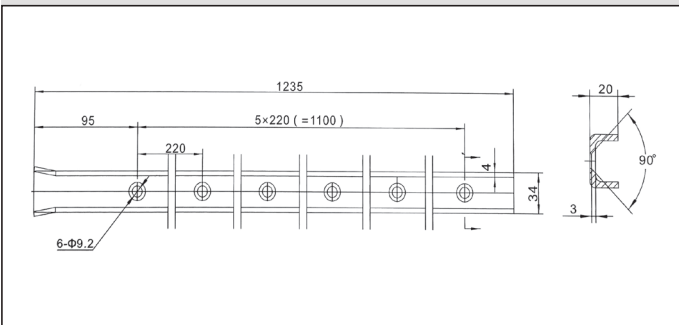
Earthing switch operation HV mechanism interlock device KYN.5XJ.363.021 outline drawing



Earthing switch operation mechanism interlock device KYN.5XJ.636.021 matching table

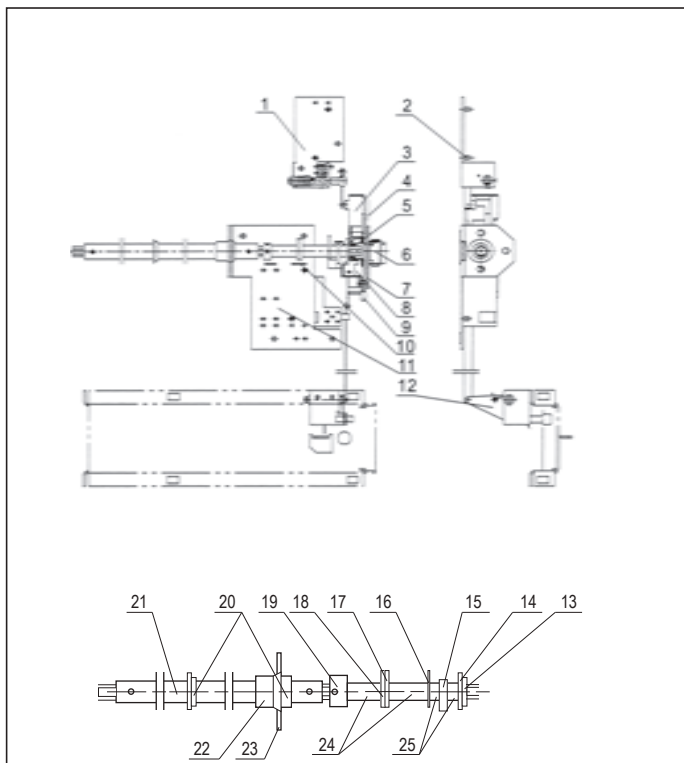
No.	Item	Code	Qty
1	Back door interlocking board	KYN.8XJ.264.1510	1
2	front door interlocking board	KYN.8XJ.264.1512	1
3	locking hooks	KYN.8XJ.264.1511	1
4	screw	KYN.8XJ.200.1533	1
5	Bracket	KYN.8XJ.038.1533	1
6	Interlocking board	KYN.8XJ.264.1508	1
7	Interlocking board	KYN.8XJ.264.1509	1
8	Screw	8XS.900.033	1
9	Washer	DPC.8XJ.210.314.2	1
10	Trough plate	KYN.8XJ.623.1512	1
11	The connecting shaft sleeve	KYN.8XJ.210.1527	1
12	screw	KYN.8XJ.038.1534	1
13	Bending plate	KYN.8XJ.623.1516	1
14	Earthing switch operating shaft	KYN.8XJ.200.1511	1
15	Bending plate	KYN.8XJ.623.1515	1
16	Connecting plate	KYN.8XJ.264.1507	2
17	Bending plate	KYN.8XJ.623.1514	1
18	Earthing switch operating shaft	KYN.8XJ.200.1512	1
19	Earthing switch operating shaft	KYN.8XJ.200.1513	1
20	Suspension spring bracket	KYN.8XJ.038.1536	1
21	tension spring	8XS.282.016	3
22	Slider	KYN.8XJ.143.1529	2
23	Seat	KYN.8XJ.200.1529	1
24	Plate	KYN.8XJ.143.1530	1
25	Bending plate	KYN.8XVJ.628.1525	1
26	Earthing switch split-merging plate	KYN.8XJ.200.1530	1
27	Locking electromagnet bracket	KYN.8XJ.038.1549	1
28	Linkage rod	KYN.8XJ.200.1514	1
29	Nut	KYN.8XJ.940.1500	2
30	Sector Plate	KYN.8XJ.192.1510	2
31	Washer	KYN.8XJ.950.1522	1

KYN.8XJ.201.1502 outline drawing



Earthing switch operation mechanism interlock device KYN.5XJ.362.011

Earthing switch operation mechanism interlock device KYN.5XJ.362.011 matching table



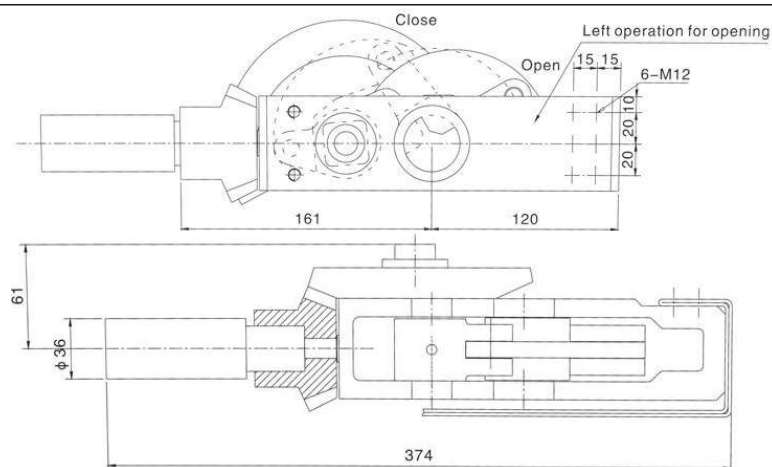
No.	Item	Code	Qty
1	earthing travel distance assembling	KYN.5XJ.362.013	1
2	Seat	KYN.8XJ.211.101	4
3	Bending plate	8XS.161.059	1
4	Label	KYN.8XJ.867.029	1
5	cover plate	8XS.017.011.2	1
6	Lock plate assembling	KYN.5XvJ.141.001	1
7	Plate	KYN.8XJ.150.078	1
8	Support	5XS.043.022	1
9	Slinder	8XS.143.010	
10	Tooth insert plate	8XS.151.044	1
11	Bending plate	KYN.8XJ.161.076	1
12	earthing and hand cart interlocking device	KYN.5XJ.362.012	1
13	Bearing	8XS.263.011	1
14	spacing board	8XS.151.084	1
15	Sector plate	KYN.8XJ.192.012	1
16	Sector plate	KYN.8XJ.192.013	1
17	Sector plate	8XS.151.043	1
18	Sector plate	8XS.151.042	1
19	spacing board	8XS.210.322	2
20	axle sleeve	KYN.8XJ.211.099	2
21	Operating shaft	KYN.5XJ.200.087	1
22	Seat	KYN.8XJ.211.122	1
23	Climax	KYN.8XJ.128.051	1
24	Seat	8XS.210.014.10/HL	2
25	Seat	8XS.210.014.9/HL	2



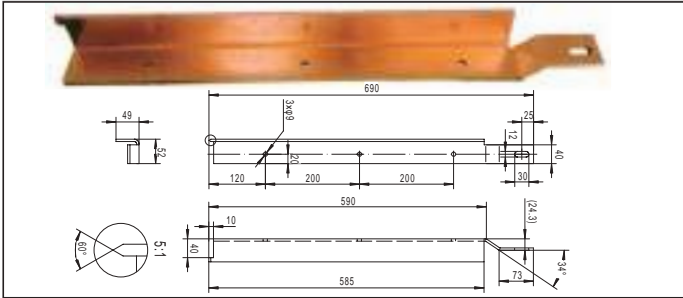
CL-40.5 type bevel gear mechanism is used for manual control operation with JN22-40.5/31.5 indoor HV earthing switch. It comply with KYND-40.5 switchgear cabinet and other various types switchgear.

Operating shaft's rotation angle is 270° :90° (open-close)

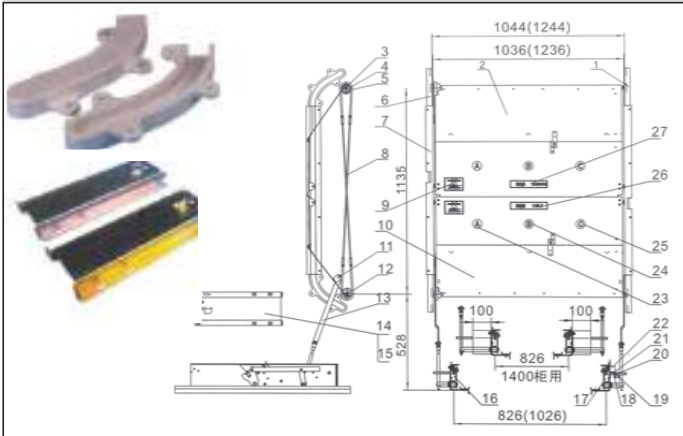
The operation mechanism as the drawing shows is right operation, the closing centerline is the rotation line of operation mechanism. If need left operation, please ask the factory to change the direction, and user can install the bevel gear symmetrically on the left side according to the drawing above.



KYN.8XJ.588.006 Earthing busbar



Rail shutter mechanism device KYN.5XJ.320.031(The width of switchgear is 1200mm) installation drawing



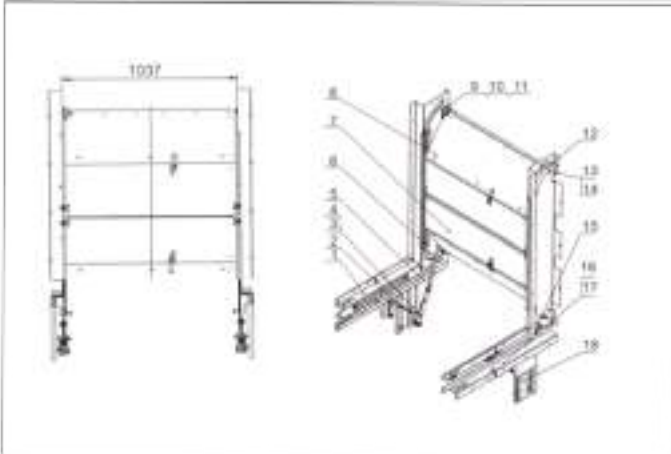
Rail shutter operation device KYN.5XJ.320.031 matching table

No.	Item	Code	Qty
1	Guide	KYN.8XJ.357.001	1
2	Upper Valve assembling	KYN.5XJ.320.275.18	1
3	Axle sleeve	KYN.8XJ.211.095	1
4	Copper sleeve	KYN.8XJ.211.096	1
5	Pin	KYN.8XJ.993.080	1
6	Guide	KYN.8XJ.357.002	1
7	Guide	KYN.8XJ.357.003	1
8	Chain assembly	KYN.5XvJ.294.001	1
9	Label	KYN.8XJ.867.028	1
10	lower Valve assembling	KYN.5XJ.320.275.19	1
11	Pin	KYN.8XJ.993.082	1
12	Pin	KYN.8XJ.993.081	1
13	Connecting rod	KYN.8XvJ.174.041	1
14	Strongback	KYN.8XJ.271.046	1
15	Strongback	KYN.8XJ.271.049	1
16	The left guide assembling	KYN.5XJ.260.014	2
17	The right guide assembling	KYN.5XJ.260.015	1
18	Screw nut	KYN.8XJ.950.044	1
19	Tube	KYN.8XvJ.211.098	1
20	Connecting rod	KYN.8XJ.174.036	1
21	Tube	KYN.8XJ.211.097	3
22	Lock plate	KYN.8XJ.141.047	2
23	Label	KYN.8XJ.867.025	1
24	Label	KYN.8XJ.867.026	1
25	Label	KYN.8XJ.867.027	1
26	Label	KYN.8XJ.867.023	1
27	Label	KYN.8XJ.867.024	1

Rail interlock KYN.5XJ.363.019



Rail shutter mechanism device KYN.5XJ.320.030(Match with 1200 width switchgear) outline drawing



Middle type rail shutter mechanism device KYN.5XJ.320.036 matching table

No.	Item	Code	Qty
1	Left guide rail assembling	KYN.5XJ.260.026	1
2	Left crank arm assembling	KYN.5XJ.174.107	2
3	Connecting rod welding	KYN.5XJ.238.025	1
4	Under valve assembling	KYN.8XJ.288.059	2
5	Chain assembling	KYN.5XJ.174.109	2
6	Guide	KYN.8XJ.357.1003.2	2
7	Under valve assembling	KYN.5XJ.320.040	1
8	Up valve assembling	KYN.5XJ.320.039	1
9	Chain assembling	KYN.5XJ.294.001	1

No.	Item	Code	Qty
1	axle sleeve	KYN.8XJ.211.095	2
2	Pin	KYN.8XJ.993.081	2
3	Guide	KYN.8XJ.357.001	2
4	Pin	KYN.8XJ.211.096	2
5	Copper sleeve	KYN.8XJ.993.080	2
6	Guide	KYN.8XJ.357.002	2
7	Right guide rail assembling	KYN.5XJ.260.027	1
8	Guide rail pad	KYN.8XJ.193.015	2
9	Rirht crank arm assembling	KYN.5XJ.238.026	1

FEED MECHANISM

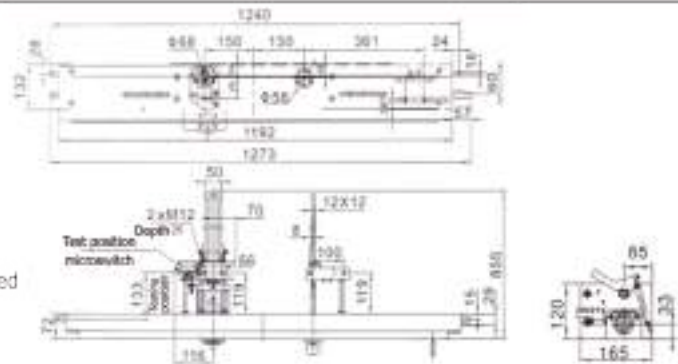
TJ-1-1400 feed mechanism(with ZN85)

Model and meaning:

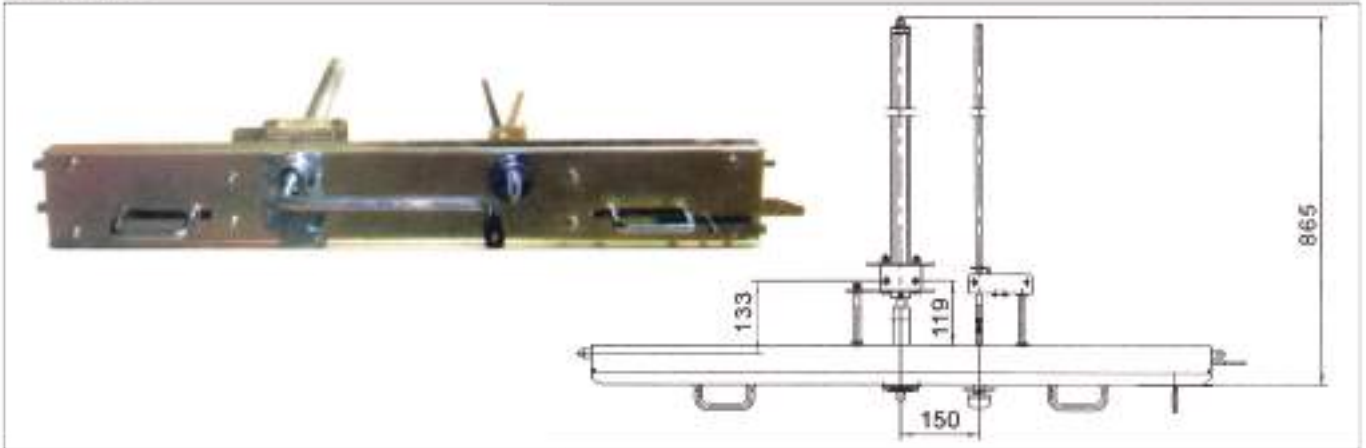


Application:

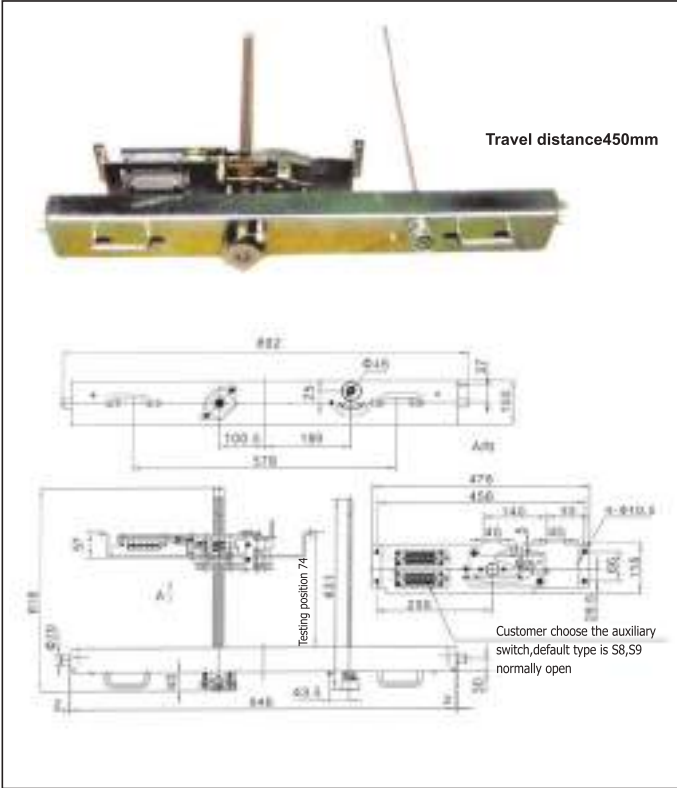
The feed mechanism is KYN61-40.5 switch cabinet fittings, used to promote ZN85, circuit breaker series and all kinds of handcart, etc all removed parts.



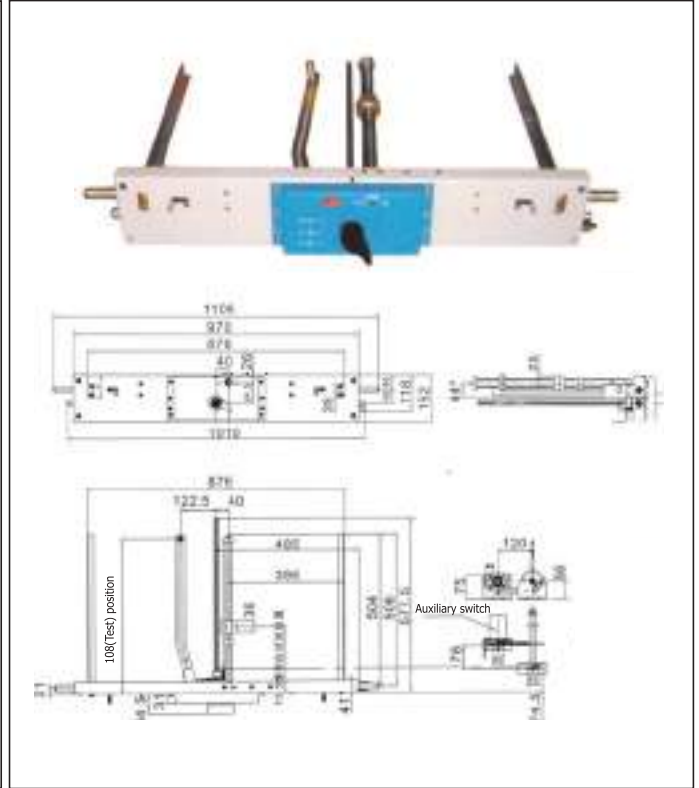
TJ-1A-1400/G



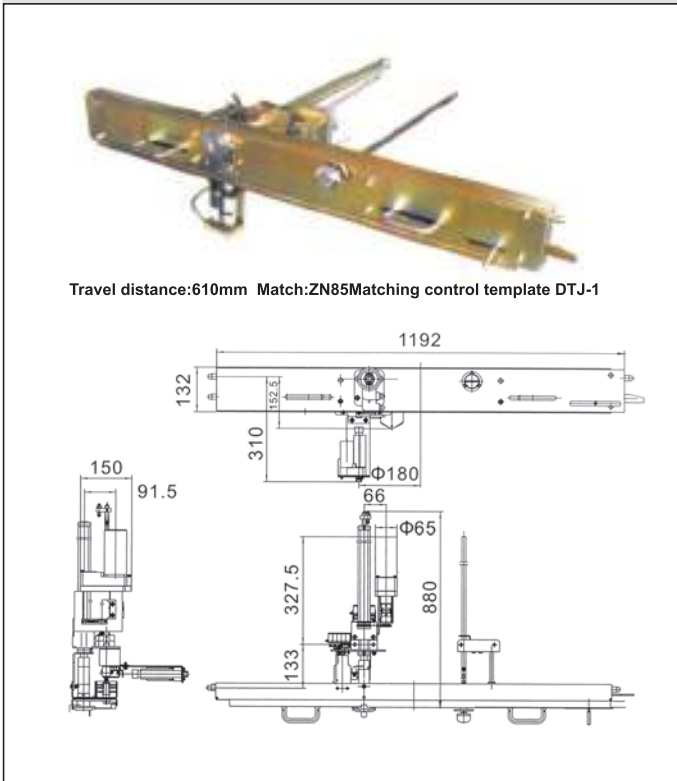
TJ-3- □ type feed mechanism (match with VD4-40.5 type operation trolley)



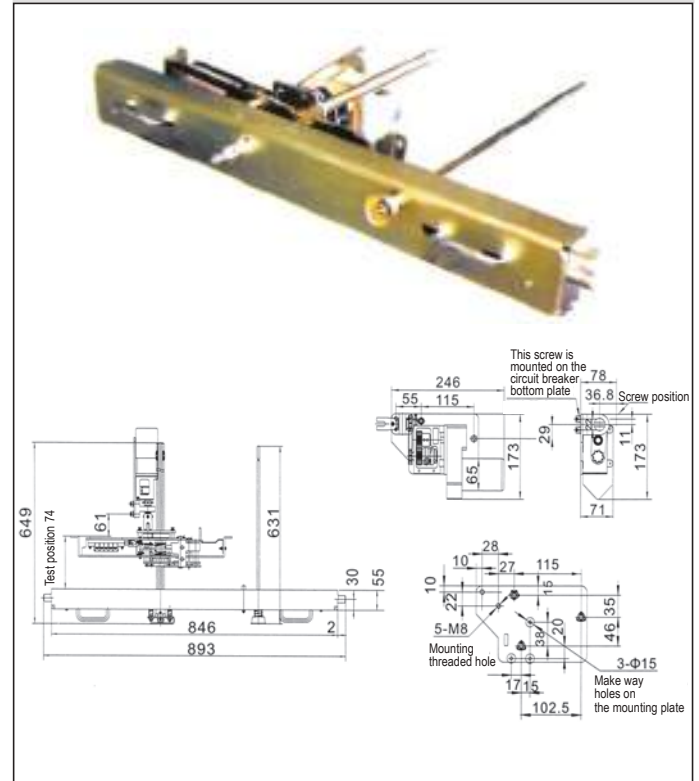
TJ-4- □ type feed mechanism (match with ZN85B)



TJ-1D-1400 Motorized feed mechanism outline and Installation dimension (match with 3A mechanism)



TJ-3D-1200 Motorized feed mechanism outline and Installation dimension



GJL1- □ HV switchgear door hinge part number and size

No.	Code	A	B	C	D	2-MB
GJL1-1	5XS.872.011	55	23	8	18	Pin through hole
GJL1-2	5XS.872.011.1	56	26	12	22	
GJL1-3	5XS.872.012	55	23	8	18	Blind hole
GJL1-4	5XS.872.012.1	56	26	12	22	

GJL2-1 switchgear door hinge part number and size

GJL3-1 switchgear door hinge part number and size

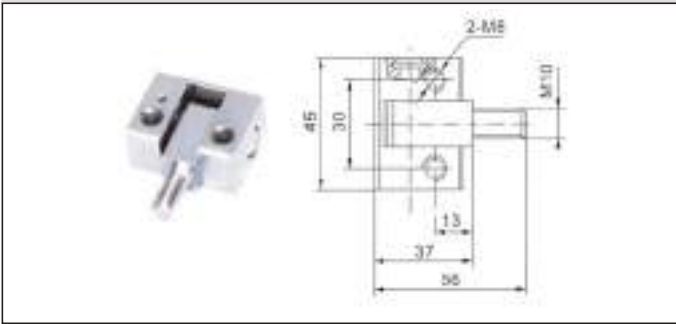
GJL4-1 switchgear door hinge part number and size

GJL5-1 switchgear door hinge part number and size

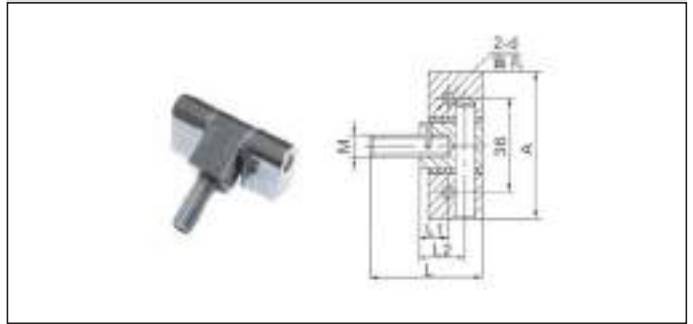
GJL6-1 switchgear door hinge part number and size

GJL7-1 switchgear door hinge part number and size

GJL8-1HV switchgear door hinge part number and size



GJL9 HV switchgear door hinge part number and size



GMS1 HV switchgear door lock part number and size

GMS1-25 High voltage cabinet door lock

No.	D1	D2	d	L1	L2
GMS1-1	24	φ20	M8	31	22.5
GMS1-2	30	φ22	M10	35	20.5
GMS1-3	24	φ20	M8	31	34.5
GMS1-4	30	φ22	M8	35	20.5
GMS1-5	30	φ22	M10	35	29
GMS1-6	30	φ22	M10	40	20.5
GMS1-7	30	φ22	M8	27	23
GMS1-8	30	φ22	M10	45	20.5
GMS1-9	30	φ22	M8	33	23
GMS1-10	30	φ22	M10	31	24.5

GJL14-1 hinge

Operate trolley accessories ZYC.3XJ.087.004 (Contain all accessories above)

cover 8XS.211.065

cover 8XS.211.064

Guide rod 8XS.227.010

pin 8WXJ.993.850

connecting rod 5XS.234.015

drag spring 8XS.288.016

pin 8XS.993.054

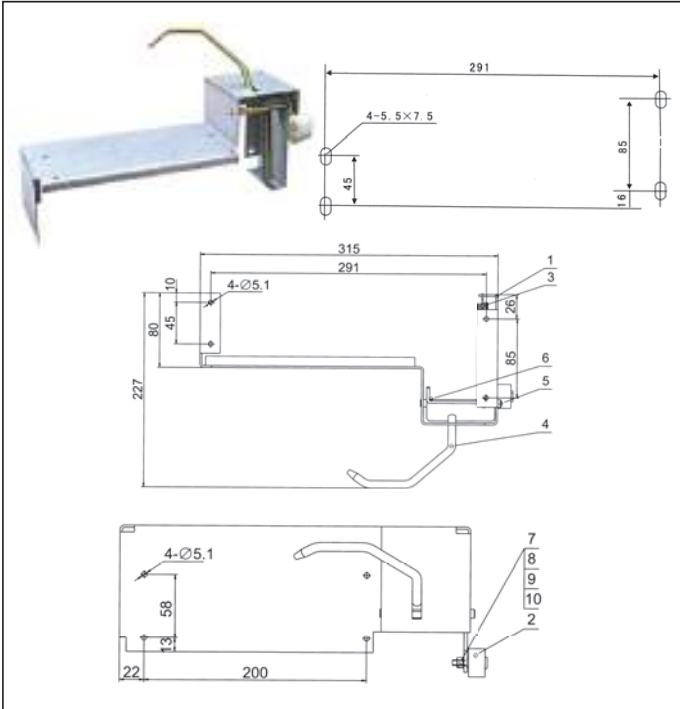
plate 8XS.223.010

column 8XS.132.010

screw 8XS.223.031

Model	code	L
screw	8XS.233.031	110
screw	8XS.233.031.1	160
screw	8XS.233.031.2	200
screw	8XS.233.031.3	260
screw	8XS.233.031.5	310

Secondary socket interlock mechanism 5XS.573.010

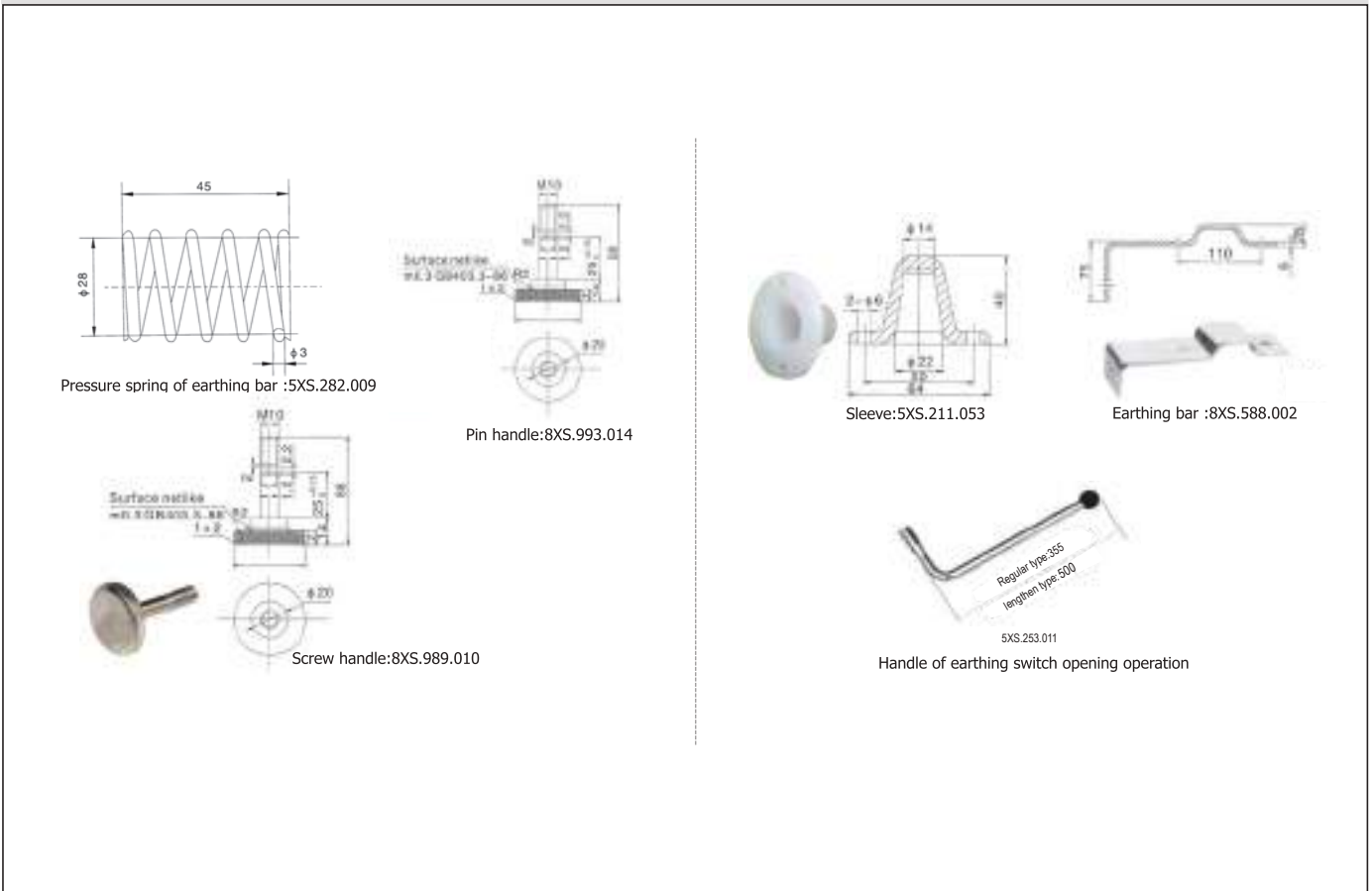


Secondary socket interlock mechanism 5XS.573.010


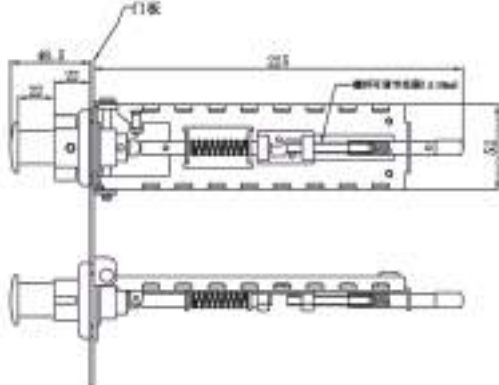
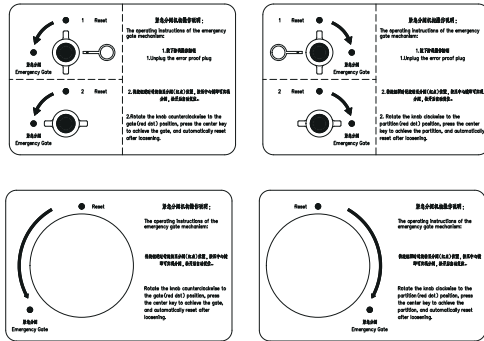
No.	Item	Code	Qty
1	Support	8XS.043.017.1 ~4	1
2	Roller	8XS.224.021	1
3	Tension spring	8XS.288.015	1
4	Interlock rod welding	5XS.174.017	1
5	Shaft	8XS.200.020	1
6	Split baffle ring $\phi 6$	GBB96-858	2
7	Screw	8XS.900.010	1
8	Nut M5	GB6170-86	1
9	Washer $\phi 5$	GB93-87	1
10	Washer $\phi 5$	GB97.1-85	1

Item	Code	H	Remark
Support	8XS.043.017.1	136	Suitable for $\leq 1250A$ VD4 circuit breaker
	8XS.043.017.2	116	Suitable for VS1 circuit breaker
	8XS.043.017.3	126	Suitable for 1600A-2500A VD4 circuit breaker
	8XS.043.017.4	80	Suitable for 3150A VD4 circuit breaker

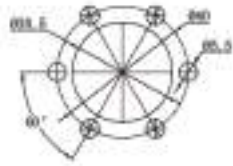
Mid partition assembly and others



KYN.5XJ.259.002 Emergency opening device

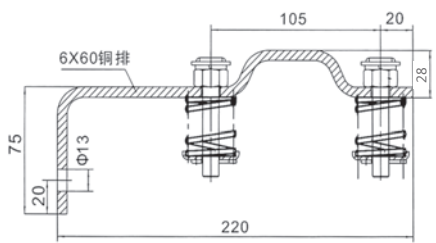
Hole Size



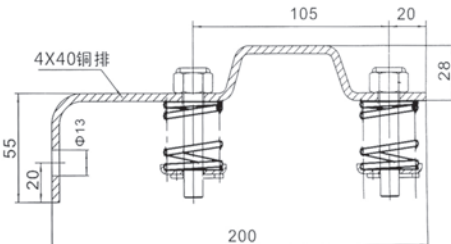
The assembly instructions are as follows:

- Step 1:** Turn the emergency opening device clockwise to the specified position. (Note: The diagram shows the device in the 'closed' position.)
- Step 2:** Rotate the lock counter-clockwise to the specified position, press the center key to release the gate, and automatically reset after assembly.

Earthing busbar assembly



5xS.588.002 Earthing busbar assembly

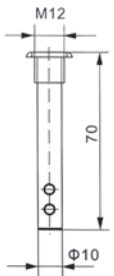


KYN.5XJ.588.013 Economical type

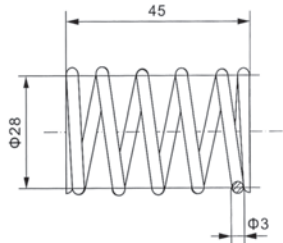
Technical specifications for the busbar assemblies:

- 5xS.588.002: 6X60铜排 (6x60mm copper bar), dimensions 105x20x28, hole diameter $\Phi 13$, total length 220.
- KYN.5XJ.588.013: 4X40铜排 (4x40mm copper bar), dimensions 105x20x28, hole diameter $\Phi 13$, total length 200.

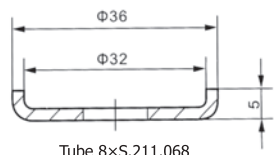
Earthing busbar assembly



Pin 8xS.993.014



Earthing pressure spring 8xS.282.009

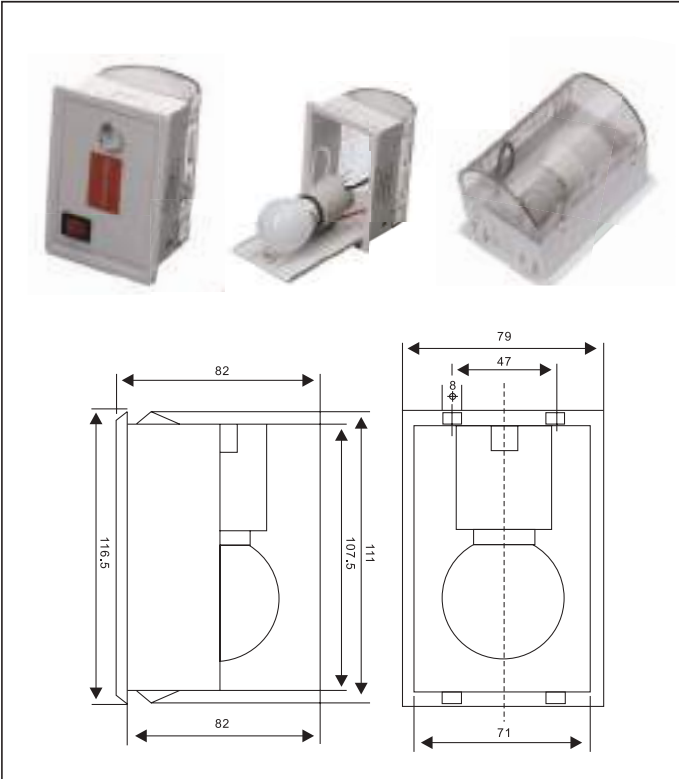


Tube 8xS.211.068

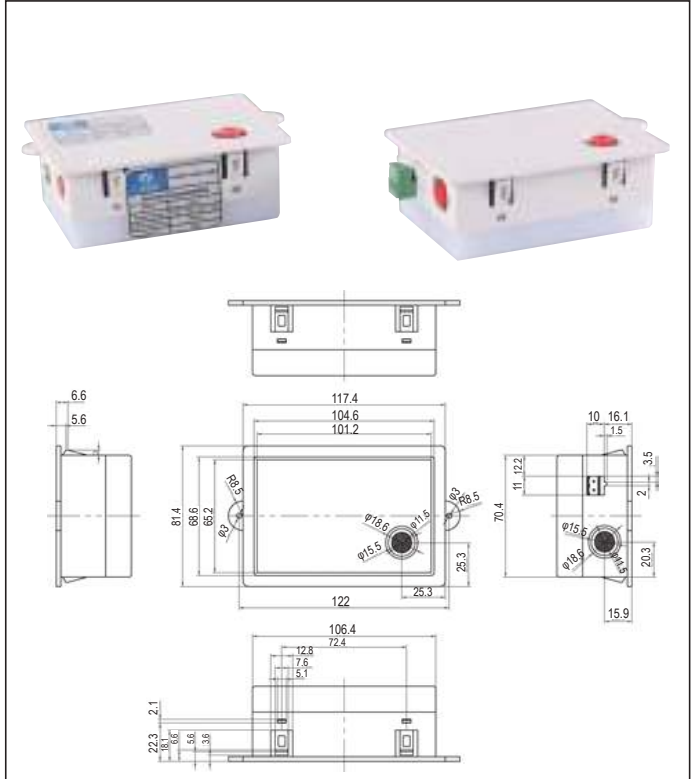
Technical specifications for the earthing components:

- Pin 8xS.993.014: M12 thread, length 70, hole diameter $\Phi 10$.
- Earthing pressure spring 8xS.282.009: length 45, wire diameter $\Phi 3$, coil diameter $\Phi 28$.
- Tube 8xS.211.068: outer diameter $\Phi 36$, inner diameter $\Phi 32$, length 20, wall thickness 5.

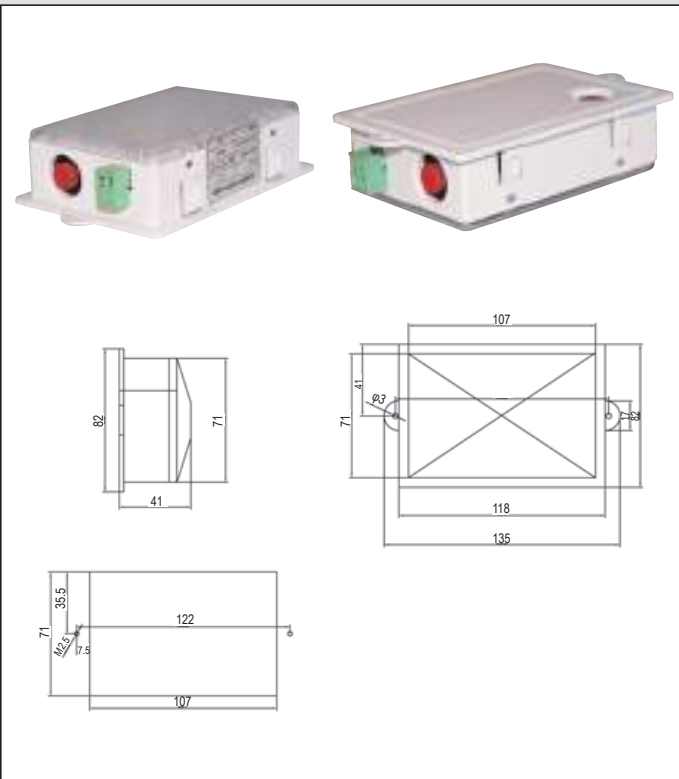
Model No.:CM-1 Name:Cabinet lighting lamp



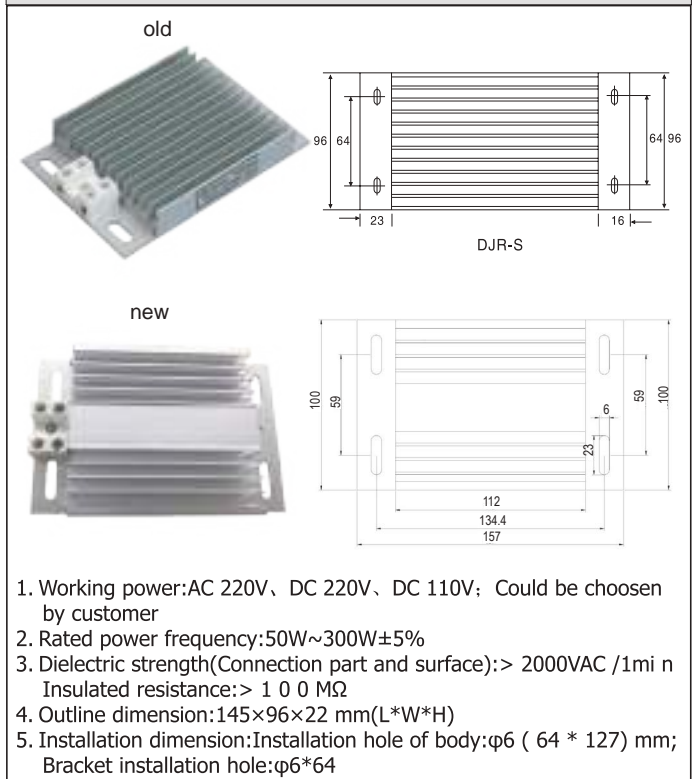
Model No.:CM-2 Name:Cabinet lighting lamp



Model No.:CM-3 Name:Cabinet lighting lamp



Model No.:DJR-S Name:Aluminum alloy heater



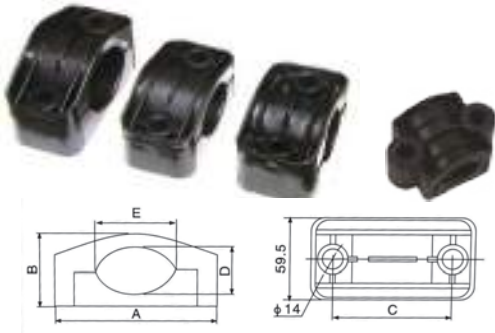
Rubber retainer



Used in the top or bottom of cabinet for the cables pass in and out, also can protect cables well.

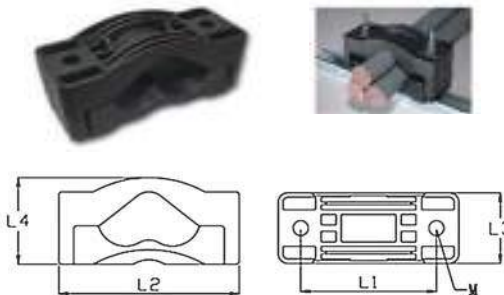
8LS766 003P3	Flat rubber retainer (Φ53 x 13)
8LS766 022	Rubber retainer (Φ62)
8LS766 055.1	Rubber retainer (Φ80, tower type)
8LS 766 004	Rubber retainer (Φ90)
8LS766 005	Rubber retainer (Φ110, tower type)

Model No.:LG1Y Name:Cable clamp



Type	A	B	C	D	E	Remarks
(13-25)mm ²	87	35	60	13	25	Small
(20-36)mm ²	90	43	60.5	22	34	Medium
(36-52)mm ²	108	49.5	75	32.7	48	Big
(55-75)mm ²	114.5	52.6	83.5	36	57	Bigger

Model No.:LG3Y Name:Cable clamp

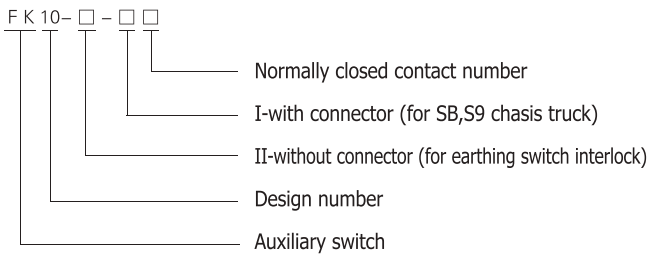


Type	Applicable outside diameter of cableΦ	L1	L2	L3	L4	M	mechanical strength
SY27-38	27-38	125	180	75	75	15.5	30000Nm
SY38-51	38-51	145	195	80	100	15.5	20000Nm
SY51-69	51-69	170	220	85	130	15.5	20000Nm
SY69-90	69-90	215	252	90	163	15.5	68800Nm

FK10 AUXILIARY SWITCH SERIES



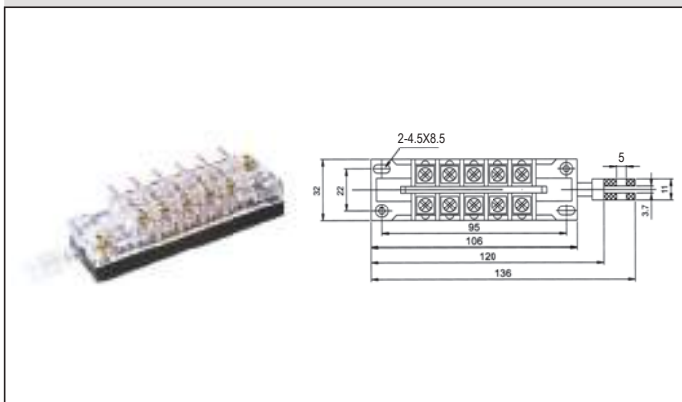
Model and meaning:



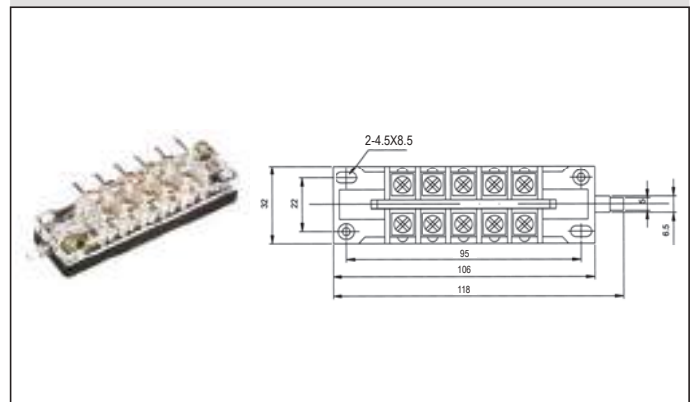
Specifications :

1. Rated voltage: AC 660V
2. Rated frequency: 50Hz
3. Rated current: 15A

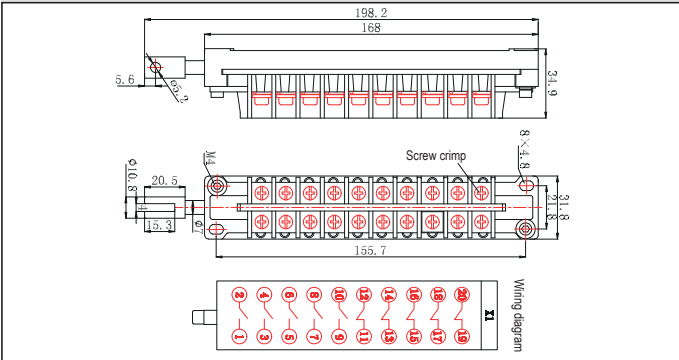
FK10-I- □ □ Auxiliary switch



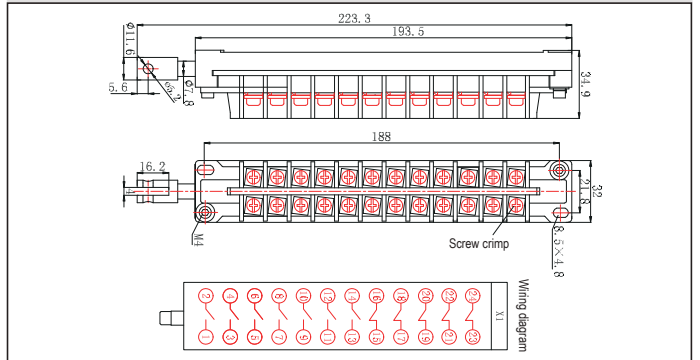
FK10-II- □ □ Auxiliary switch



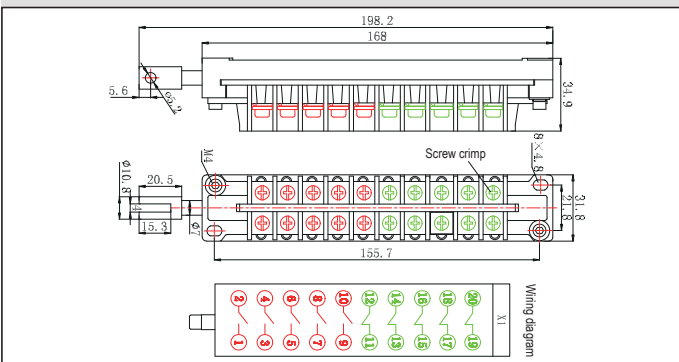
Model No.: FK10-I-10K



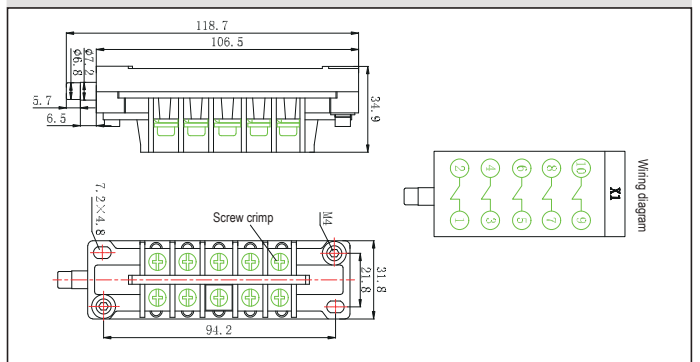
Model No.: FK10-I-12K



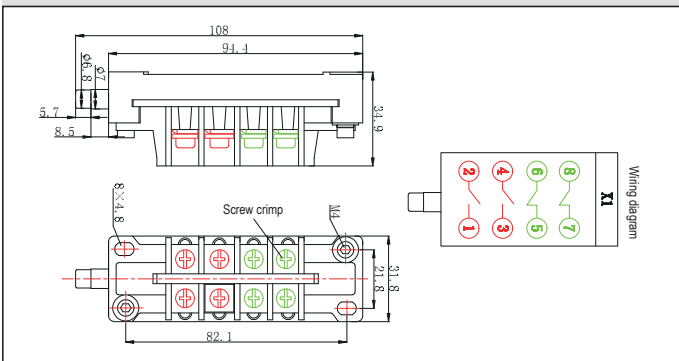
Model No.: FK10-I-55



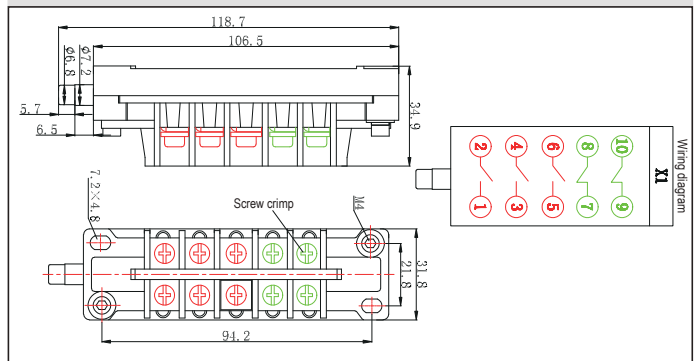
Model No.: FK10-II-05



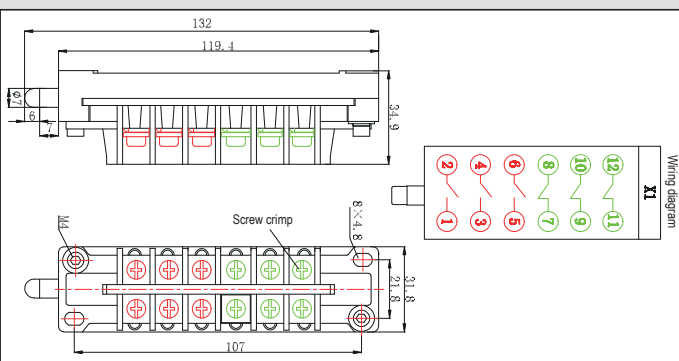
Model No.: FK10-II-22



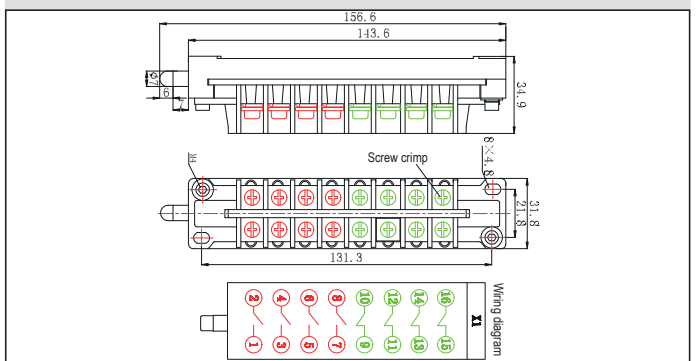
Model No.: FK10-II-32



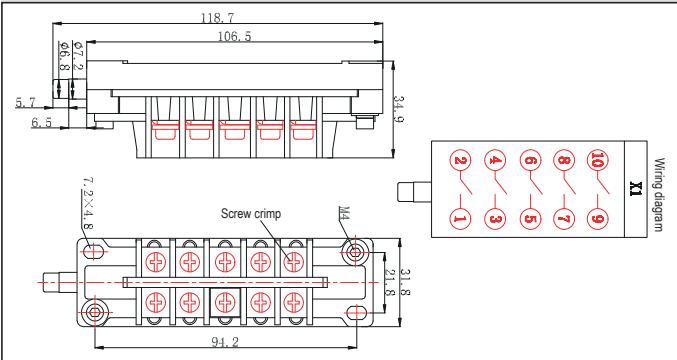
Model No.: FK10-II-33



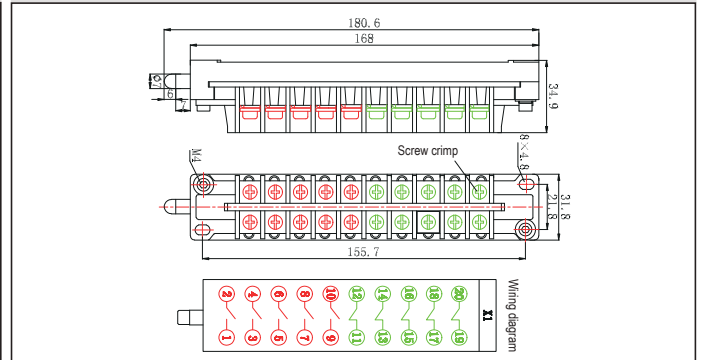
Model No.: FK10-II-44



Model No.: FK10-II-50



Model No.: FK10-II-55



LATCHING ELECTROMAGNET SERIES

Model No.:LYD101 Name:Latching electromagnet



Model No.:LYD102 Name:Latching electromagnet



DXN8D LIVE DISPLAY DEVICE(VPIS) SERIES/VOLTAGE INDICATOR/ CHARGED DISPLAY DEVICE

Summary:

This product is used to provide a switchgear equipment circuit voltage information at the installation status to the operator. As a result of its internal circuitry of low-power light-emitting element, which makes low power consumption, more stable performance and higher reliability. For the user test double-loop phase conveniently, indicator (recommend type) panel setting the end of the test phase, meanwhile the frame of indicator (recommend type) shell adopts front end removable. And the user can change the indicator without opening the indicator shell.

Widely used for indoor 7.2,12,24,40.5kV, frequency of 50Hz high-voltage electrical equipment, and supporting the use of the voltage sensor, it can reflect the high voltage live situation, and voltage sensor support, but also to improve the anti-error performance ancillary products.

Warning: relying solely on live shows a display device not sufficient to prove that the system is not energized state, in case of doubt or prejudice to the provisions of the procedure, should also use electric electroscope test compliance with the requirements of the DL740.

Executive standard:

GB25081-2010 《HV live display device (VPIS)》
DL/T539-93 《condensation and pollution test condition for Indoor AC HV switchgear and components》
IEC61958:2000 《HV prefabricated switchgear assembly and control assembly-live displaying device》

Application environment conditions:

Environment temperature: upper limit value not more than + 40 °C ,lower limit value not lower than - 25 ,special area not lower than - 35°C
Sea level: no more than 1000m
Atmospheric conditions: RH daily average value not more than 95%, month average value not more than 90%; steam pressure daily average value not more than 2.2kPa, month average value not more than 1.8kPa.
Environment condition: no obvious filth, No flammable, no explosive chemical etching and Salt fog place.

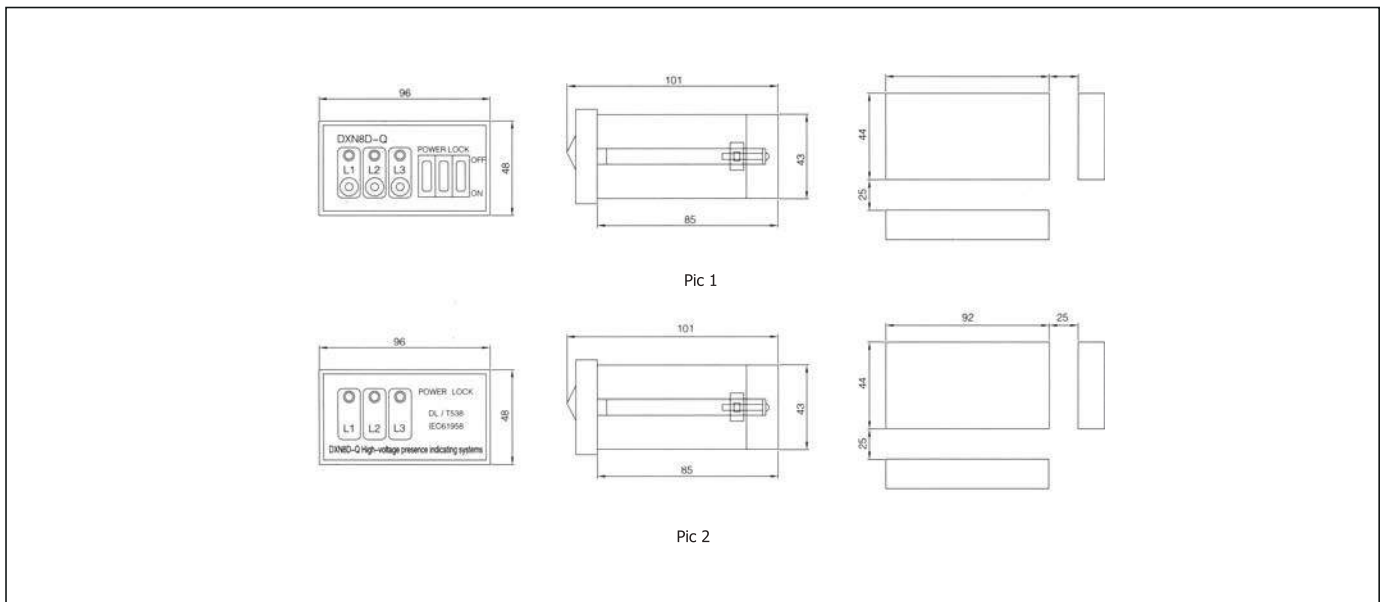
parameters table: matching capacitance of voltage indicator (table 1)

The rated line voltage level (Kv)	rated phase voltage				
	Working voltage (V)	Working current (μ A)	voltage between phases when the phases match between test points (V)	voltage between phases when the phases not matched between test points (V)	Adaptation capacity sensor (pF)
3.6	80~100	117	< AC30	> AC60	180(± 15)
7.2	80~100	196			150(± 15)
12	80~100	250			115(± 15)
	80~100	32~65			15~30
24	80~100	348			80(± 10)
40.5	80~100	330			45(± 10)

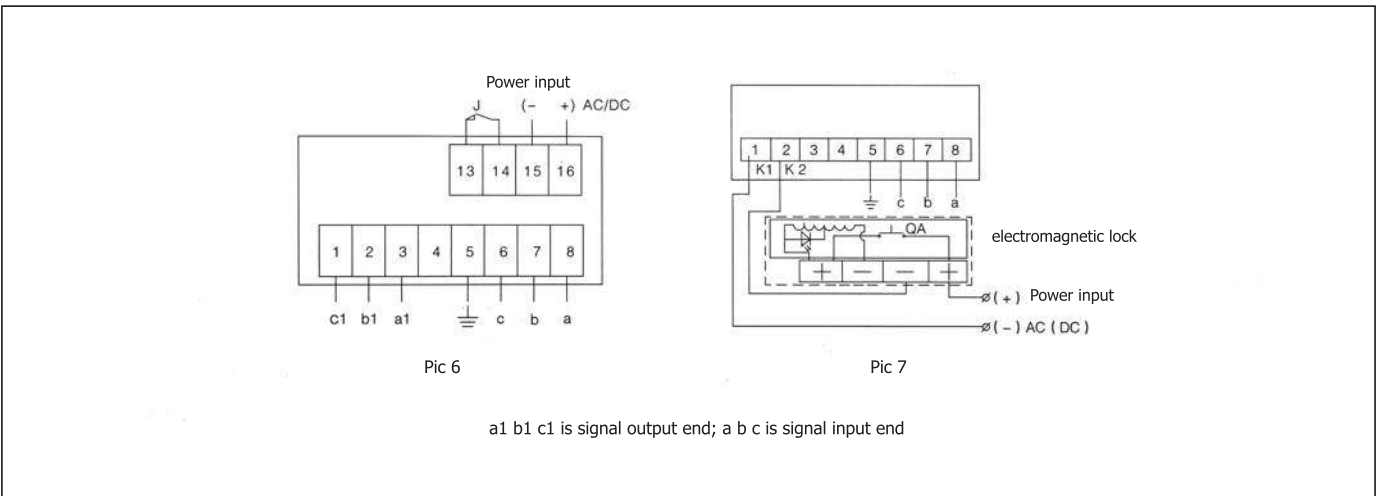
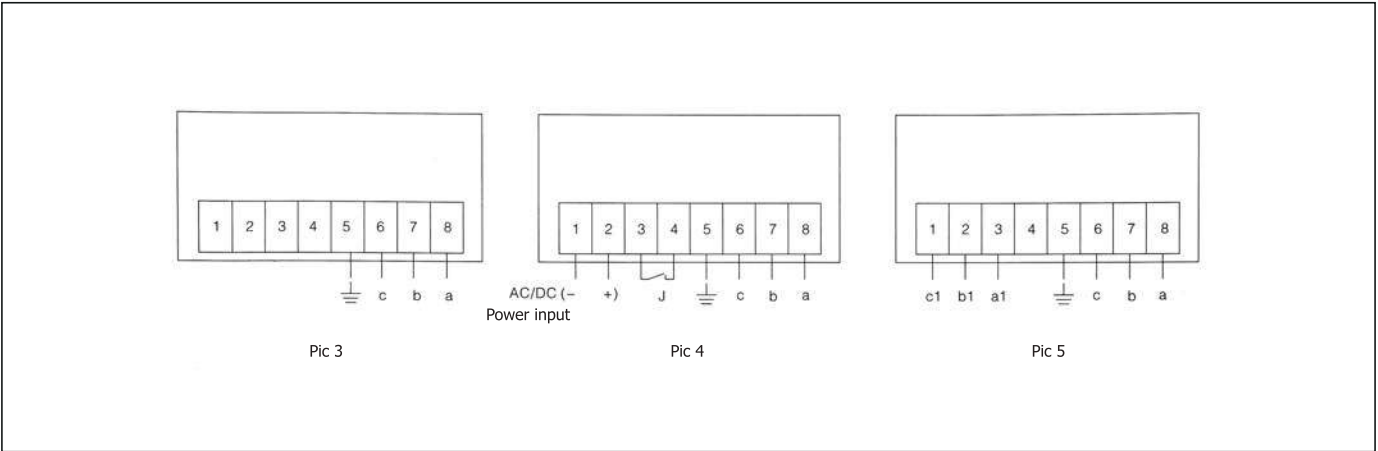
HOLE SIZE: 92*44MM SERIES



Outline of installation hole dimensions



Back view wiring diagram



Voltage indicator selection table

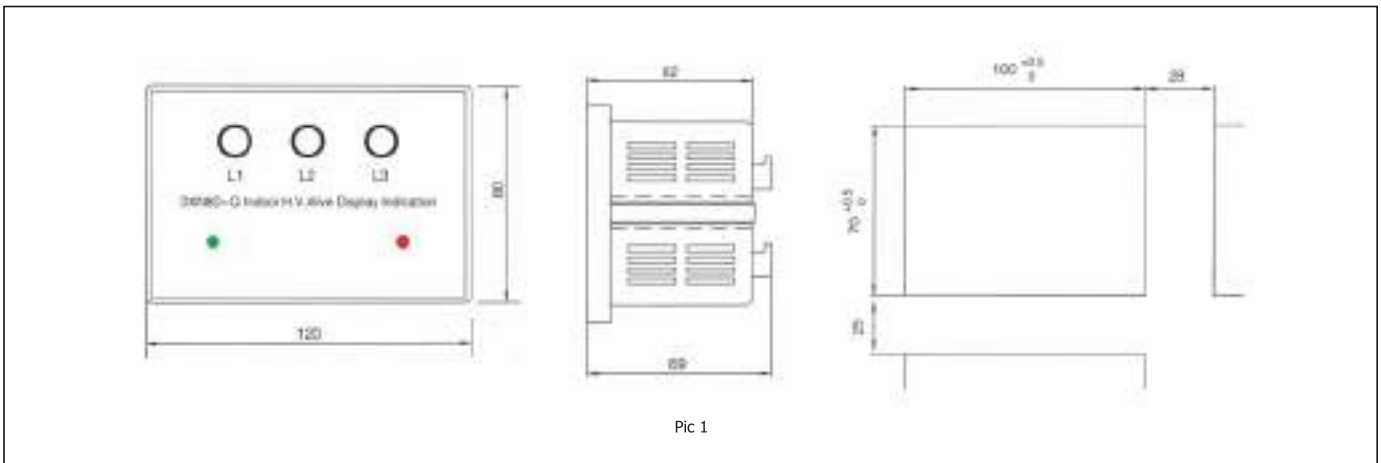
Ordering number	Model type	Light-emitting element	Form of light	Lockout working power supply (V)	Outline installation hole dimensions (mm*mm)	Back view wiring diagram	Adaptive voltage capacity	"one to two" scheme	Remarks
X-1	DXN8D-7.2~40.5/T1	Super bright light-emitting diode	Normally on	/	92*44 Pic 1	Pic 3	See Table 1 on page 120	/	Recommendation type: detachable panel structure, the whole movement could be detached from the front side, which makes on-site maintenance convenient.
X-2	DXN8D-7.2~40.5/Q1			AC220		Pic 4			
X-3	DXN8D-7.2~40.5/Q2			DC110		Pic 7			
X-4	DXN8D-7.2~40.5/Q3			DC220		Pic 3			
X-5	DXN8D-7.2~40.5/Q4			AC220 DC220 DC110		Pic 4			
X-6	DXN8D-7.2~40.5/T1-2			/		Pic 3			
X-7	DXN8D-7.2~40.5/Q1-2			AC220		Pic 4			
X-8	DXN8D-7.2~40.5/Q2-2			DC110		Pic 7			
X-9	DXN8D-7.2~40.5/Q3-2			DC220		Pic 3			
X-10	DXN8D-7.2~40.5/Q4-2			AC220 DC220 DC110		Pic 6			
x-11	DXN8D-7.2~40.5/T1-2C	/	Flashing	/	92*44 Pic 2	Pic 5	15~30 pF	/	"one to two" scheme means that one set of sensors equipped with two voltage indicators.
x-12	DXN8D-7.2~40.5/Q1-2C	AC220		Pic 3					
x-13	DXN8D-7.2~40.5/Q2-2C	DC110		Pic 4					
X-14	DXN8D-7.2~40.5/Q3-2C	DC220		Pic 7					
X-16	DXN8D-12/T1S	/		Pic 3					
X-17	DXN8D-12/Q1S	AC220		Pic 4					
x-18	DXN8D-12/Q2S	DC110		Pic 7					
x-19	DXN8D-12/Q3S	DC220		Pic 3					
X-20	DXN8D-12/Q4S	AC220 DC 220 DC110		Pic 4					

HOLE SIZE: 100*70MM SERIES



Back view wiring diagram

Outline of installation hole dimensions

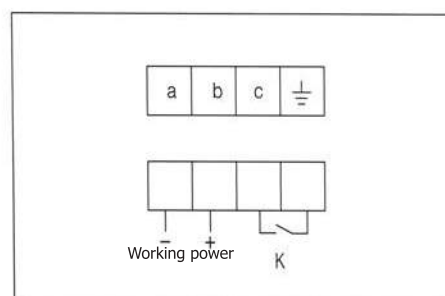


Pic 1

Voltage indicator selection table

Ordering number	Model type	Light-emitting element	Form of light	Lockout working power supply (V)	Outline installation hole dimensions (mm*mm)	Back view wiring diagram	Adaptive voltage capacity	Remarks
X-21	DXN8D-7.2~40.5/T3	Super bright light-emitting diode	Normally on	/	100*70 Pic 1	Pic 2	See Table 1 on page 120	It could add phase holes as per customer's request.
X-22	DXN8D-7.2~40.5/Q5			AC220		Pic 3		
X-23	DXN8D - 7.2~40.5/Q6			DC110		Pic 4		
X-24	DXN8D-7.2~40.5/Q7			DC220				
X-25	DXN8D-7.2~40.5/Q8			AC220 DC220 DC110				

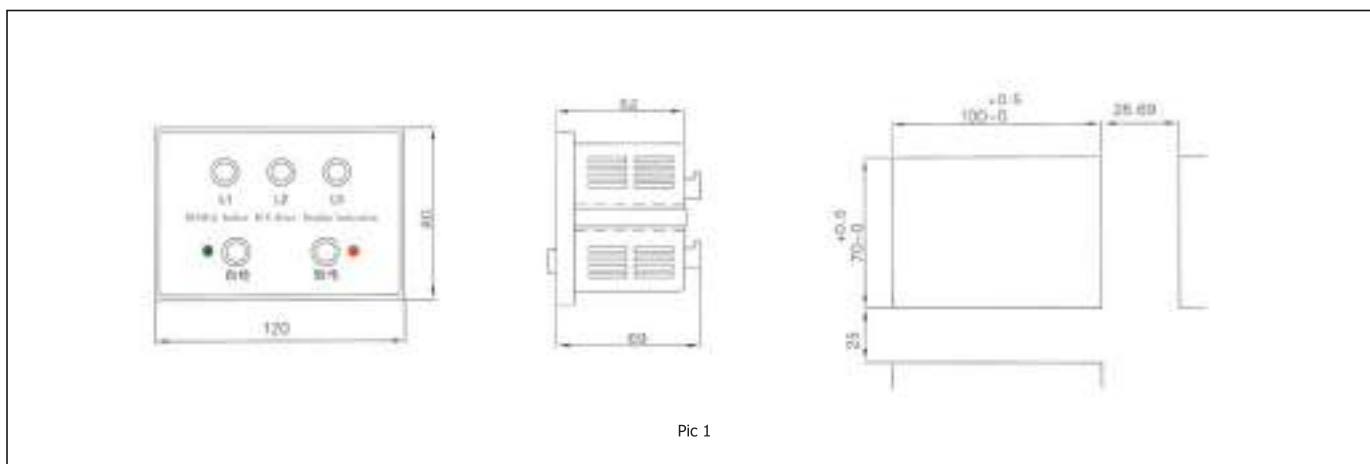
HOLE SIZE: 100*70MM SERIES (WITH SELF-CHECK FUNCTION)



Pic 2

Back view wiring diagram

Outline of installation hole dimensions

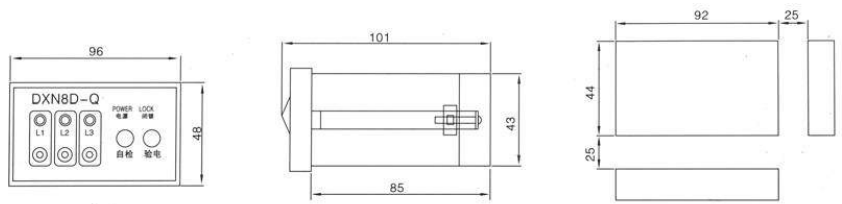


Pic 1

Voltage indicator selection table

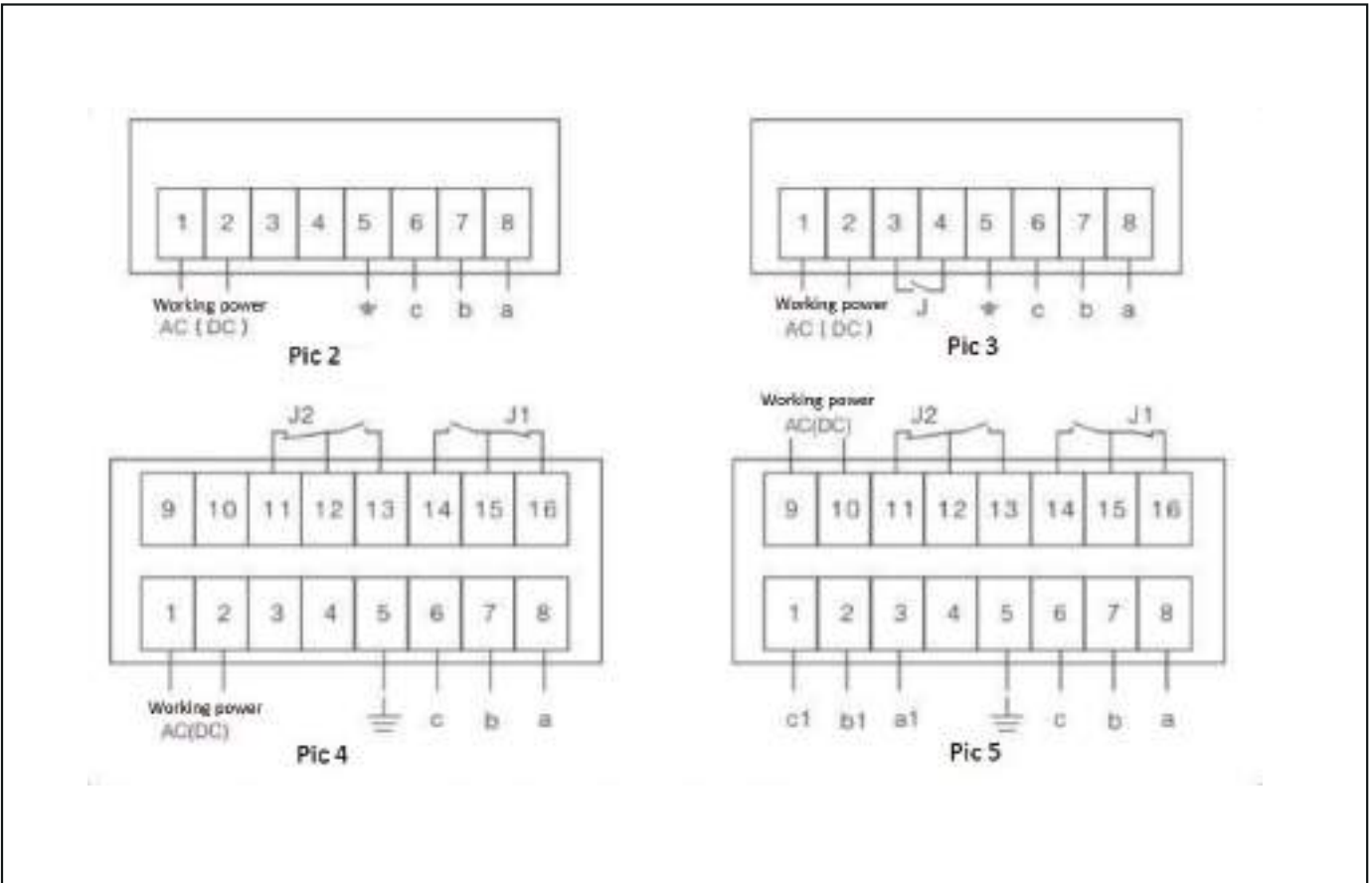
Ordering number	Model type	H.V indicating light-emitting element			Lockout working power supply (V)	Hole dimensions (mm*mm)	Outline & installation hole dimensions	Back view wiring diagram	Remarks
		type	Working voltage (V)	Service life (h)					
X-26	DXN8D-7.2~40.5/Q16	Super bright light-emitting diode	< DC2.5	> 500000	AC220	100*70	Pic 1	Pic 2	Adaptive voltage capacity See Table 1 on page 120
X-27	DXN8D-7.2~40.5/Q18				DC220 DC110 AC110				

HOLE SIZE: 92*44MM SERIES



Pic 1

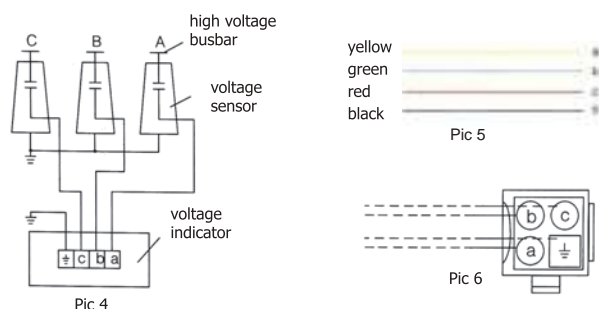
Outline of installation hole dimensions



Voltage indicator selection table

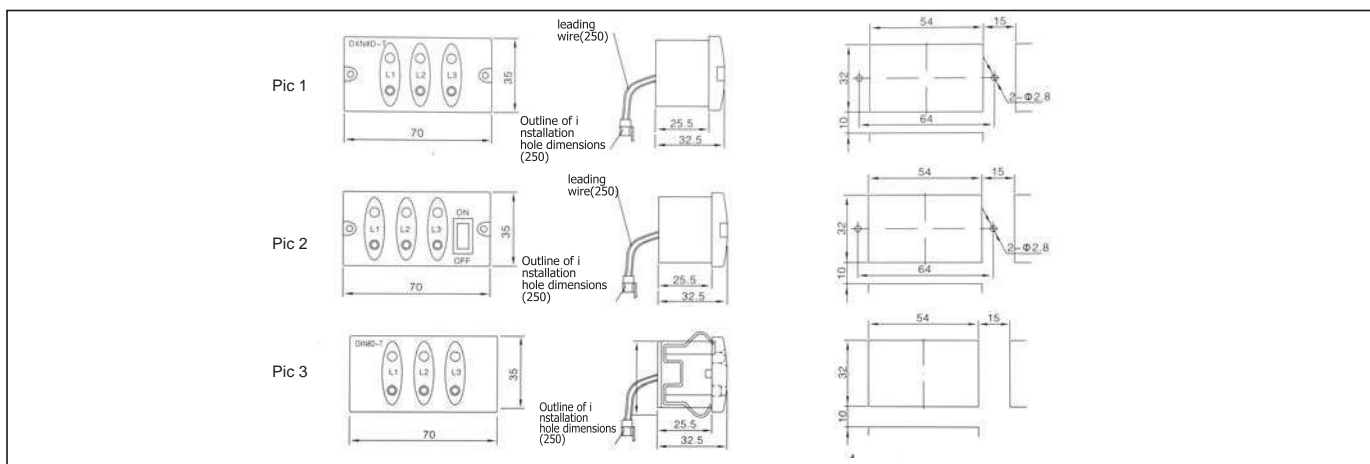
Ordering number	Model type	Light-Emitting element	Lockout work power Supply(V)	Outline installation hole dimensions(mm*mm)	Back view wiring diagram	Adaptive voltage capacity	Remarks	
X-23	DXN8D-7.2~40.5/T14	Supper bright light-emitting diode	AC/DC:220, DC110	92*44 Pic 1	Pic 2	See Table 1		
X-24	DXN8D-7.2~40.5/Q14		DC: 24 48		Pic 3			
X-25	DXN8D-7.2~40.5/T15		AC/DC:220, DC110		Pic 2			
X-26	DXN8D-7.2~40.5/Q15		DC: 24 48		Pic 3			
X-27	DXN8D-7.2~40.5/Q14-2F		AC/DC:220, DC110		Pic 4		Two sets of auxiliary contacts	
X-28	DXN8D-7.2~40.5/Q15-2F		DC: 24 48		Pic 4		Two sets of auxiliary contacts	
X-29	DXN8D-7.2~40.5/Q14-2C		AC/DC:220, DC110		Pic 5		Connect "one driving two" in series	
X-30	DXN8D-7.2~40.5/Q15-2C		DC: 24 48		Pic 5		Connect "one driving two" in series	
X-31	DXN8D-12/T14S		AC/DC:220, DC110		Pic 2		20(±3) pF	
X-32	DXN8D-12/Q14S		DC: 24 48		Pic 3			
X-33	DXN8D-12/T15S		AC/DC:220, DC110		Pic 2			
X-34	DXN8D-12/Q15S		DC: 24 48		Pic 3			
X-35	DXN8D-12/Q14S-2F		AC/DC:220, DC110		Pic 4	Two sets of auxiliary contacts		
X-36	DXN8D-12/Q15S-2F		DC: 24 48		Pic 4	Two sets of auxiliary contacts		
X-37	DXN8D-12/Q14S-2C		AC/DC:220, DC110		Pic 5	Connect "one driving two" in series		
X-38	DXN8D-12/Q15S-2C		DC: 24 48		Pic 5	Connect "one driving two" in series		

HOLE SIZE: 54*32MM SERIES



Back view wiring diagram

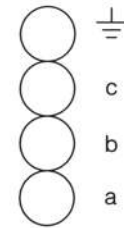
Outline of installation hole dimensions



Voltage indicator selection table

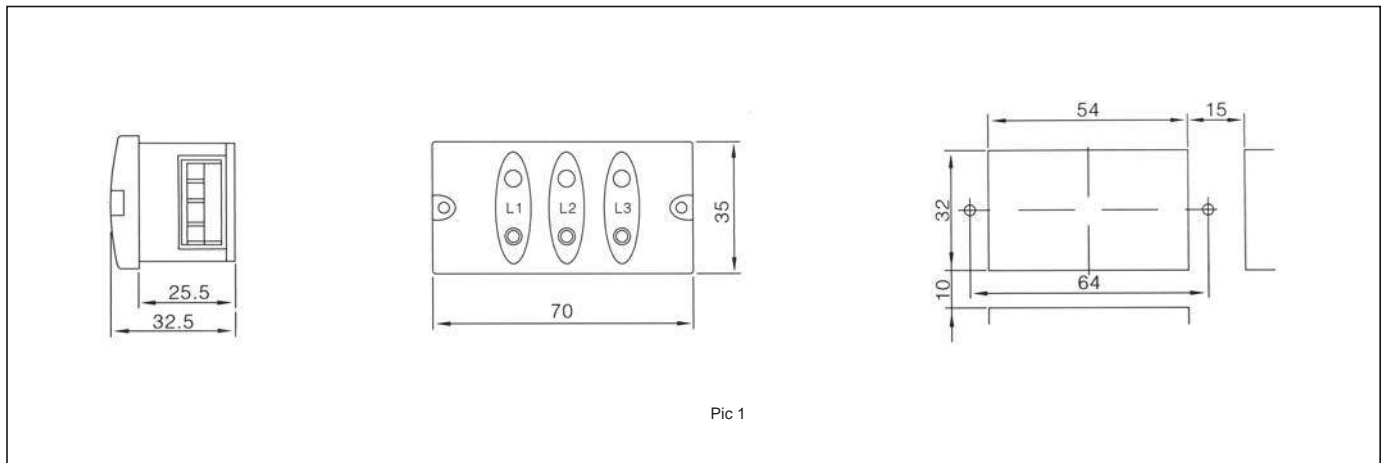
Ordering number	Model type	H.V inducting light-emitting element			Outline & installation hole dimensions	Back view wiring diagram	Phase voltage for testing phase conformity (V)	Phase voltage for testing phase discrepancy (V)	Remarks
		type	Working voltage (V)	Service life (h)					
X-30	DXN8D-7.2~40.5/T4	Super bright light-emitting diode	<DC2.5	>50000	Pic 1	Pic 6	<AC30	>AC60	Adaptive voltage capacity See Table 1 on page 120
X-31	DXN8D-12/T4S				Pic 2				Adaptive voltage capacity is with 15-30pF sensor or built-in sensor in tube shape
X-32	DXN8D-12/T4Z				Pic 3				The way of installation is with snap ring.
X-33	DXN8D-12/T4K								
X-34	DXN8D-12/T4S(K)								

HOLE SIZE: 54*32MM SERIES, LATERAL TYPE(LYD103)



Pic 2
Back view wiring diagram

Outline of installation hole dimensions

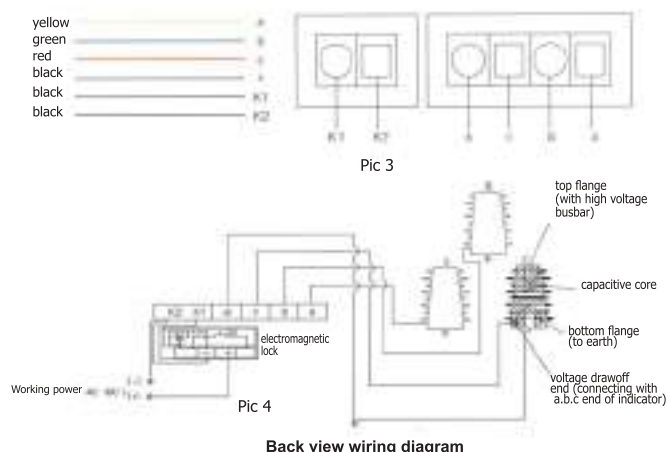


Pic 1

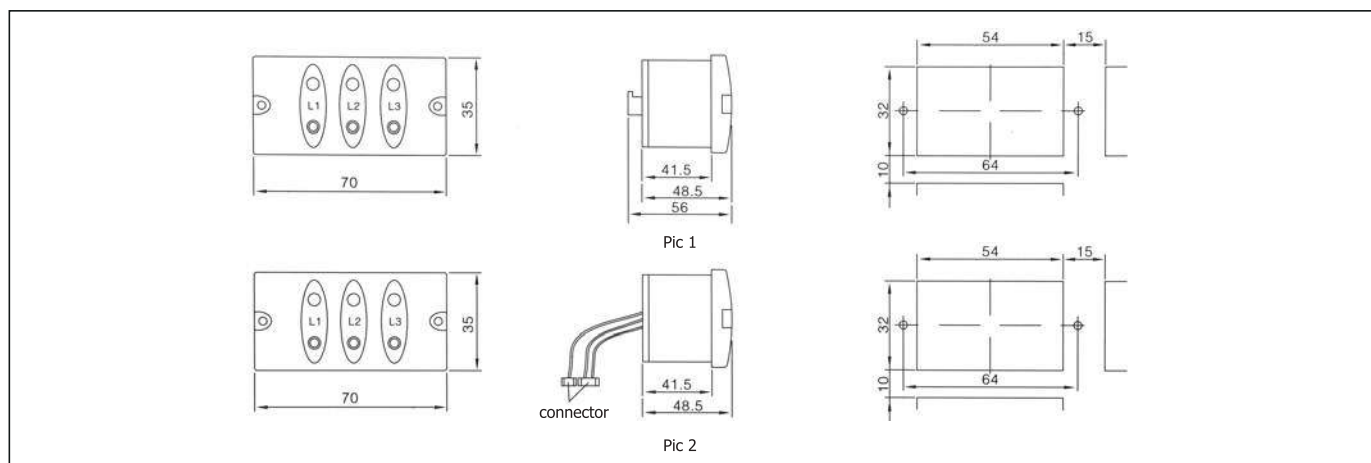
Voltage indicator selection table

Ordering number	Model type	H.V. indicating light-emitting element			Outline & installation hole dimensions	Back view wiring diagram	Phase voltage for testing phase conformity (V)	Phase voltage for testing phase discrepancy (V)	Remarks
		type	Working voltage (V)	Service life (h)					
X-35	DXN8D-7.2~40.5/T8	Super bright light-emitting diode	<DC2.5	>50000	Pic 1	Pic 2	<AC30	>AC60	Adaptive voltage capacity See Table 1 on page 120
X-36	DXN8D-12/T8S								Adaptive voltage capacity is with 15-30pF sensor or built-in sensor in tube shape

HOLE SIZE: 54*32MM SERIES (LYD 103-Q, WITH SELF-CHECK FUNCTION)



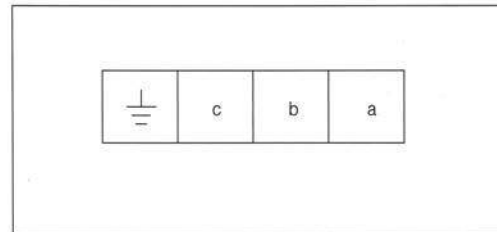
Outline of installation hole dimensions



Voltage indicator selection table

Ordering number	Model type	H.V inducting light-emitting element			Lockout working power supply (V)	Outline & installation hole dimensions	Back view wiring diagram	Phase voltage for testing phase conformity (V)	Phase voltage for testing phase discrepancy (V)	Remarks
		type	Working voltage (V)	Service life (h)						
X-37	DXN8D-7.2~40.5/T4	Super bright light-emitting diode	<DC2.5	>50000	AC220 DC220 DC110	Pic 1	Pic 4	<AC30	>AC60	Adaptive voltage capacity See Table 1 on page 120 Adaptive voltage capacity is with 15-30pF sensor or built-in sensor in tube shape
X-38	DXN8D-7.2~40.5/T4C					Pic 2	Pic 3			
X-39	DXN8D-12/QT4S					Pic1	Pic4			
X-40	DXN8D-12/QT4SC					Pic 2	Pic 3			

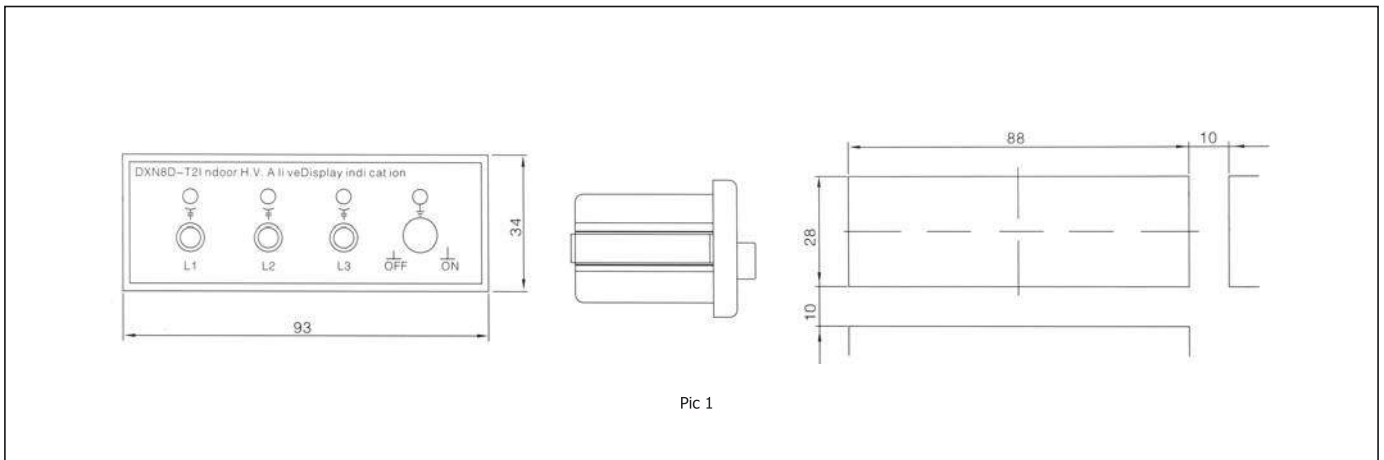
HOLE SIZE: 88*28MM SERIES



Pic 2

Back view wiring diagram

Outline of installation hole dimensions

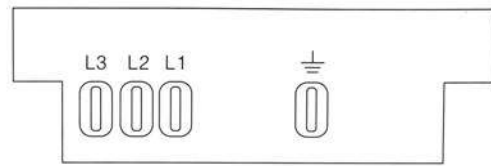


Pic 1

Voltage indicator selection table

Ordering number	Model type	H.V. indicating light-emitting element			Installation holes (mm*mm)	Outline & installation hole dimensions	Back view wiring diagram	Phase voltage for testing phase conformity (V)	Phase voltage for testing phase discrepancy (V)	Remarks
		type	Working voltage (V)	Service life (h)						
X-41	DXN8D-7.2~40.5/T2	Super bright light-emitting diode	<DC2.5	>50000	88*28	Pic 1	Pic 2	<AC30	>AC60	Adaptive voltage capacity See Table 1 on page 120
X-42	DXN8D-7.2~40.5/T2K									

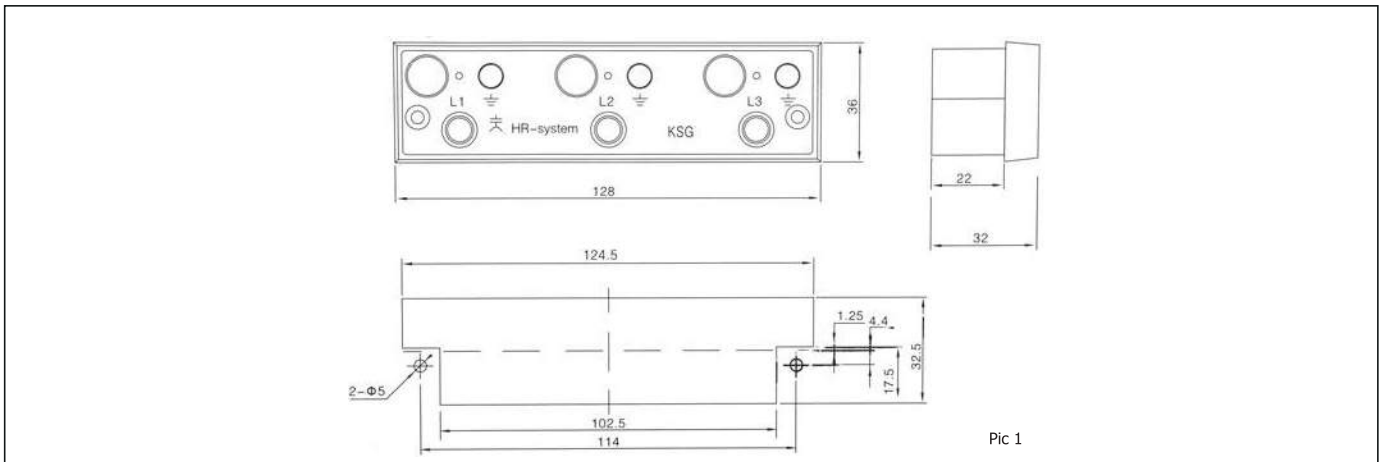
KSG-7.2~40.5 SERIES



Pic 2

Back view wiring diagram

Outline of installation hole dimensions

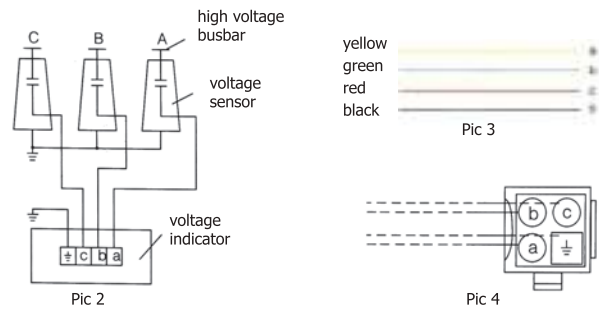


Pic 1

Voltage indicator selection table

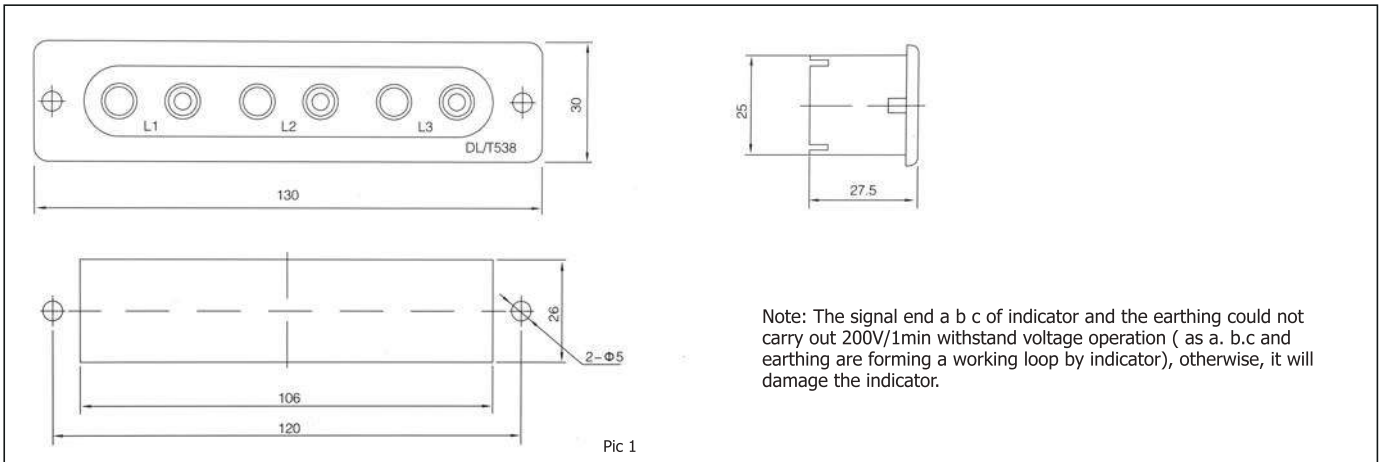
Ordering number	Model type	H.V indicating light-emitting element			Outline & installation hole dimensions	Back view wiring diagram	Phase voltage for testing phase conformity (V)	Phase voltage for testing phase discrepancy (V)	Remarks
		type	Working voltage (V)	Service life (h)					
X-35	KSG-12	Super bright light-emitting diode	<DC2.5	>50000	Pic 1	Pic 2	<AC30	>AC60	Adaptive voltage capacity 15-30pF

HOLE SIZE: 106*26MM SERIES (L=130)



Back view wiring diagram

Outline of installation hole dimensions

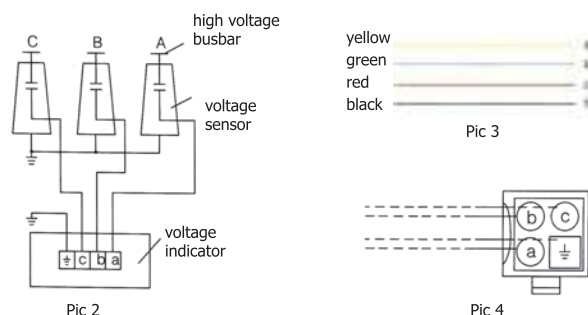


Voltage indicator selection table

Ordering number	Model type	H.V inducting light-emitting element			Outline & installation hole dimensions	Back view wiring diagram	Phase voltage for testing phase conformity (V)	Phase voltage for testing phase discrepancy (V)	Remarks
		type	Working voltage (V)	Service life (h)					
X-44	DXN8D-7.2~40.5/T5	Super bright light-emitting diode	<DC2.5	>50000	Pic 1	Pic 4	<AC30	>AC60	Adaptive voltage capacity See Table 1 on page 120
X-45	DXN8D-12/T5S	Super bright light-emitting diode	<DC2.5	>50000	Pic 1	Pic 4	<AC30	>AC60	Adaptive voltage capacity is with 15~30pF sensor or built-in sensor in tube shape

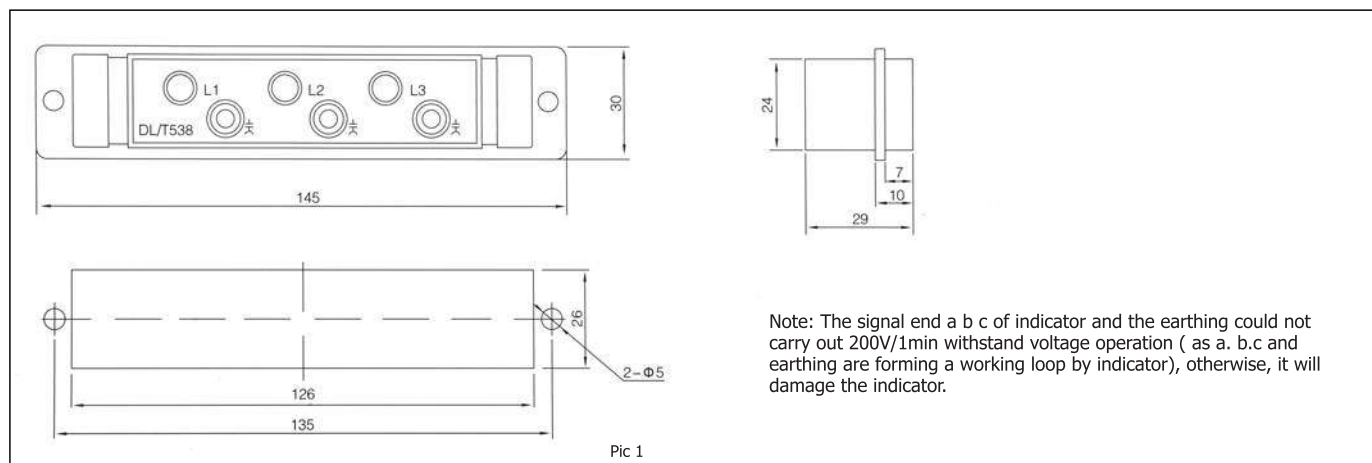
Note: the connecting wire of the indicator could be selected based on customer's request.

HOLE SIZE: 106*26MM SERIES (L=145)



Back view wiring diagram

Outline of installation hole dimensions



Voltage indicator selection table

Ordering number	Model type	H.V indicting light-emitting element			Outline & installation hole dimensions	Back view wiring diagram	Phase voltage for testing phase conformity (V)	Phase voltage for testing phase discrepancy (V)	Remarks
		type	Working voltage (V)	Service life (h)					
X-46	DXN8D-7.2~40.5/T7	Super bright light-emitting diode	<DC2.5	>50000	Pic 1	Pic 4	<AC30	>AC60	Adaptive voltage capacity See Table 1 on page 120
X-47	DXN8D-12/T7S								Adaptive voltage capacity is with 15~30pF sensor or built-in sensor in tube shape

Note: the connecting wire of the indicator could be selected based on customer's request.

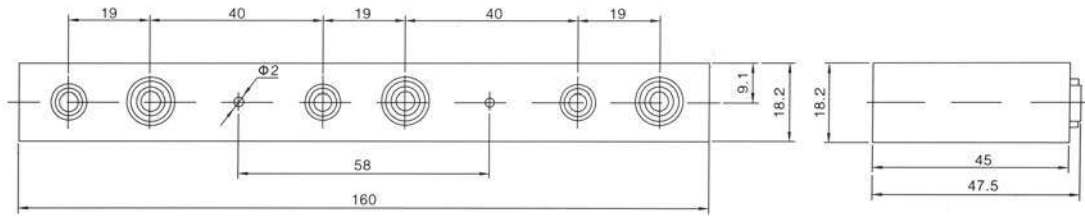
HOLE SIZE: 106.5*18.5MM SERIES



Pic 2

Back view wiring diagram

Outline of installation hole dimensions

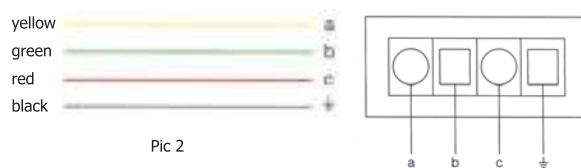


Pic 1

Voltage indicator selection table

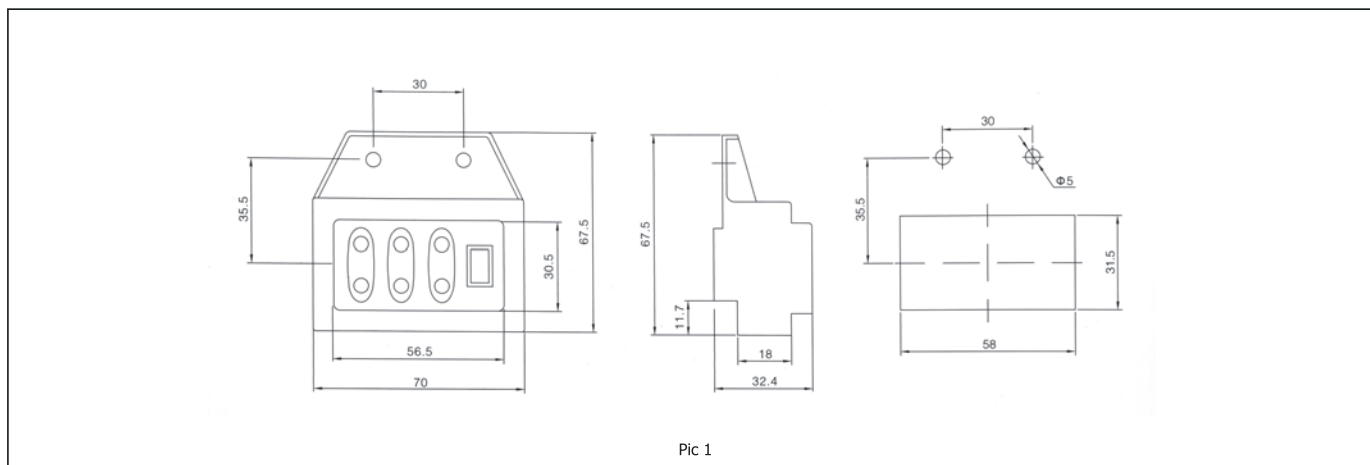
Ordering number	Model type	H.V indicating light-emitting element			Outline & installation hole dimensions	Back view wiring diagram	Phase voltage for testing phase conformity (V)	Phase voltage for testing phase discrepancy (V)	Remarks
		type	Working voltage (V)	Service life (h)					
X-48	DXN8D-12/T9S	Super bright light-emitting diode	<DC2.5	>50000	Pic 1	Pic 2	<AC30	>AC60	Adaptive voltage capacity is with 15-30pF sensor or built-in sensor in tube shape

HOLE SIZE: 58*31.5MM SERIES



Back view wiring diagram

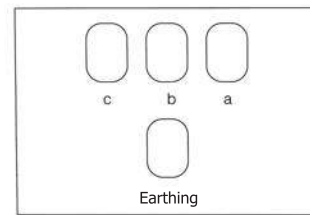
Outline of installation hole dimensions



Voltage indicator selection table

Ordering number	Model type	H.V indicating light-emitting element			Outline & installation hole dimensions	Back view wiring diagram	Phase voltage for testing phase conformity (V)	Phase voltage for testing phase discrepancy (V)	Remarks
		type	Working voltage (V)	Service life (h)					
X-49	DXN8D-12/T4	Super bright light-emitting diode	<DC2.5	>50000	Pic 1	Pic 2	<AC30	>AC60	Adaptive voltage capacity
X-50	DXN8D-12/T10S								See Table 1 on page 120
X-51	DXN8D-12/T11S								Adaptive voltage capacity is with 15-30pF sensor or built-in sensor in tube shape
									Adaptive voltage capacity is with 5-10pF sensor or built-in sensor in tube shape.

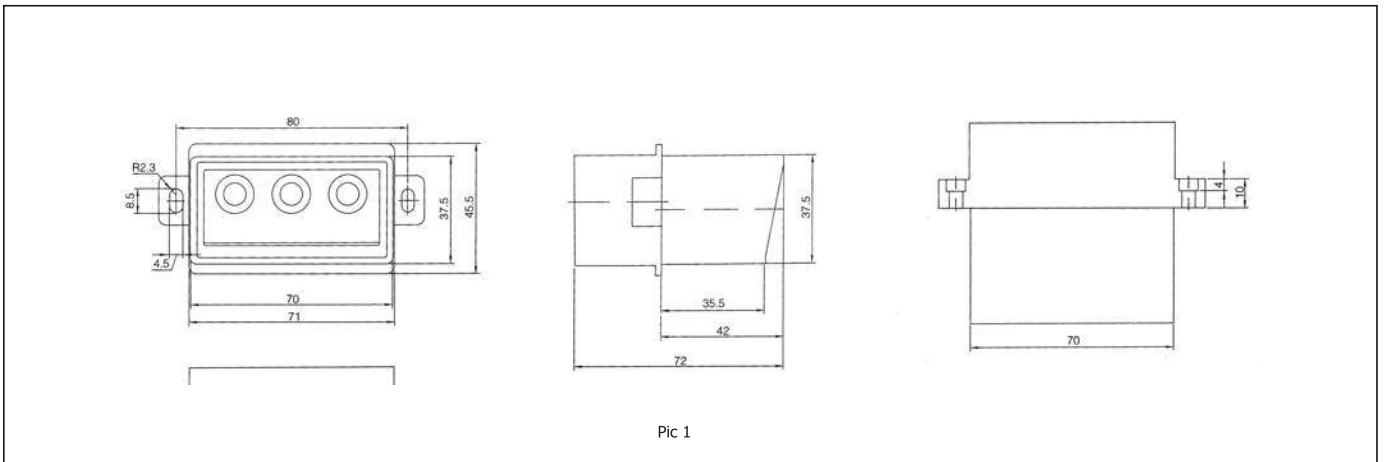
HOLE SIZE: 71*38MM SERIES



Pic 2

Back view wiring diagram

Outline of installation hole dimensions



Pic 1

Voltage indicator selection table

Ordering number	Model type	H.V inducting light-emitting element			Outline & installation hole dimensions	Back view wiring diagram	Phase voltage for testing phase conformity (V)	Phase voltage for testing phase discrepancy (V)	Remarks
		type	Working voltage (V)	Service life (h)					
X-52	ZS8-1	Super bright light-emitting diode	<DC2.5	>50000	Pic 1	Pic 2	<AC30	>AC60	Adaptive voltage capacity is with 15-30pF sensor or built-in sensor in tube shape

HX2-2 PHASE COMPARATOR (PC)



Summary :

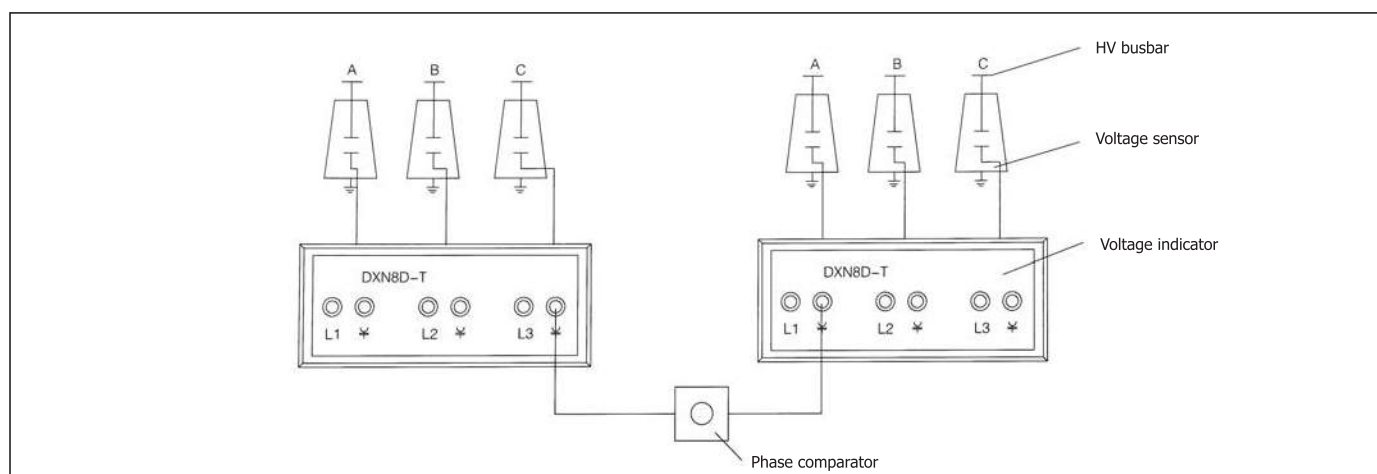
HX2 type phase comparator (PC) is matched with DXN8D series indoor HV charged display devices (the indicator panel sets the phase testing end) .It is applied to indoor 3.6-40.5kV,50Hz HV charged display dual power, multipower supply substation,distribution substation (especially for inlet cable).After inspection and before power transmission,operator could compare the phases by LV end without opening the switchgear door

Using Method :

Before phase comparison,operator should make sure all wirings are correct within HV switchgear, namely the sequences of cables between voltage sensor and voltage indicator are right.When two HV powers are supplying normally, operator should do the following steps after making sure all voltage indicators are normally working: Insert one plug of the comparator end into L1 phase testing end on the voltage indicator of working power switchgear,then insert the other plug of the comparator end into L1,L2,L3 phase testing end separately on the voltage indicator panels of pending power supply switchgear, to observe the indicator light conditions of comparator(See picture as below)

Technical Parameter :

The internal adopts low power consumption Neon bulb light emitting element,when input voltage is over 60V, the indicating lamp of comparator lights up
When phases are the same, the indicating lamp will not light up
When phases are different,the indicating lamp will light up
Two ends of comparator adopts 4mm standard banana plug,the length of testing cable: 2m

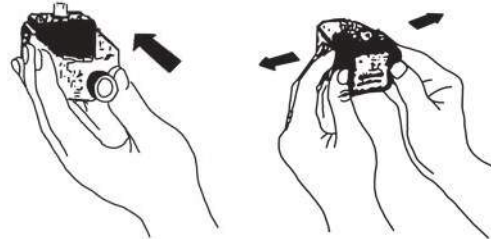


EKL4 SHORT CIRCUIT EARTH FAULT INDICATOR



Installation :

1. The indicator can installed in the ring main unit (Switch board, cable branch box, etc.) on the front panel and the operator must push the shrapnel on the indicator while dismantling it
2. The indicator size: 96*48*80 mm
3. The hole size: 92*44 mm



Summary :

Short circuit and earth fault indicator form a complete set and are installed on RMU, cable branch box, substation in the electricity distribution network system, which is a kind of real-time monitoring device of short circuit and single-phase ground fault used for pointing out the sector of corresponding cable. The circuit breaks down, staff members can rely on the warning instruction of the indicating device, confirm the fault section rapidly, and find out the faulty point. Meanwhile, the warning message can be sent to the server of the control center in time, reveal the faulty area and concrete position and lead line patrol to confirm the faulty section and find out the faulty point rapidly. This indicating device has offered the best solution for solving the problem to find faulty points. It helps to raise operating efficiency, shorten the time of black out, resume supplying power rapidly, improve service ability and economic benefits

Main function :

1. Short circuit alarming and indicating: Short circuit sensor measures the circuit at work, when the electric current reaches or exceeds the setting value of the short circuit current when the short trouble takes place in the circuit, short circuit sensor send out the alarm signal, transmit to the indicator computer via the wire (the optic fiber) , after the indicator computer receives this signal, it produces the corresponding warning indicator signal.
2. Earthing alarming and indicating The earthing sensor measures the zero sequence current of the circuit at work, when the earthing current reaches or exceeds the setting value of the earthing current when the ground fault takes place in the circuit, the
3. Low voltage alarming and indicating The indicator adopts battery power supply, it will send out voltage signal when the voltage of battery is below normal working voltage
3. 0v to remind workers to change battery Low battery alerting function could separately indicate no less than 60 lasting days □ earthing sensor will send out the alarm signal, transmit to the indicator computer via the wire (the optic fiber) , after the indicator computer receives this signal, it produces the corresponding warning indicator signal
4. Reset automatically: After the indicating device sends out the alarm signal, if it was not reset manually, after the setting time, the indicating device can be reset automatically.
5. Manual reset: After the indicating device alerts, operator could release the alerts through pushing " resets / tests " button on the indicator indicator panel after holding for 3 seconds.
6. Automation: After the indicating device produces the corresponding warning indicator signal, it will output the remote alarm signal transmission. The indicating device can also receive the reset signal from the distant place, and will reset it by remote operation
7. Test: The indicator can carry on the work of self test.

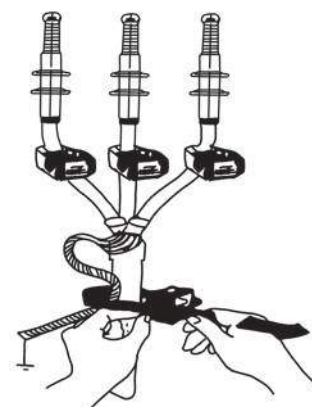
Installation:

Earthing sensor:

The three cables of earthing sensor should be wrapped while installing ,the earthing cable should be crossed back to the sensor

Connection between earthing sensor and indicator

Red,yellow,blue cables should be fixed to the corresponding terminal 3,2,1 on the back of indicator



Facility list

1. Indicator 1EA
2. Short circuit sensor 3 EA
3. Earthing sensor 1EA
4. Short circuit transmission fiber wires : 3 EA(Standard length 2m/EA),earthing transmitting wire 1 EA(Standard length 2m/EA)
5. Certificate
6. Installation instruction

Order instruction

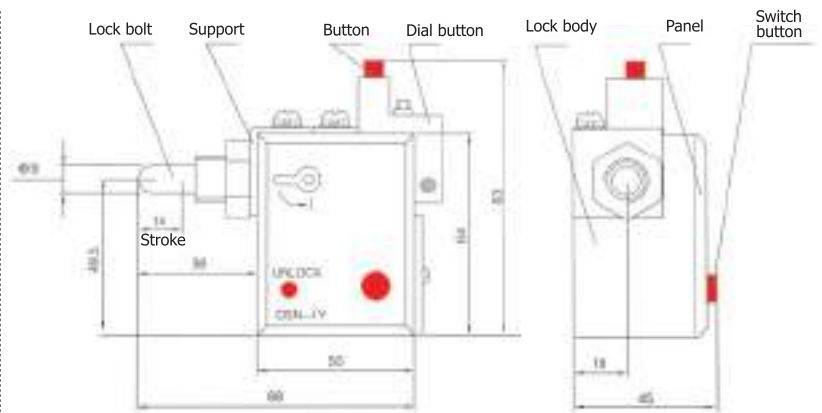
1. The starting value of short circuit alert current
2. The starting value of earthing alert current
3. Automatic reset time
4. The length of wire(fiber)(standard length is 2m/EA, added length should be paid additionally)

Technical parameter

1. Short circuit current alert: $\geq 150\text{A}$ continuously adjustable; factory set: 630A, short circuit delayed 20-300ms adjustable, factory set 200ms
2. Earthing current alert: $\geq 5\text{A}-400\text{A}$ continuously adjustable; factory set: 10A, earthing delayed 20-300ms adjustable, factory set: 200ms
3. Working power supply: ER 14505 lithium battery 3.6V/1.9Ah (Valid ≥ 8 years)
4. Overall unit standby current: $\leq 5\mu\text{A}$
5. Automatic reset time: 1s-32h (factory set 8h)
6. Indicator level of protection: Indicator IP40 ;sensor IP65
7. Remote relay: 30DC/2A; 230VAC/1A
8. The biggest withstand current of short circuit current sensor: 20KA 4s
9. Working environment: -40°C to $+75^{\circ}\text{C}$;relatively temperature: $\leq 95\%$; waterproof, acid proof, anti salt mis
10. Usage range: below 20kV system

INDOOR ELECTROMAGNETIC LOCK SERIES MODEL: DSN-I

Outline mounting dimension and Back view wiring diagram



Right unlock

Feature and application:

This product is a kind of electric interlock device, can prevent electric misoperation of high voltage switch equipment. Mainly used for human operation indoor isolating switch, is adapted to realize it with electric interlocking between circuit breaker and other safety interlock need to implement compulsory interlock, prevent misoperation, is indispensable to power generation and power supply department for locking device.

Indoor electromagnetic lock selection and basic data:

Order no	Product model	Rated voltage	Rated current	Rated power	Thread specification of mounting bracket	Latch stroke	Remark
D-1	DSN-Z	AC220V	100mA	< 3VA	M14 M16	14mm	Three power,voltage is universal
D-2	DSN-Y	DC220V DC110V	196mA 98mA	< 50W < 12W			
D-3	DSN-Z6	DC6V	400mA	< 2.5W			Specifically designed to our uninterruptible DC power, used for no secondary power operating supplied place, which can improve anti-wrong performance
D-4	DSN-Y6						

(Before order, please mark the outer diameter and thread pitch of lockpin screw on mechanism base)

Used environmental condition:

1. Ambient temperature: at -25°C to $+40^{\circ}\text{C}$, the special areas not less than -30°C .
2. Altitude: $\leq 1000\text{m}$
3. Atmospheric condition: the daily average of relative humidity is less than 95%, the average monthly is less than 90%; the daily average of water vapor pressure is less than 2.2kPa, the average monthly is less than 1.8kPa.
4. Working environment: no dirty, no flammable and explosive chemical corrosive deposition, no salt fog.

Method of use:

1. Normal operation steps:

- A. Press the switch button on panel, to processing circuit, electromagnet coil electricity action, moving iron core from the lock block, the lock indicator light, that allows the lock.
- B. Toggle dial in the direction of the lock button (on the left side of the lock to the left and the right side of the lock to the right), when to the limit position, press the red button on the left button, lock the lock is locked in the open position, the operation can be locked operator at this moment. If you want to block, the artificial toggle dial button (right away to the right and left open to the left), makes the automatic reset buttons or institutions a collision lock hear, lock can be reset automatically.

2. Manual unlock step:

- A. Press the button, the power is blocking circuit forced cut, the lock indicator is not on, moving Iron core stuck lock block, that is not allowed to open the lock.

- B. Special circumstances must be unlock, to get an unlock key and insert the unlocking hole, turned the key in the direction shown by the panel marked 90° to "—" or "stop", anchored off a lock of moving iron core block, the toggle button to unlock, to meet the "manual unlock" function.

3. Lock insurance:

- In the lock position to the Insurance of the M4 screw on the dial button Into, Into guide hole and the end, even if the lock objects have unlocked condition, also as long as have the aid of a special tool to unlock to meet the "lock insurance" function.

4. Note. to unlock the key to unlock process, it is anchored off a lock of moving iron core block, to remove the effect of blocking state, and the lock must dial button or lever to move the lock bolt, achieve the lock, so you can;t directly with the unlock key lock.

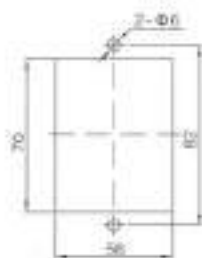
INDOOR ELECTROMAGNETIC LOCK SERIES MODEL: DSN-A(B) M

Execution standard : JB/T7827-95

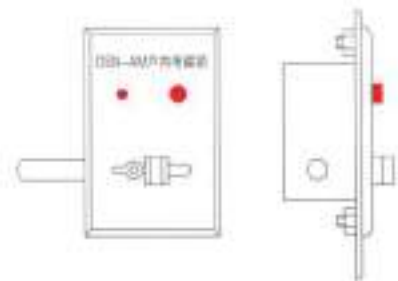
Outline mounting and Open holes dimension

Structure features :

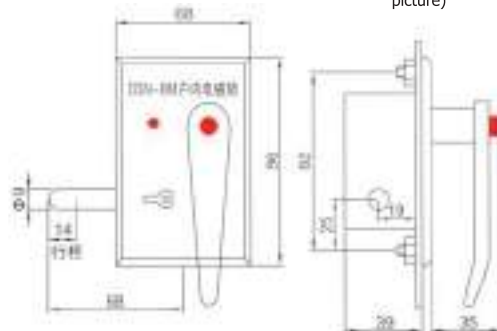
with integral structure, installation without separating the panel and lock body



Installation hole on door



Pluggable button type(Right side installation is shown on picture)



Handle type(Right side installation is shown on picture)

Indoor electromagnetic lock selection and basic data:

Order no	Product model Specification	Rated voltage	Rated current	Rated power	Doors hole size	Doors installation size	Latch stroke	Remark			
D-5	DSN-AMZ	AC220V DC220V DC110V	100mA	< 3VA	56*70 mm	Diameter φ6 pitch-row 82mm	14mm	Use new electromagnet structure, so three power,voltage is universal.			
D-6	DSN-AMY		196mA	< 50W							
D-7	DSN-BMZ		98mA	< 12W							
D-8	DSN-BMY										
D-9	DSN-AMZ6	DC6V	400mA	< 2.5W							Specifically designed to our uninterruptible DC power, used for no secondary power operating supplied place, which can improve anti-wrong performance
D-10	DSN-AMY6										
D-11	DSN-BMZ6										
D-12	DSN-BMY6										

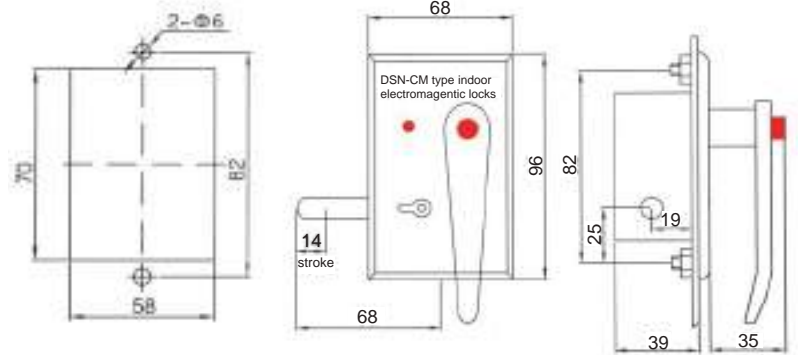
INDOOR ELECTROMAGNETIC LOCK SERIES MODEL: DSN-CM

Execution standard : JB/T7827-95

Outline mounting and Open holes dimension

Structure features :

with integral structure, installation without separating the panel and lock body



Cabinet door opening figure

Cabinet door opening figure

Indoor electromagnetic lock selection and basic data:

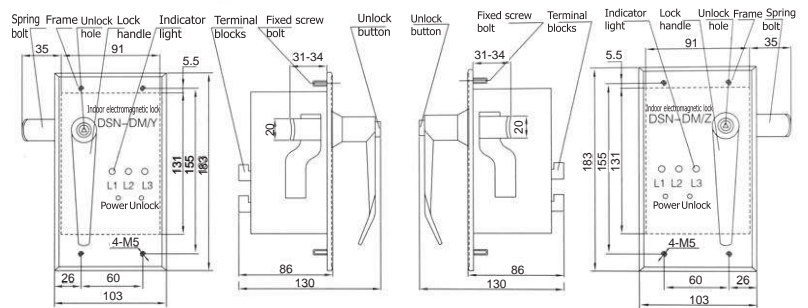
Order no	Product model Specification	Rated voltage	Rated current	Rated power	Doors hole size	Doors installation size	Latch stroke	Remark
D-21	DSN-CMY	AC220V	196mA	< 30VA	58*70 mm	Diameter φ6 pitch-row 82mm	14mm	Use new electromagnet structure, so three power,voltage is universal.
D-22	DSN-CMZ							

INDOOR ELECTROMAGNETIC LOCK SERIES MODEL: DSN-DM

Execution standard :

JB/T7827-95, IEC 61958:2000 DL/T538

Outline mounting and Open holes dimension



Note: Dotted line is the installation hole on switchgear 131*91
Pic 1 (Open on right) Installed on the left side on the door
Note: Dotted line is the installation hole on switchgear 131*91
Pic 1 (Open on left) Installed on the right side on the door

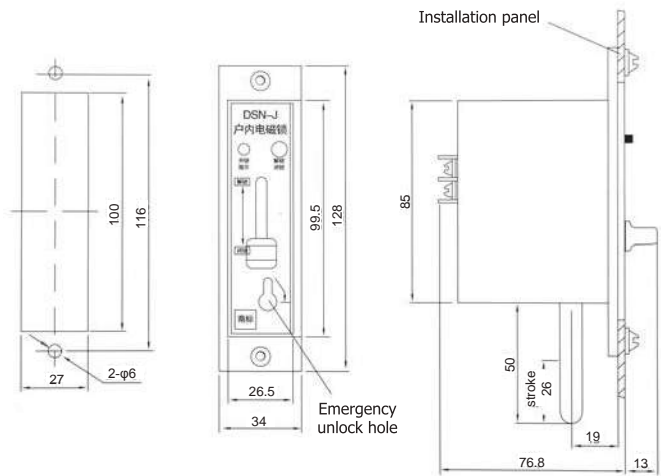
Indoor electromagnetic lock selection and basic data:

Order no	Product model Specification	Light-emitting element of display part of electromagnetic lock			Work voltage of electromagnetic lock(V)	Installation way	Outline and installation hole size	Back view diagram	Remark
		Type	Rated voltage(V)	service life(hour)					
D-13	DSN-DMY1	high brightness luminotron	< DC2.5	> 30000	AC220	Open on right	Diagram 1	Diagram 3	Specifically designed to our uninterruptible DC power
D-14	DSN-DMY3				DC220	Open on right	Diagram 1		
D-15	DSN-DMY4				AC110	Open on right	Diagram 2		
D-16	DSN-DMZ1				AC220	Open on left	Diagram 2		
D-17	DSN-DMZ3				DC220	Open on left	Diagram 2		
D-18	DSN-DMZ4				AC110	Open on left	Diagram 1		
D-19	DSN-DMY6				DC6	Open on right	Diagram 2		
D-20	DSN-DMZ6				DC6	Open on left	Diagram 1		

INDOOR ELECTROMAGNETIC LOCK SERIES MODEL: DSN-J

Execution standard : JB/T7827-95

Outline mounting and Open holes dimension



Indoor electromagnetic lock selection and basic data:

Order no	Product model Specification	Latch installation way	Rated voltage	Rated current	Rated power	Latch stroke	Remark
D-21	DSN-JX	Latch down install	AC220V DC220V DC110V	100mA 196mA 98mA	< 3VA < 50W < 12W	28mm	Three power,voltage is universal.
D-22	DSN-JS	Latch up install					
D-23	DSN-JZ	Latch left install					
D-24	DSN-JY	Latch right install					


SHOW PRODUCT

Circuit breaker accessories series

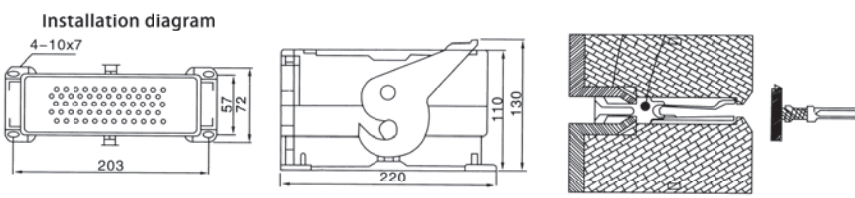


SECONDARY PLUG SOCKET SERIES

Name: JZ-58 Secondary plug socket



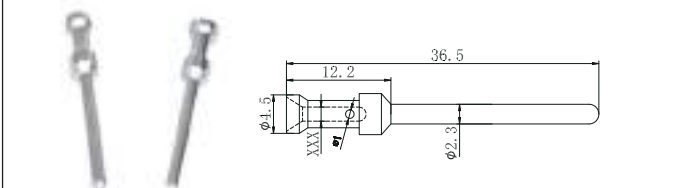
Installation diagram



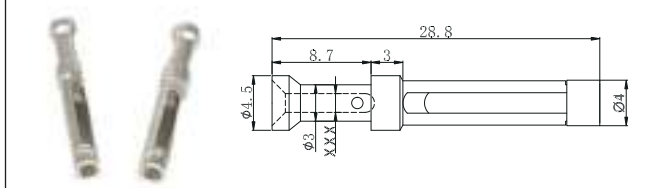
Rated voltage	Rated current	Mechanical endurance
AC 380V	AC 16A	2000 Times
DC 220V	DC 10A	

58 core accessories

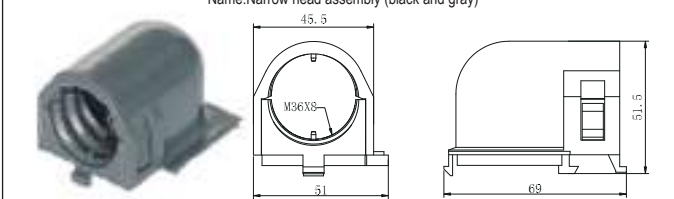
Name: Pin XXX=0.75mm²/1mm²/1.5mm²/2.5mm²/4mm²



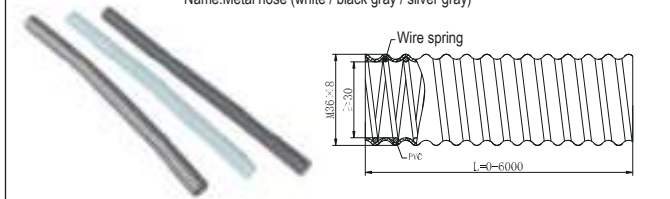
Name: Jack XXX=1.5mm²/2.5mm²/4mm²



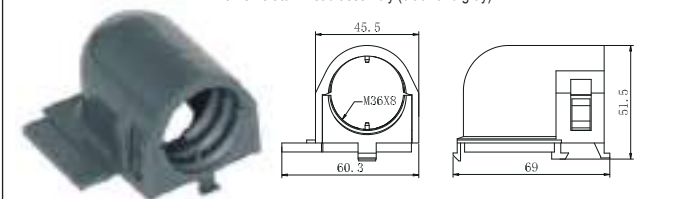
Name: Narrow head assembly (black and gray)



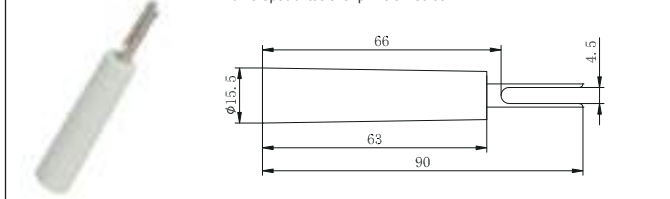
Name: Metal hose (white / black gray / silver gray)



Name: Left turn head assembly (black and gray)




Name: Special tools for pinhole insertion

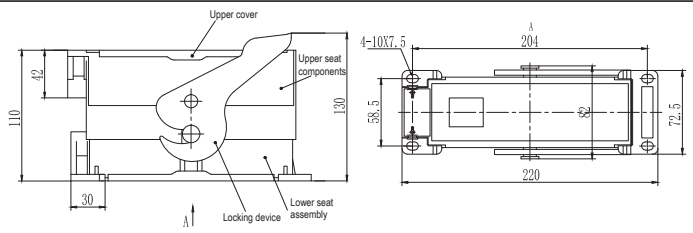


Name: Head components (cyan gray / yellow / black gray / cyan / beige / light green / blue gray / dark gray / gray green)



Name:JZ-64 Secondary plug socket






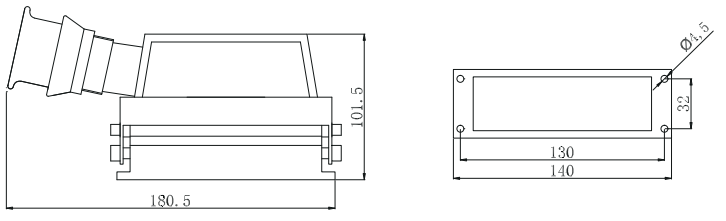
Upper cover
Upper seat components
Lower seat assembly
Locking device

110, 42, 30, 130, 4-10X7.5, 204, 56.5, 220, 72.5

Rated voltage	Rated current	Mechanical endurance
AC 380V	AC 16A	2000 Times
DC 220V	DC 10A	

Name:CD-64 Secondary plug socket



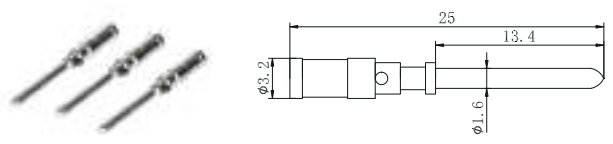


180.5, 101.5, 130, 140, 32, $\phi 1.5$

Rated voltage	Rated current	Mechanical endurance
AC 380V	AC 16A	2000 Times
DC 220V	DC 10A	

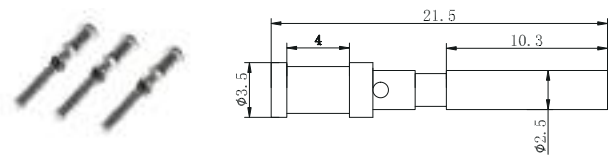
64 core accessories

Name:Pin Specifications:1.5mm²/2.5mm²




25, 13.4, $\phi 3.2$, $\phi 1.6$

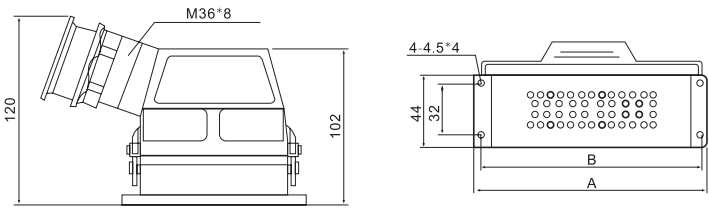
Name:Jack Specifications:1.5mm²/2.5mm²



21.5, 10.3, 4, $\phi 3.5$, $\phi 2.5$

Name:CD-46 Secondary plug socket





M36*8, 120, 102, 4-4.5*4, 44, 32, B, A

Rated voltage	Rated current	Mechanical endurance
AC 380V	AC 16A	2000 Times
DC 220V	DC 10A	

SPRING OPERATION MECHANISM

Spring operation mechanism-VBI



Spring operation mechanism-VBI-C



Spring operation mechanism-VS1



Spring operation mechanism -VS1- C



Spring operation mechanism-VSG



Spring operation mechanism-VSG-C



Spring operation mechanism CTB



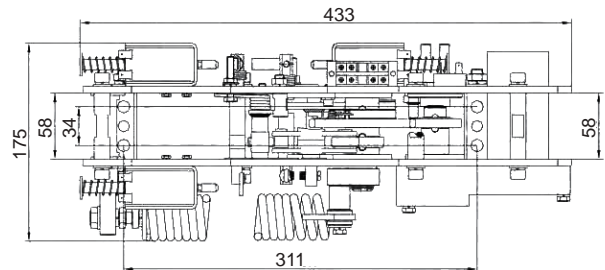
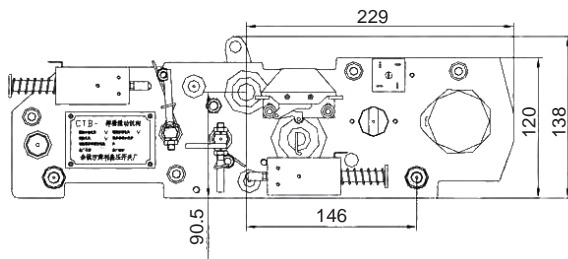
Summary

Model CTB spring operating mechanism is mainly used in outdoor Model ZW32 pole-mounted vacuum circuit breaker with a rated voltage 12kv and other indoor and outdoor vacuum circuit breaker and load switches with similar closing power. The performance of Model CTB spring operating mechanism fully meets the technical specifications of the operating mechanism under the national standard GB 1984" AC High Voltage Circuit Breaker" as well as IEC 56 standard.

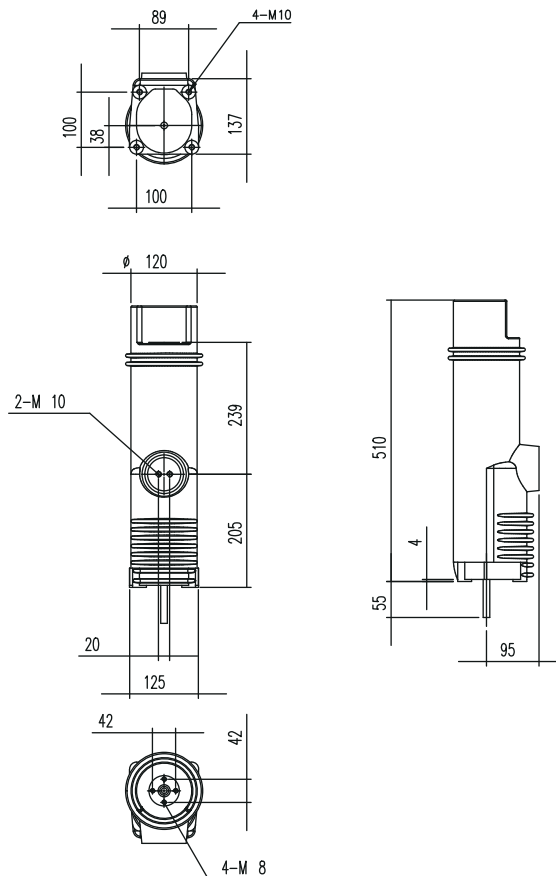
Operating Conditions

This product applies to the following working conditions:

- 1)Storage ambient air temperature limit of +65 C ,lower limit of -40 C .
- 2)The use of ambient air temperature limit of +65 C ,lower limit of -30 C .
- 3)Relative humidity:daily average ≤95%,on average ≤90%(±25% C)
- 4)Altitude:≤3000m
- 5)Wind speed:≤35m/s
- 6)Use of place:no fire,no explosion danger, no serious pollution,no corrosion and violent vibration.



Solid sealed pole



BUFFER

Buffer



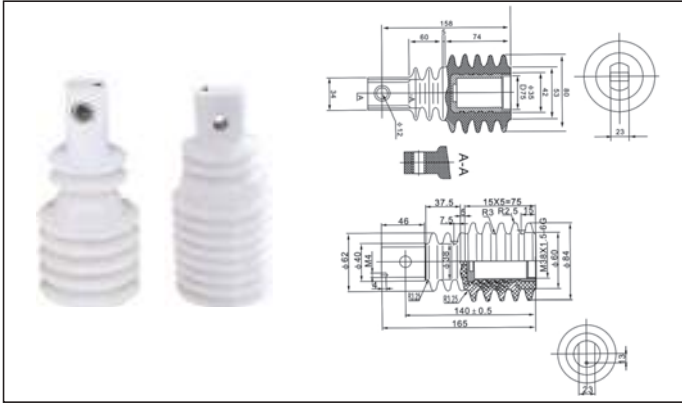
Electromagnet

Voltage DC/AC				
24 (V)	30 (V)	48 (V)	110 (V)	220 (V)
Produce according to customer's requirement				

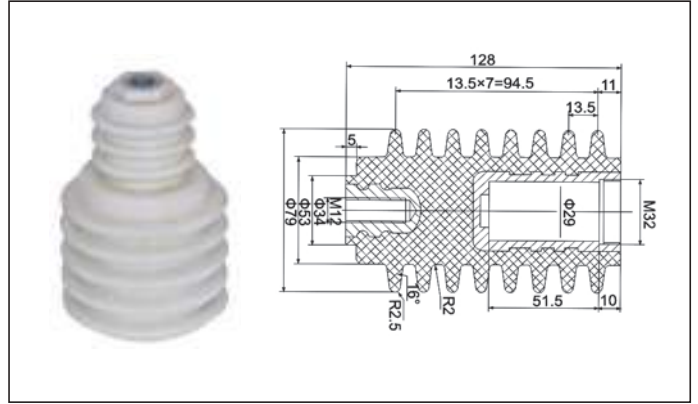
Current			
3 (A)	3.5 (A)	5 (A)	Produce according to customer's requirement

INSULATED OPERATING ROD SERIES

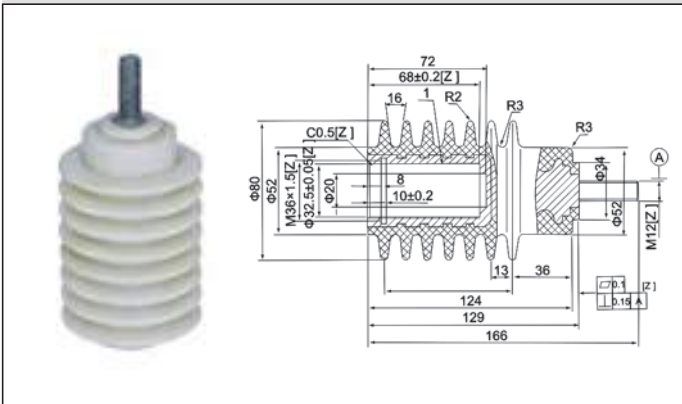
Model No.:LYC170
Name:VS1-12/630-1250A Insulated operating rod (Fixed)



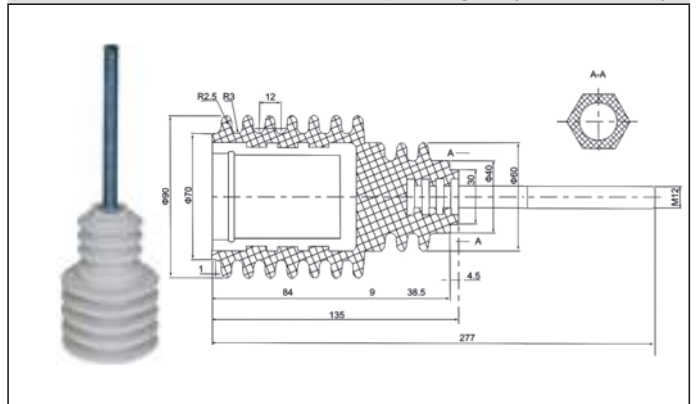
Model No.:LYC171
Name:VS1-12/630-1250A Insulated operating rod(Solid sealed)



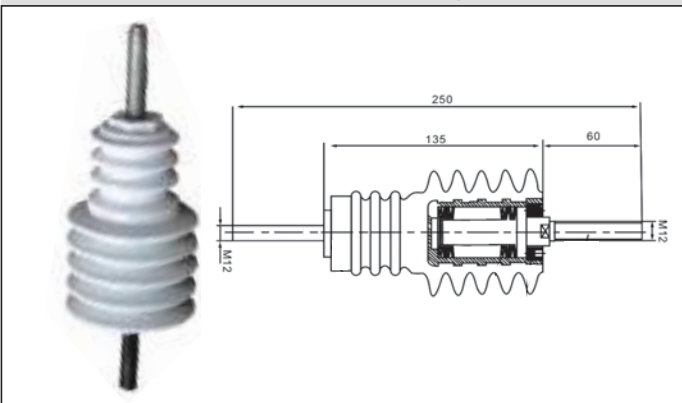
Model No.: LYC172
Name:VS1-12/630-1250A Insulated operating rod(Solid sealed)



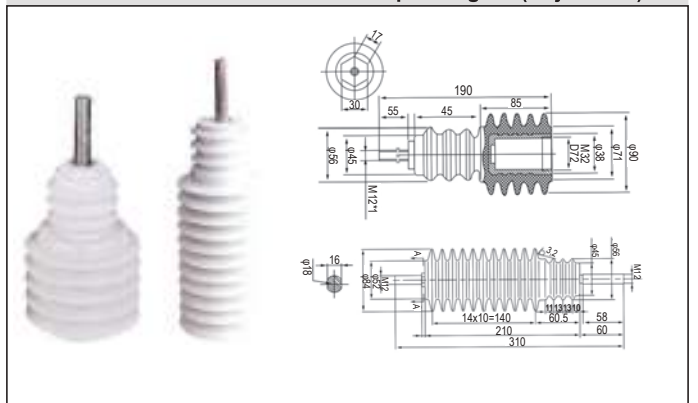
Model No.: LYC173
Name:VS1-12/630-1250A Insulated operating rod(Side-mounted)



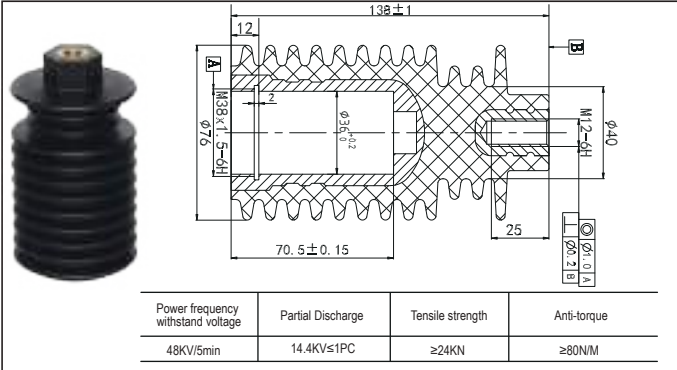
Model No.:LYC174
Name:VS1-12/630-1250A Insulated operating rod



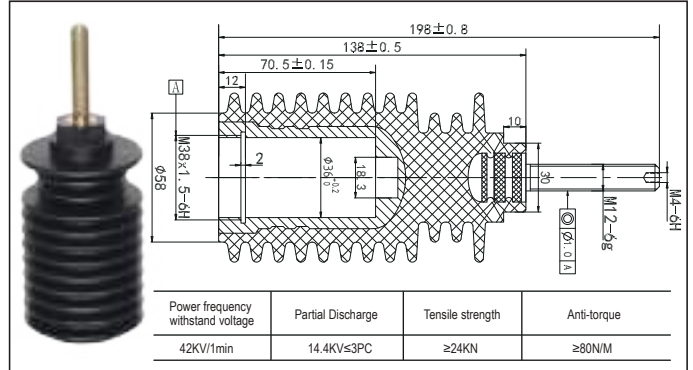
Model No.:LYC175
Name:VS1-12/2000-4000A Insulated operating rod(Adjustable)



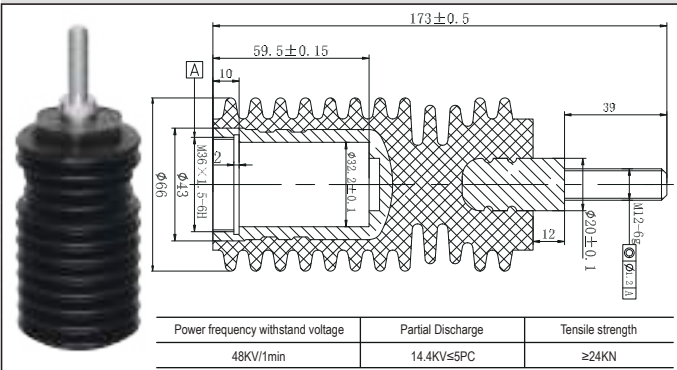
Model No.:LYC525 Name:12KV Insulated operating rod



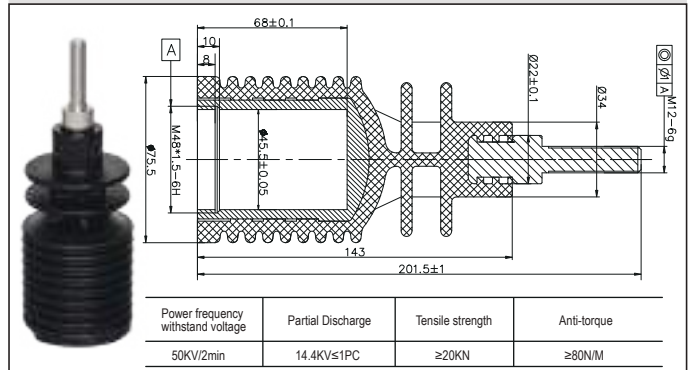
Model No.:LYC526 Name:12KV Insulated operating rod



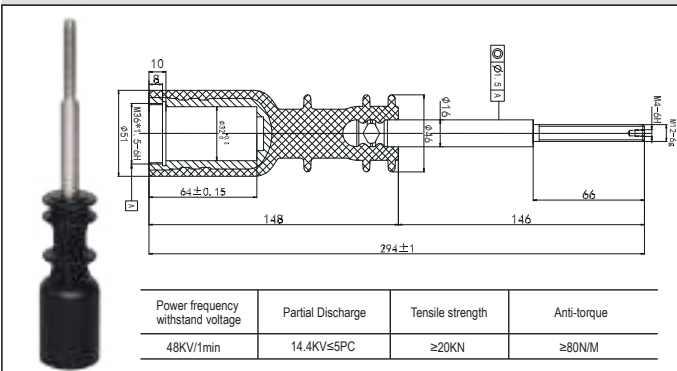
Model No.:LYC527 Name:12KV Insulated operating rod



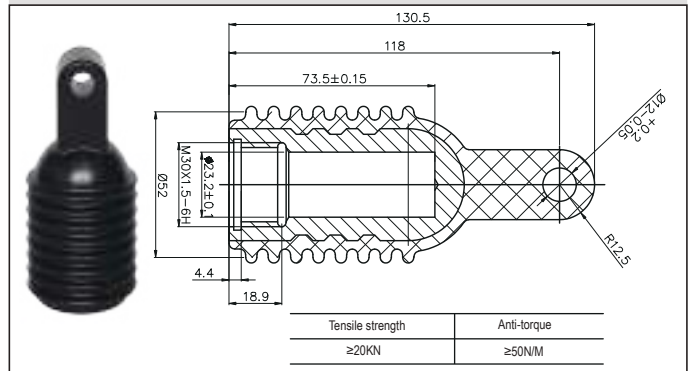
Model No.:LYC528 Name:12KV Insulated operating rod



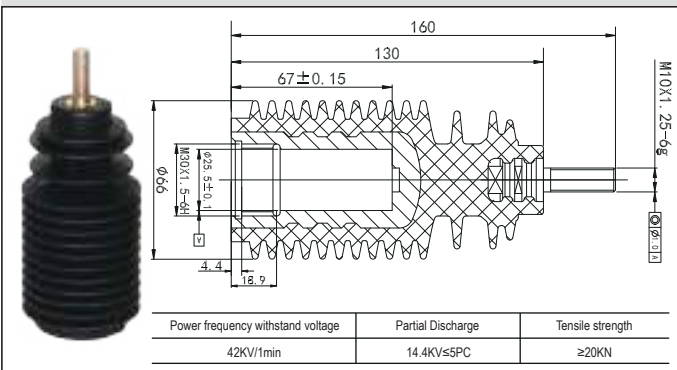
Model No.:LYC529 Name:12KV Insulated operating rod



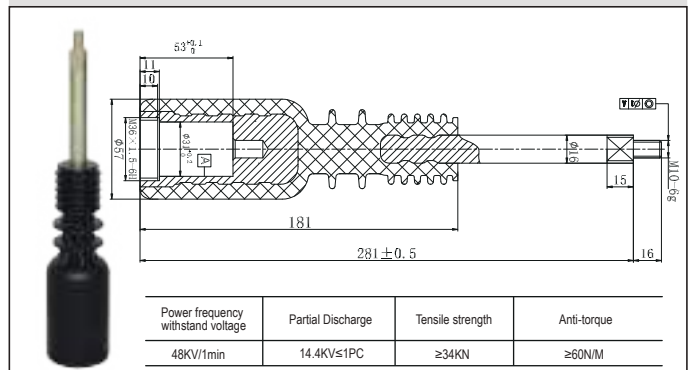
Model No.:LYC530 Name:12KV Insulated operating rod



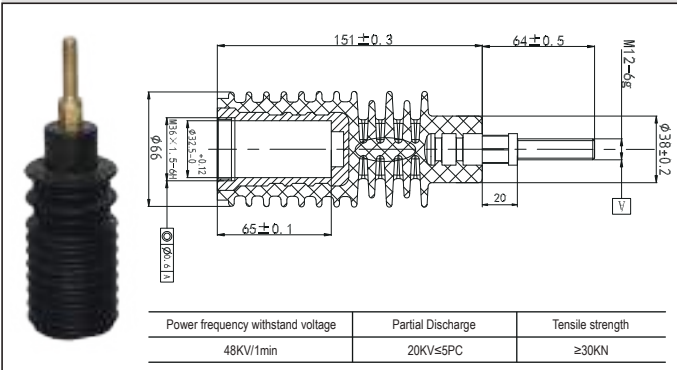
Model No.:LYC531 Name:12KV Insulated operating rod



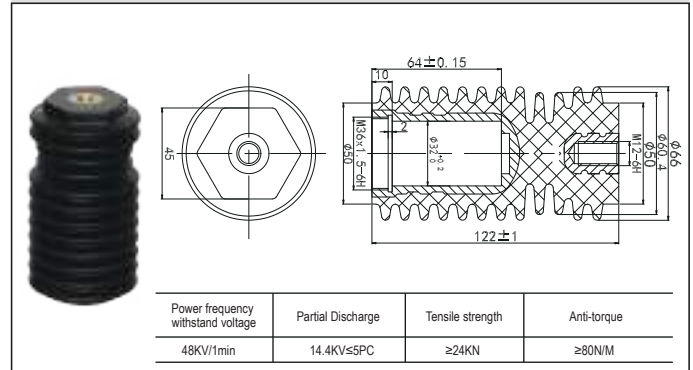
Model No.:LYC532 Name:12KV Insulated operating rod



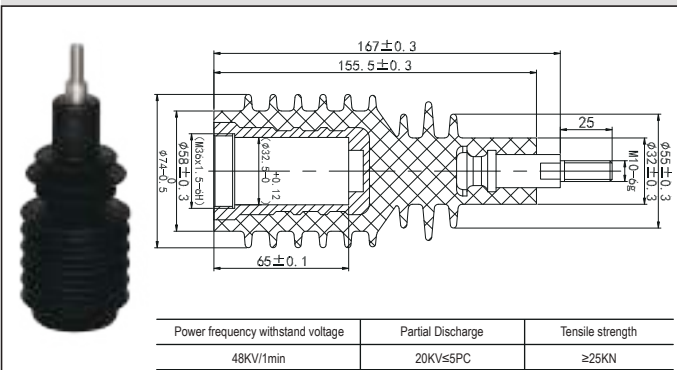
Model No.:LYC533 **Name:**12KV Insulated operating rod



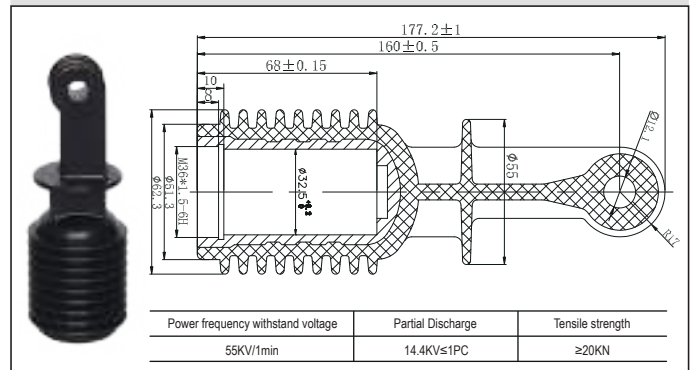
Model No.:LYC534 **Name:**12KV Insulated operating rod



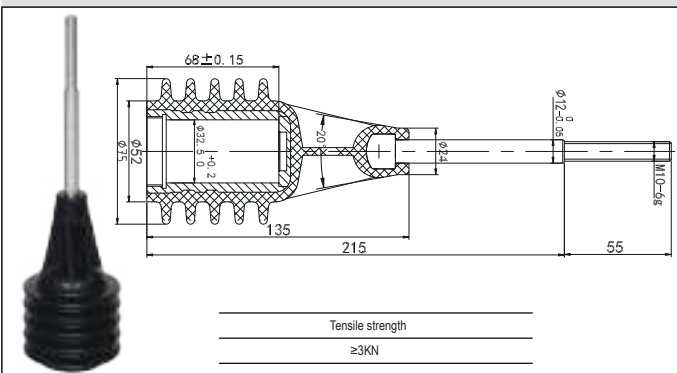
Model No.:LYC535 **Name:**12KV Insulated operating rod



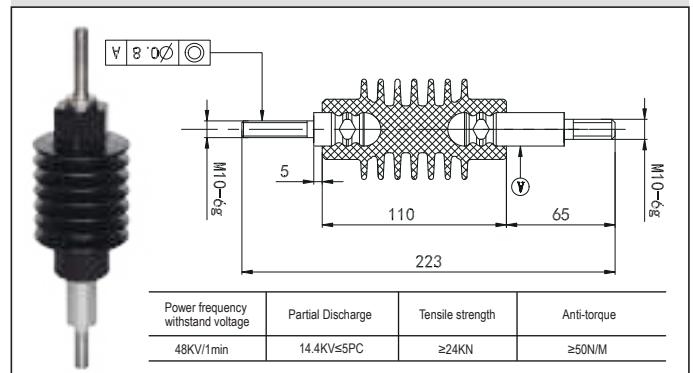
Model No.:LYC536 **Name:**12KV Insulated operating rod



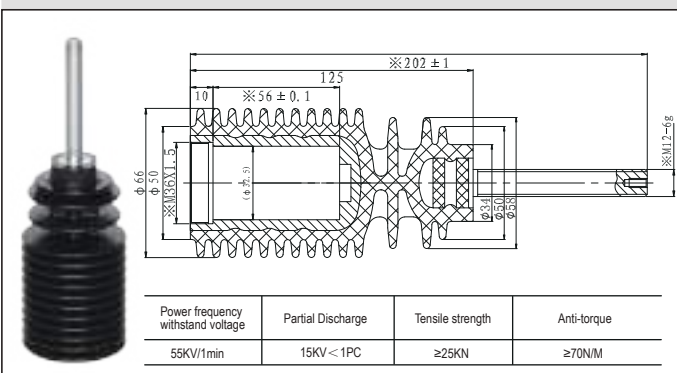
Model No.:LYC537 **Name:**12KV Insulated operating rod



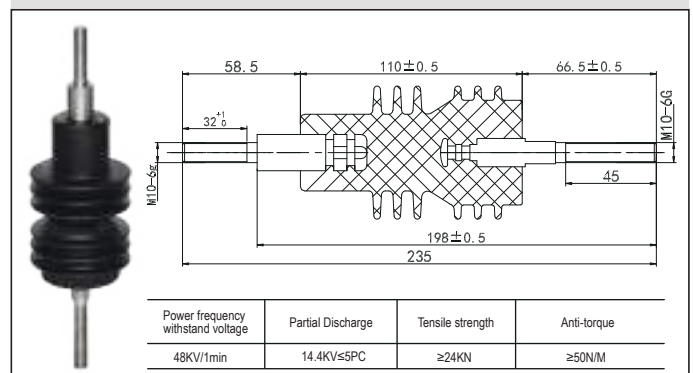
Model No.:LYC538 **Name:**12KV Insulated operating rod



Model No.:LYC539 **Name:**12KV Insulated operating rod

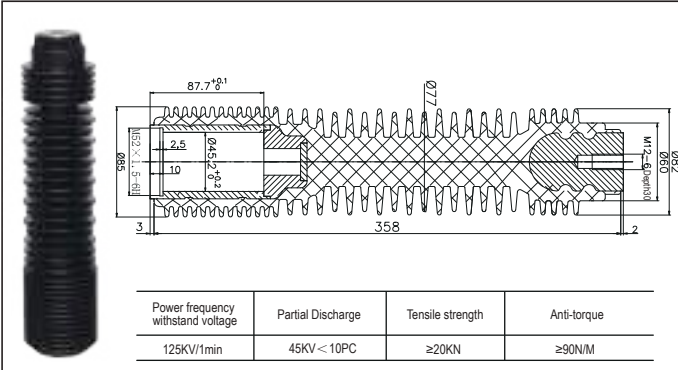


Model No.:LYC540 **Name:**12KV Insulated operating rod

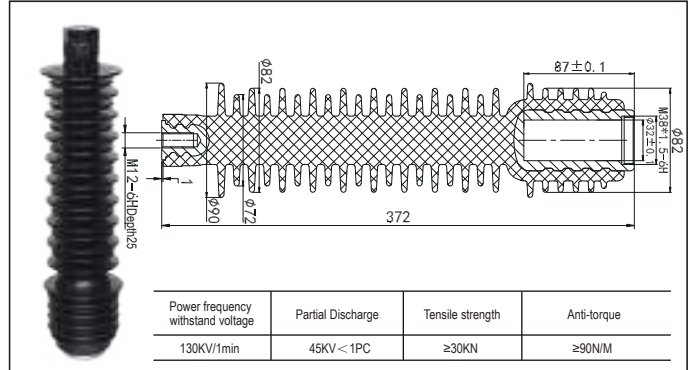


<p>Model No.:LYC541 Name:24KV Insulated operating rod</p> <table border="1"> <thead> <tr> <th>Power frequency withstand voltage</th> <th>Partial Discharge</th> <th>Tensile strength</th> <th>Anti-torque</th> </tr> </thead> <tbody> <tr> <td>70KV/1min</td> <td>26.5KV≤5PC</td> <td>≥20KN</td> <td>≥80NM</td> </tr> </tbody> </table>	Power frequency withstand voltage	Partial Discharge	Tensile strength	Anti-torque	70KV/1min	26.5KV≤5PC	≥20KN	≥80NM	<p>Model No.:LYC542 Name:24KV Insulated operating rod</p> <table border="1"> <thead> <tr> <th>Power frequency withstand voltage</th> <th>Partial Discharge</th> <th>Tensile strength</th> <th>Anti-torque</th> </tr> </thead> <tbody> <tr> <td>48KV/1min</td> <td>14.4KV≤5PC</td> <td>≥24KN</td> <td>≥80NM</td> </tr> </tbody> </table>	Power frequency withstand voltage	Partial Discharge	Tensile strength	Anti-torque	48KV/1min	14.4KV≤5PC	≥24KN	≥80NM
Power frequency withstand voltage	Partial Discharge	Tensile strength	Anti-torque														
70KV/1min	26.5KV≤5PC	≥20KN	≥80NM														
Power frequency withstand voltage	Partial Discharge	Tensile strength	Anti-torque														
48KV/1min	14.4KV≤5PC	≥24KN	≥80NM														
<p>Model No.:LYC543 Name:27.5KV Insulated operating rod</p> <table border="1"> <thead> <tr> <th>Power frequency withstand voltage</th> <th>Partial Discharge</th> <th>Tensile strength</th> </tr> </thead> <tbody> <tr> <td>79KV/1min</td> <td>33KV≤5PC</td> <td>≥20KN</td> </tr> </tbody> </table>	Power frequency withstand voltage	Partial Discharge	Tensile strength	79KV/1min	33KV≤5PC	≥20KN	<p>Model No.:LYC544 Name:36KV Insulated operating rod</p> <table border="1"> <thead> <tr> <th>Power frequency withstand voltage</th> <th>Partial Discharge</th> <th>Tensile strength</th> <th>Anti-torque</th> </tr> </thead> <tbody> <tr> <td>70KV/1min</td> <td>39KV≤5PC</td> <td>≥20KN</td> <td>≥50NM</td> </tr> </tbody> </table>	Power frequency withstand voltage	Partial Discharge	Tensile strength	Anti-torque	70KV/1min	39KV≤5PC	≥20KN	≥50NM		
Power frequency withstand voltage	Partial Discharge	Tensile strength															
79KV/1min	33KV≤5PC	≥20KN															
Power frequency withstand voltage	Partial Discharge	Tensile strength	Anti-torque														
70KV/1min	39KV≤5PC	≥20KN	≥50NM														
<p>Model No.:LYC545 Name:40.5KV Insulated operating rod</p> <table border="1"> <thead> <tr> <th>Power frequency withstand voltage</th> <th>Partial Discharge</th> <th>Tensile strength</th> </tr> </thead> <tbody> <tr> <td>79KV/1min</td> <td>33KV≤5PC</td> <td>≥20KN</td> </tr> </tbody> </table>	Power frequency withstand voltage	Partial Discharge	Tensile strength	79KV/1min	33KV≤5PC	≥20KN	<p>Model No.:LYC546 Name:40.5KV Insulated operating rod</p> <table border="1"> <thead> <tr> <th>Power frequency withstand voltage</th> <th>Partial Discharge</th> <th>Tensile strength</th> <th>Anti-torque</th> </tr> </thead> <tbody> <tr> <td>105KV/5min</td> <td>45KV≤5PC</td> <td>≥26KN</td> <td>≥80NM</td> </tr> </tbody> </table>	Power frequency withstand voltage	Partial Discharge	Tensile strength	Anti-torque	105KV/5min	45KV≤5PC	≥26KN	≥80NM		
Power frequency withstand voltage	Partial Discharge	Tensile strength															
79KV/1min	33KV≤5PC	≥20KN															
Power frequency withstand voltage	Partial Discharge	Tensile strength	Anti-torque														
105KV/5min	45KV≤5PC	≥26KN	≥80NM														
<p>Model No.:LYC547 Name:40.5KV Insulated operating rod</p> <table border="1"> <thead> <tr> <th>Power frequency withstand voltage</th> <th>Partial Discharge</th> <th>Tensile strength</th> <th>Anti-torque</th> </tr> </thead> <tbody> <tr> <td>120KV/1min</td> <td>45KV<5PC</td> <td>≥20KN</td> <td>≥80NM</td> </tr> </tbody> </table>	Power frequency withstand voltage	Partial Discharge	Tensile strength	Anti-torque	120KV/1min	45KV<5PC	≥20KN	≥80NM	<p>Model No.:LYC548 Name:40.5KV Insulated operating rod</p> <table border="1"> <thead> <tr> <th>Power frequency withstand voltage</th> <th>Partial Discharge</th> <th>Tensile strength</th> </tr> </thead> <tbody> <tr> <td>95KV/1min</td> <td>45KV≤5PC</td> <td>≥30KN</td> </tr> </tbody> </table>	Power frequency withstand voltage	Partial Discharge	Tensile strength	95KV/1min	45KV≤5PC	≥30KN		
Power frequency withstand voltage	Partial Discharge	Tensile strength	Anti-torque														
120KV/1min	45KV<5PC	≥20KN	≥80NM														
Power frequency withstand voltage	Partial Discharge	Tensile strength															
95KV/1min	45KV≤5PC	≥30KN															

Model No.:LYC549 Name:40.5KV Insulated operating rod

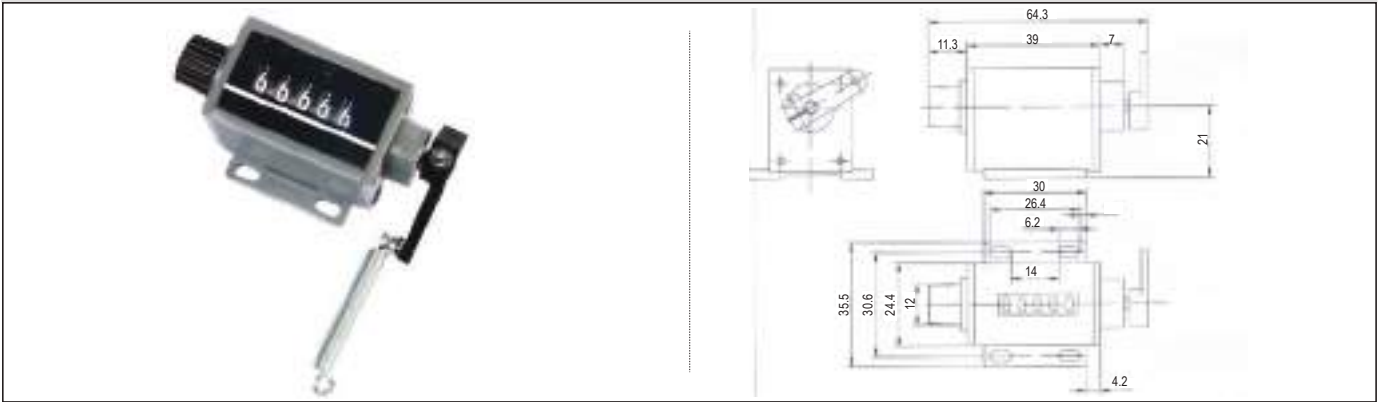


Model No.:LYC550 Name:40.5KV Insulated operating rod

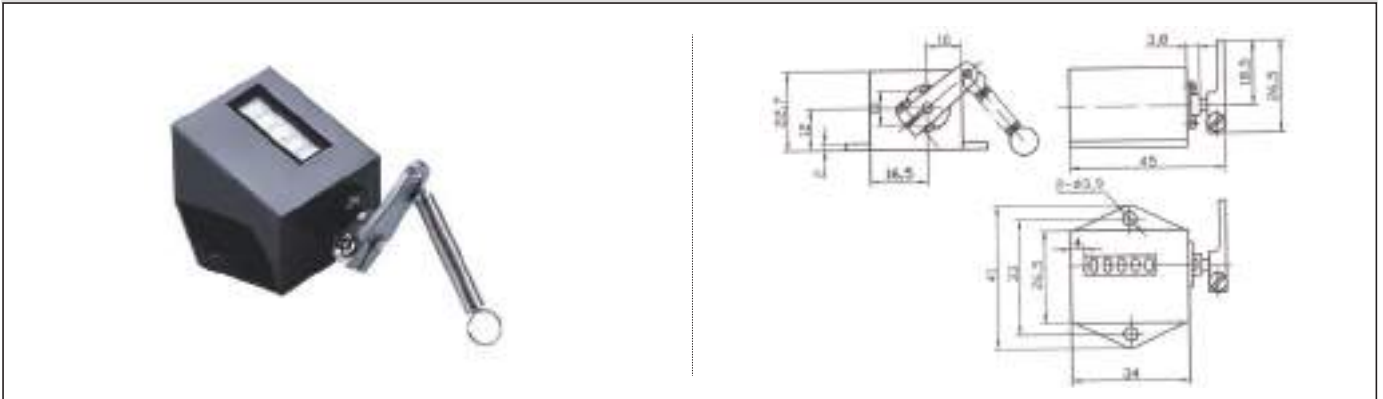


FIVE DIGITS COUNTER SERIES

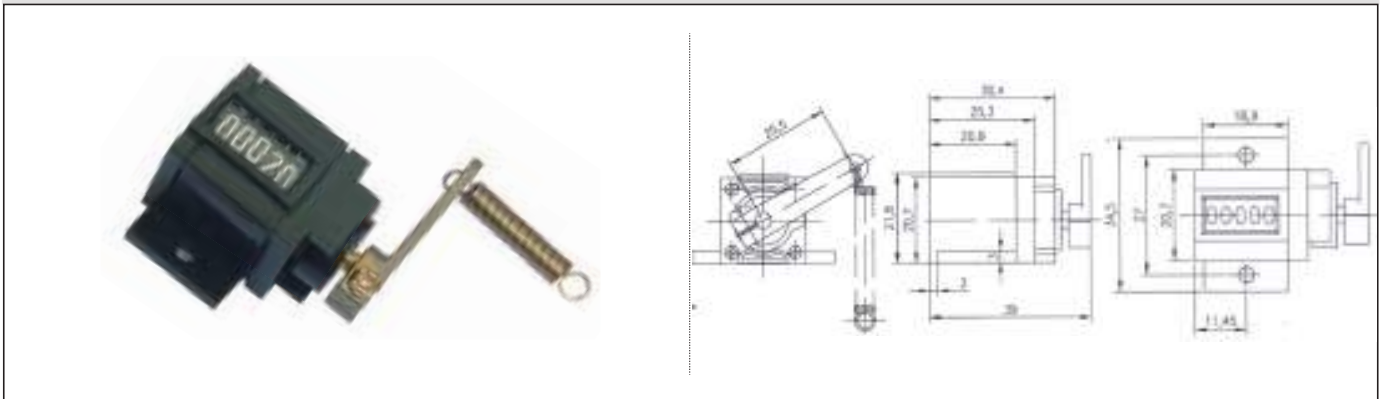
Model: LYC180 5 digits counter(reset type)



Model: LYC181 5 digits counter

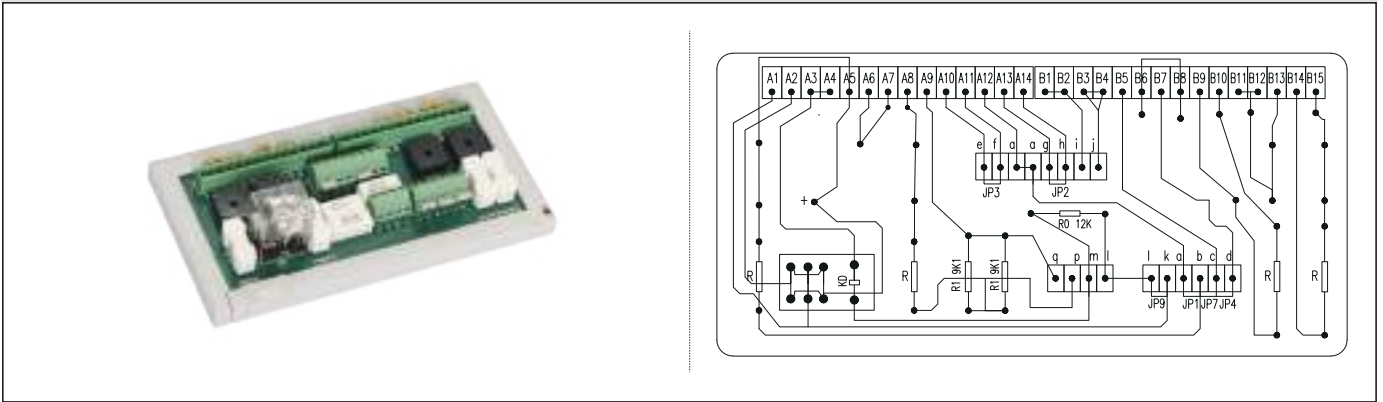


Model: LYC182 5 digits counter

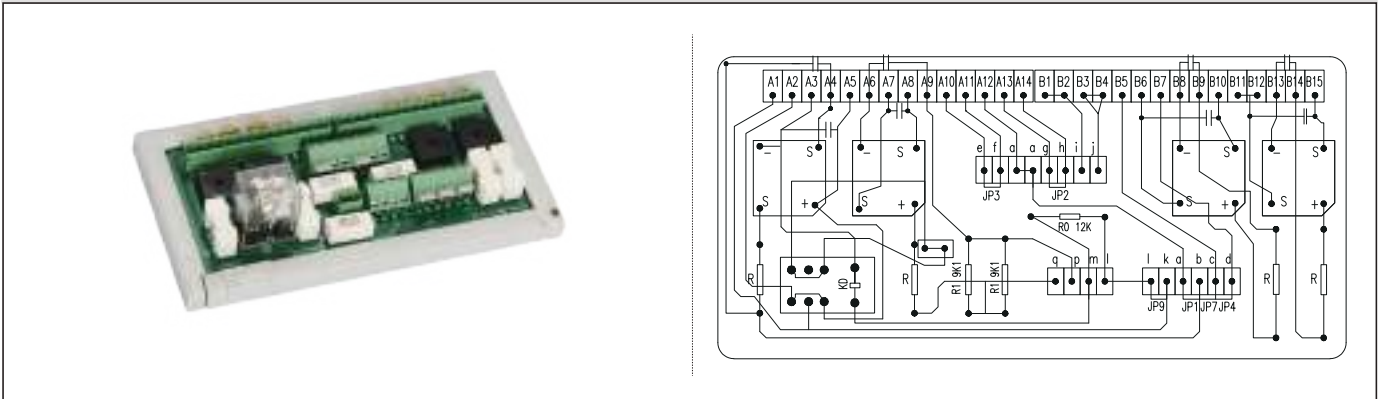


CIRCUIT BOARD SERIES

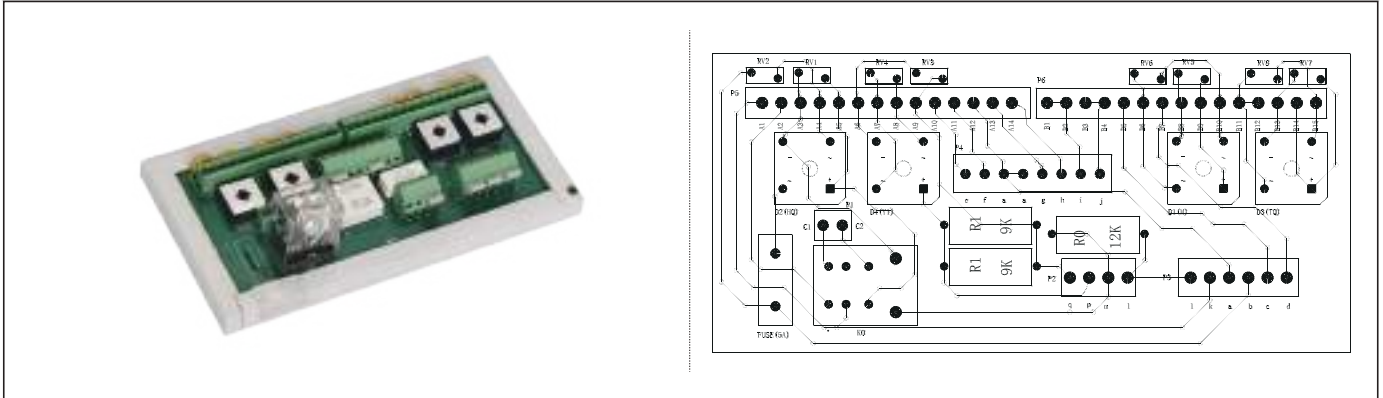
Name: VS1-AC Circuit board (Single panel)



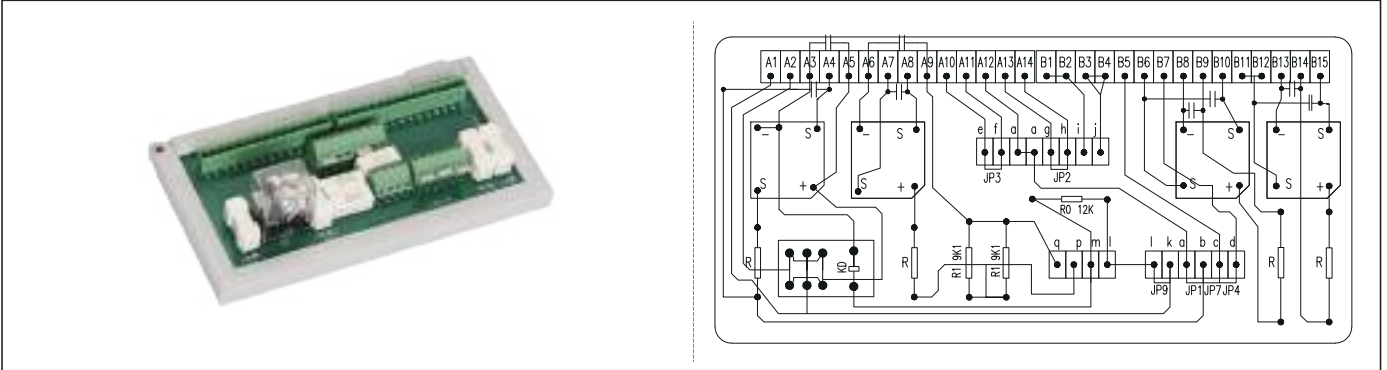
Name: VS1-AC Circuit board (Double panel) With one open and one close function



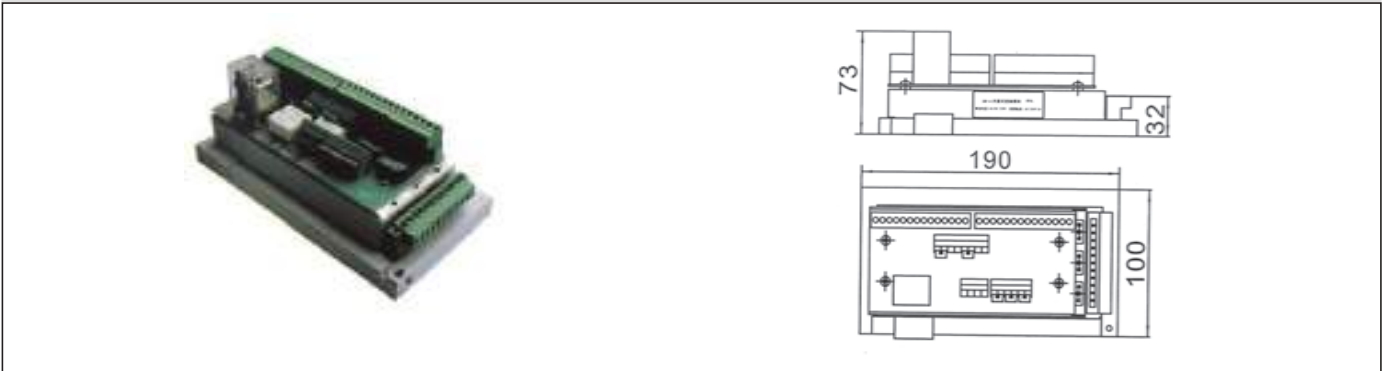
Name: VS1-AC Circuit board (Double panel)



Name: VS1-DC Circuit board (Single panel)




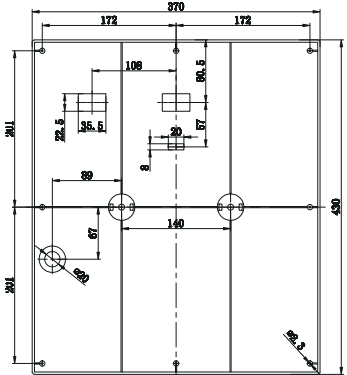

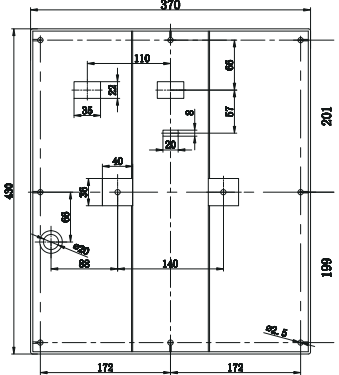

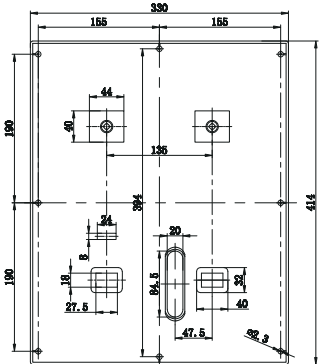

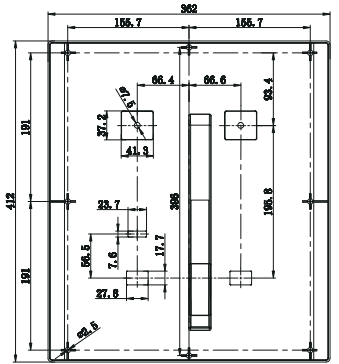

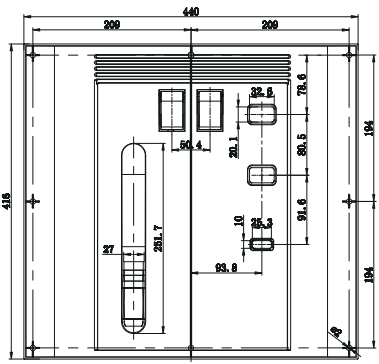
Name: Circuit board



Name: Circuit board



CIRCUIT BREAKER PANEL SERIES

<p>Name:VS1 Vacuum Circuit Breaker Panel</p> <p>Various colors available, please contact us</p>  	<p>Name:VS1 Vacuum Circuit Breaker Panel</p> <p>Various colors available, please contact us</p>  
<p>Name:VBI Vacuum Circuit Breaker Panel</p> <p>Various colors available, please contact us</p>  	<p>Name:VBI Vacuum Circuit Breaker Panel</p>  
<p>Name:VSG Vacuum Circuit Breaker Panel</p>  	

WIRE HARNESS MACHINING

Name: VS1 wiring harness



Name: VN3 wiring harness



Name: Chassis wire harness



SHOW PRODUCT

Earthing switch series



12KV EARTHING SWITCH SERIES

Model No.: LYE101 Name: JN15A-12/31.5 Indoor AC high voltage earthing switch



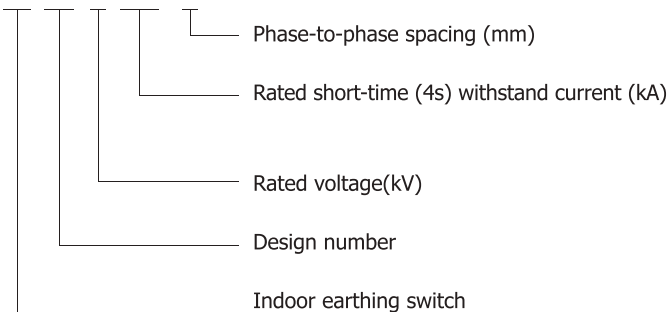
Summary:

JN15A-12/31.5 indoor AC high voltage earthing switch is an advanced level product with high-tech parameters performance. After comprehensive evaluation, it conforms to GB1985 and IEC62271 standard, applies to power system of 3-12kV and three-phase AC 50Hz. It owns short-circuit making capacity to protect other electric equipment not being damaged. Can be used with various high voltage switchgear, also play a protective role in the high-voltage electrical equipment overhaul.

Item		Unit	Data	
Rated voltage		kV	12	
Rated short-time withstand current		kA	31.5	
Rated short-circuit duration		s	4	
Rated short-circuit making current		kA	80	
Rated peak withstand current		kA	80	
Rated insulation level	PF withstand voltage (1 min)	kV	Phase to earth	42
	Lightning impulse withstand voltage		Phase to phase	75
Mechanical endurance		Time	2000	

Model and meaning:

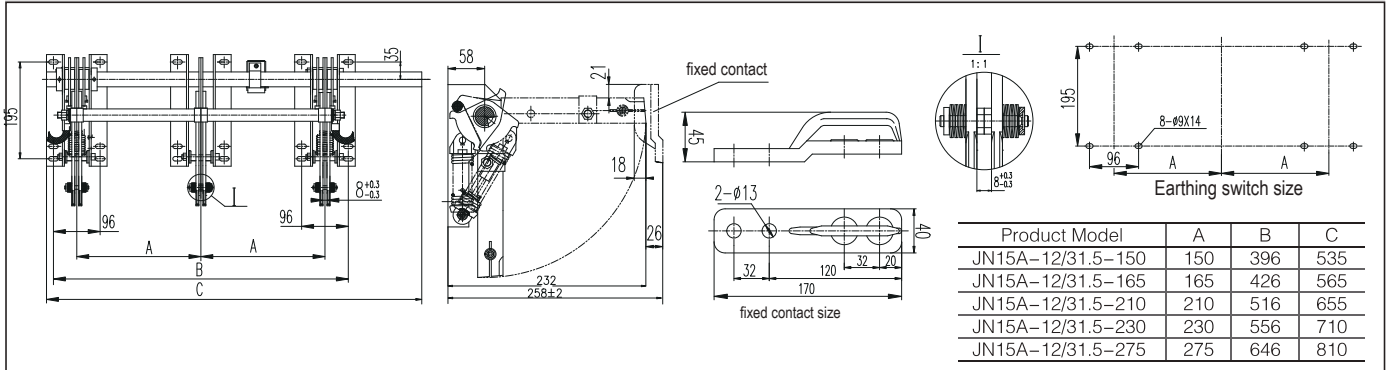
J N 15A-12 / 31.5 - □



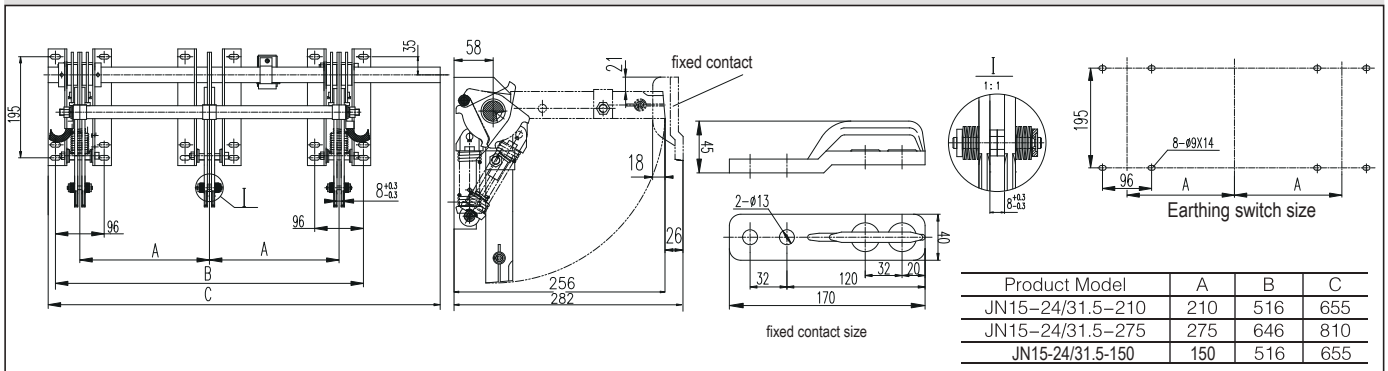
Ambient condition:

1. Altitude: ≤1000m
2. Ambient temperature: -10°C ~ +40°C
3. Earthquake intensity: ≤8 degree
4. Pollution level: II
5. Relative humidity: Daily average ≤95%, Monthly average ≤90%

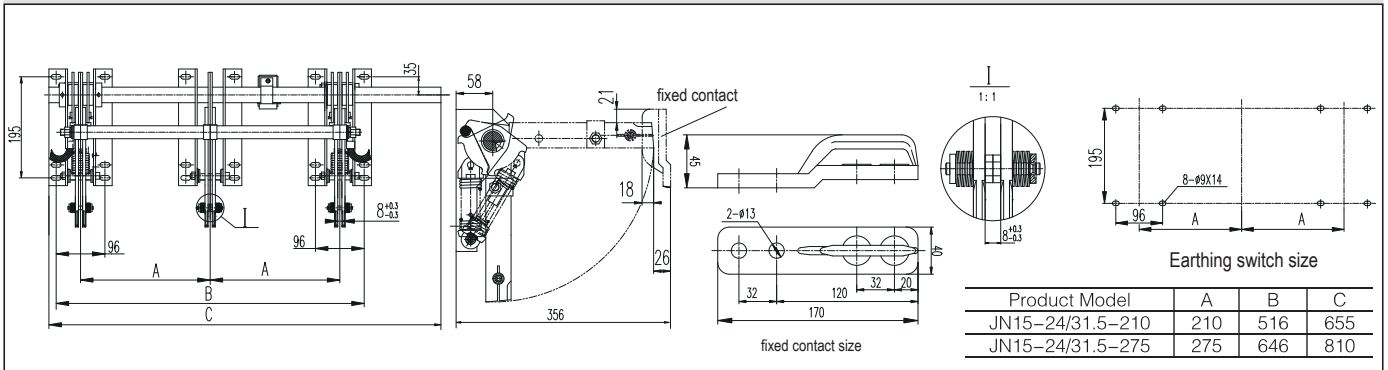
Model No.: LYE101 Name: JN15A-12/31.5 Indoor AC high voltage earthing switch



Model No.: LYE101.1 Name: JN15A-24/31.5 Indoor AC high voltage earthing switch (H=282)

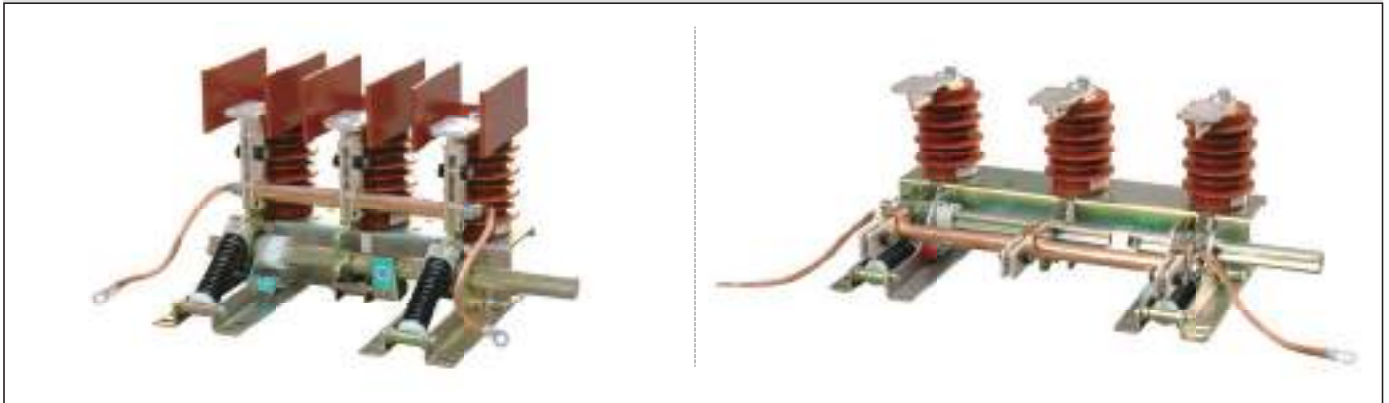


Model No.: LYE101.2 Name: JN15A-24/31.5 Indoor AC high voltage earthing switch (H=356)



12KV EARTHING SWITCH SERIES

Product No.:LYE102 Name:JN15-12/31.5 Indoor AC high voltage earthing switch



Summary:

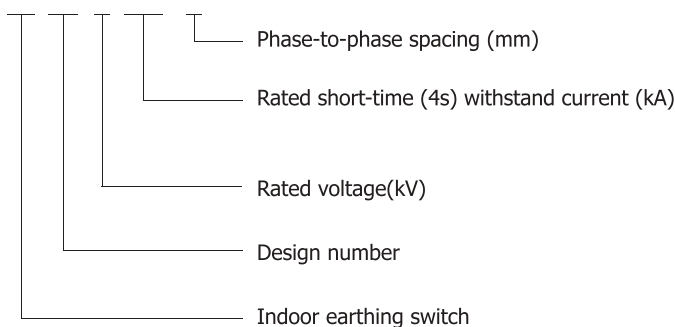
JN15-12/31.5 indoor AC high voltage earthing switch is an advanced level product with high-tech parameters performance improved on the basis of ES1 earthing switch. After comprehensive evaluation, it conforms to GB1985 AC HV disconnect switch and earthing switch and IEC129, applies to power system of 3-12kV and three-phase AC 50(60)Hz. It owns short-circuit making capacity to protect other electric equipment not being damaged. Can be used with various high voltage switchgear, also play a protective role in the high-voltage electrical equipment overhaul.

Technical Parameter:

Item		Unit	Data	
Rated voltage		kV	12	
Rated short-time withstand current		kA	31.5	
Rated short-circuit duration		s	4	
Rated short-circuit making current		kA	80	
Rated peak withstand current		kA	80	
Rated insulation level	PF withstand voltage (1 min)	kV	Phase to earth	42
	Lightning impulse withstand voltage		Phase to phase	75
Mechanical endurance		Time	2000	

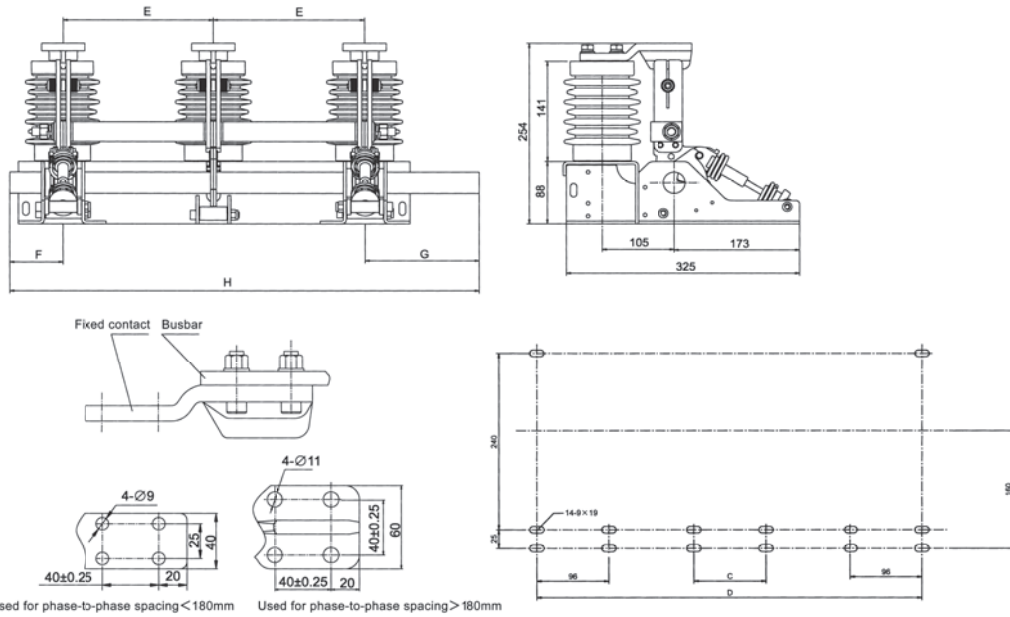
Model and meaning:

J N 15 -12 / 31.5 - □



Ambient condition:

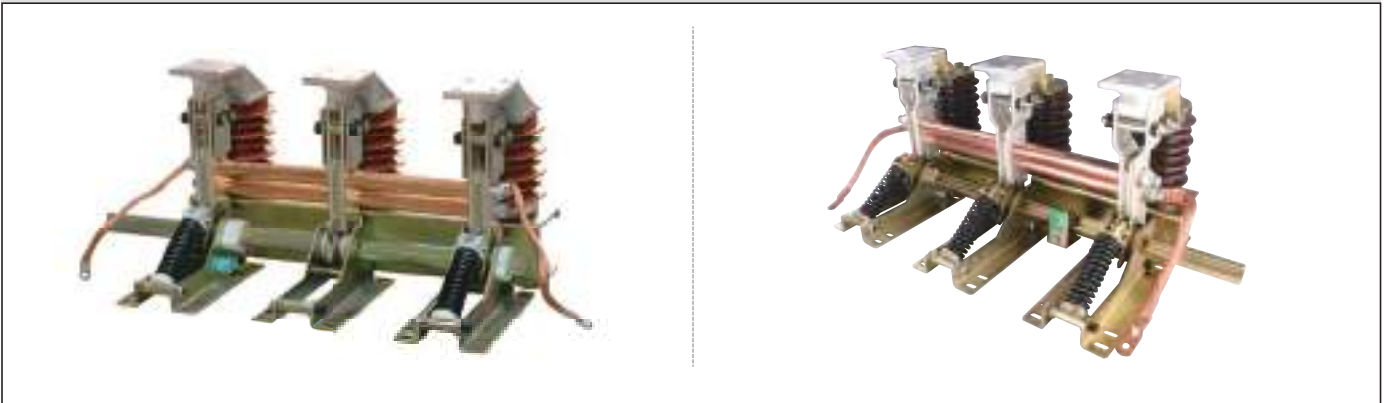
1. Altitude: ≤1000m
2. Ambient temperature: -10°C ~ +40°C
3. Earthquake intensity: ≤8 degree
4. Pollution level: II
5. Relative humidity: Daily average ≤95%, Monthly average ≤90%



Product Model	E	F	G	H	D	C
JN15-12/31.5-165	165	75	160	565	426	
JN15-12/31.5-180	180	75	160	595	456	
JN15-12/31.5-200	200	75	160	635	496	
JN15-12/31.5-210	210	75	160	655	516	
JN15-12/31.5-220	220	75	160	675	536	
JN15-12/31.5-230	230	75	160	695	556	96
JN15-12/31.5-250	250	75	160	735	596	96
JN15-12/31.5-275	275	75	185	810	646	96

12KV EARTHING SWITCH SERIES

Product No.:LYE103 Name:JN17-12/40 Indoor AC high voltage earthing switch



Summary:

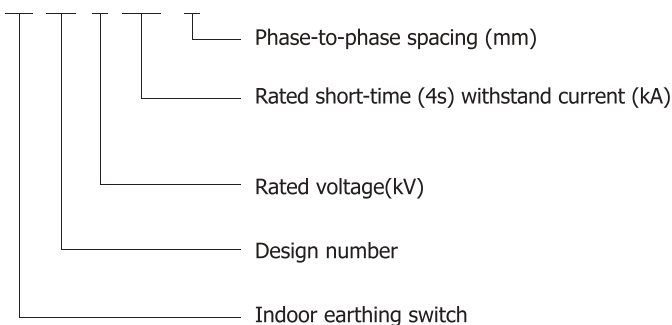
JN17-12/40 indoor AC high voltage earthing switch is an advanced level product with high-tech parameters performance. After comprehensive evaluation, it conforms to GB1985 and IEC129 standard, applies to power system of 3-12kV and three-phase AC 50Hz. It owns short-circuit making capacity to protect other electric equipment not being damaged. Can be used with various high voltage switchgear, also play a protective role in the high-voltage electrical equipment overhaul.

Technical Parameter:

Item	Unit	Data		
Rated voltage	kV	12		
Rated short-time withstand current	kA	40		
Rated short-circuit duration	s	4		
Rated short-circuit making current	kA	80		
Rated peak withstand current	kA	80		
Rated insulation level	PF withstand voltage (1 min)	kV	Phase to earth	42
	Lightning impulse withstand voltage		Phase to phase	75
Mechanical endurance	Time	2000		

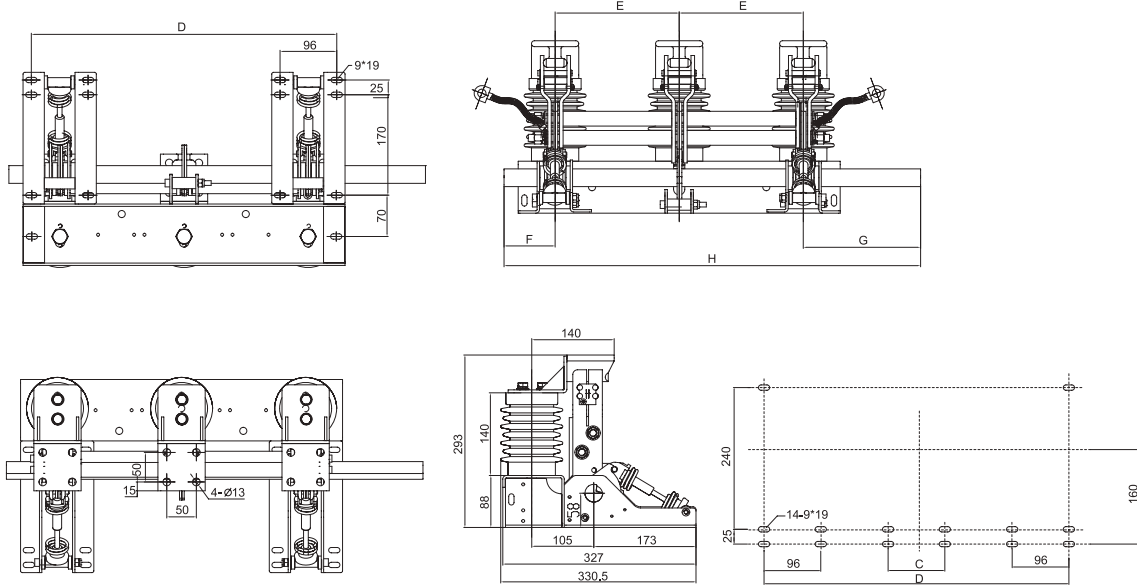
Model and meaning:

J N 17 -12 / 40 - □



Ambient condition:

1. Altitude: ≤1000m
2. Ambient temperature: -10°C ~ +40°C
3. Earthquake intensity: ≤8 degree
4. Pollution level: II
5. Relative humidity: Daily average ≤95%, Monthly average ≤90%

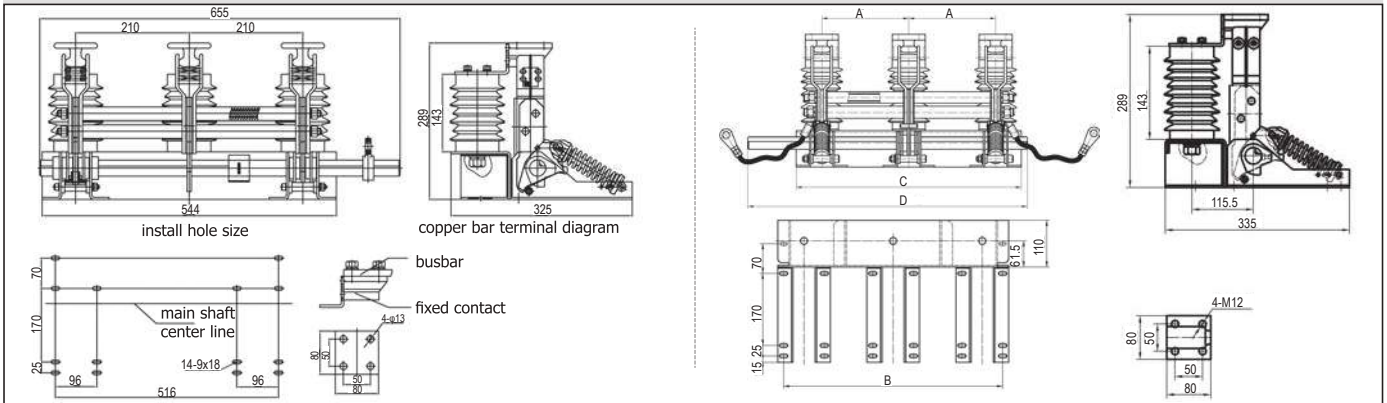


Product Model	E	F	G	H	D
JN17-12/40-210	210	50	185	655	516
JN17-12/40-220	220	50	185	675	536
JN17-12/40-230	230	50	185	695	556
JN17-12/40-250	250	50	185	735	596
JN17-12/40-275	275	50	210	810	646

12KV EARTHING SWITCH SERIES



Product No.:LYE107 Name:JN15-12/50



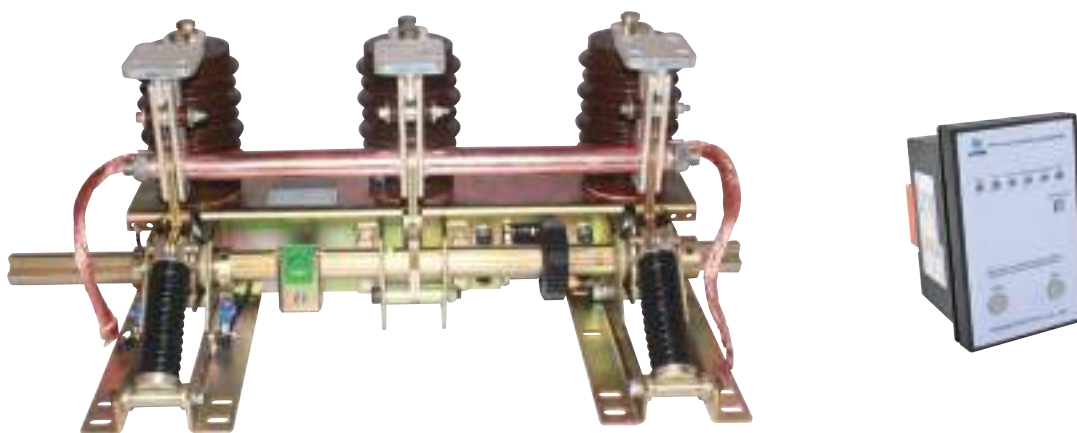
Technical requirement:

A	210	230	250	275
B	516	556	596	646
C	544	584	624	647
D	655	695	735	810

1. Three phase rigid position's different period not more than 3mm.
2. The position of each phase skew not more than 2mm.
3. Insulation Monitori ,Power Frequency Voltage-Withstand 42kv/min
4. Each measurement of Contact Resistance not more than 60μΩ

Item	Unit	Data		
Rated voltage	kV	12		
Rated short-time withstand current	kA	50		
Rated short-circuit duration	s	4		
Rated short-circuit making current	kA	80		
Rated peak withstand current	kA	80		
Rated insulation level	PF withstand voltage (1 min)	kV	Phase to earth	42
	Lightning impulse withstand voltage		Phase to phase	75
Classification of mechanical life		M1		
Mechanical endurance		Time	2000	

12/24KV EARTHING SWITCH (MOTORIZED TYPE)



Summary:

Our company developed the motor-operated mechanism is an advanced Intelligent operation mechanism. Connecting JN15 earth switch with short-circuit capacity and fast closing mechanism compatible, capable of photosynthesis test electrical earth switch under the operating conditions, with reliable "five anti" chain

It is Meet with demand for smart grid development, To use the earth switch, It is of significance and value to apply the earth switch.

Main features:

1. Simple installation, with a combination of the main earthing switch, without changing the original install structure of earthing switch.
2. It can be achieved freely switch for manually operated and electrically operated.
3. It is safe and reliable, attempts to prevent the conversion function can be realized on control and protection for the motor.

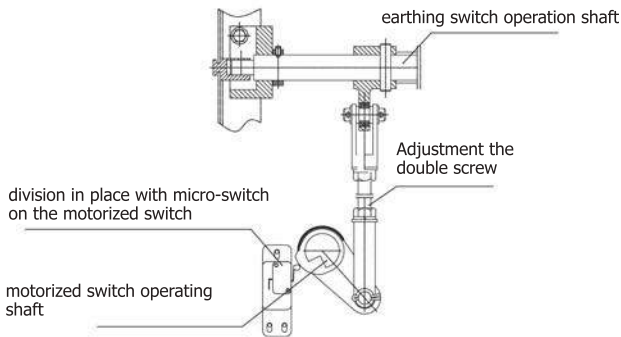
Debug method:

After JN15-12/D31.5 electrical grounding switch is installed, according to the following steps for debugging:

1. Read the specification of REC-10-HB switchgear electric control device. According to the wiring terminal diagram of REC-10-HB switchgear electric control device sample, connect electric earthing switch wiring terminal in accordance with the electrical diagram terminal number.
2. Motor earthing switch terminal is pluggable terminal block. When complete connection, before testing power-on, user should pull out terminal, hang measured terminal 1, 2 foot motor power. During press the switch knob of electric control device, need insure 1 foot is positive power (VDD), 2 foot is negative power (GND). If wiring is correct, then plug termina
3. By test, observing whether the indicator light function of ERC-10-HB switchgear electric control device is correct. If not correct, please check the correctness of terminal and in place of signal source of switch opening, closing is correct or not.
4. Manual operate earthing switch opening-closing, observing whether the display of electric control device is correct. If correct, can debug by motor operation.
5. Special note of motor operation test: switchgear electric control device send intruction of earthing switch opening or closing. If the operating conditions are met, then will perform earthing switch opening or closing operation, observing whether the mechanism rotation direction is correct. If mechanism rotation direction is opposite, user should immediately turn off the power or press the scram button on device to stop the current operation, try again after changing moter positive and negative terminals. If the operating conditions are not met, (such as the interlocking signal of control device 11 foot is not correct), control device will not work properly, the user should settle accordingly to meet the operating conditions and try again.
6. The switch off motion and the signal of the opening and closing reaching of the electric earthing switch are subject to the connect between operating shaft cam arrangement and microswitch. When electric earthing switch is connected with cabinet interlock, we should offer electric control device power supply, Combining with the control device opening and closing indicator light, manually adjust the opening and closing reaching of earthing switch (note: When the spring of earthing switch is just over dead point, the operating handle should seize up immediately.), observe whether the control device opening and closing indicator light can synchronously indicate or not. Otherwise, we should adjust the upper and lower position of twin thread screw in the interlock to make them synchronic. If interlock position error is too big to reach synchronic, we should make a fine adjustment in position between microswitch and cam, and then observe control device just to make the corresponding indicator light light.

12/24KV EARTHING SWITCH (MOTORIZED TYPE)

attached drawing:

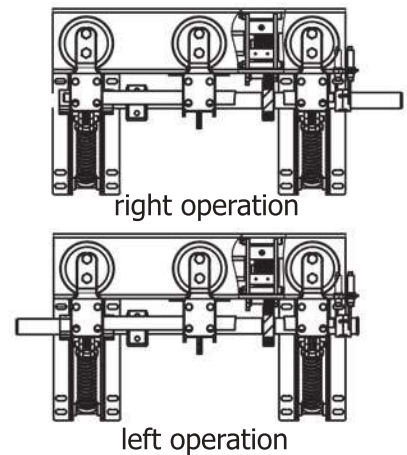


Applying Ambient condition :

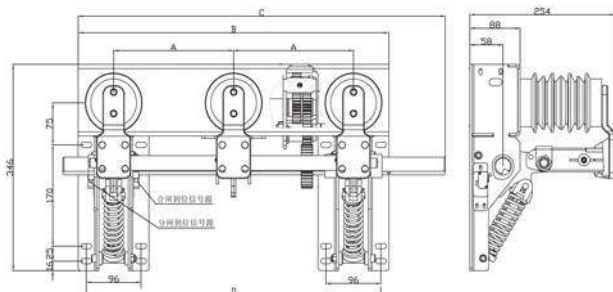
1. The height above sea level is not exceed 1000m
2. Ambient temperature :+40%,-25%
3. Earthquake intensity :not exceed 8 degrees
4. Ambient humidity :the average humidity of a day should be no more than 95%, the average pressure of month should be not more than 90%.
5. Contamination level: II

Order Information:

1. When order electrical earthing switch,shall specify whether need extended length flexible connection.
2. Whether need for auxiliary switches, auxiliary switch whether need to lead to terminals.
3. Please note that operation way of switch is arm drive or bevel gear drive.(match with chain parts)
4. Mark left or right operating direction of motor earth switch.Our company stipulate that left operating or right operation as follows.
5. The electrical devices have three options:
 (1)ERC-10-HB-A1 is installed on the board of instrument room, is a conventional ancillary products.
 (2)ERC-10-HB-A2 is installed in the door board of instrument room, with RS485 communication interface, is optional part.
 (3)EPC-20-HB-A1 is installed on the guide rail in instrument room, is optional part.



JN15-12/D31.5 Motorized earthing switch Outline and installation size



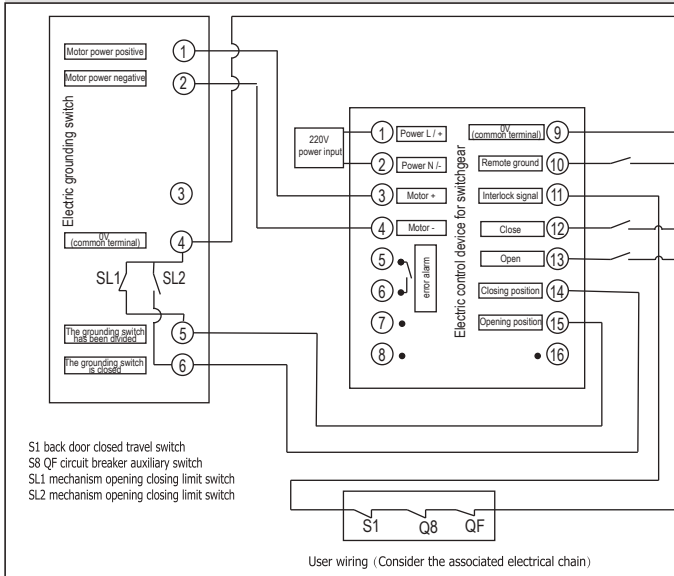
Terminal diagram

Terminal No	1	Motor power anode
	2	Motor power cathode
	3	Ov (common)
	4	Earthing switch opened
	5	Earthing switch closed

Assort table

A	B	C	D
210	544	655	516
275	674	785	646

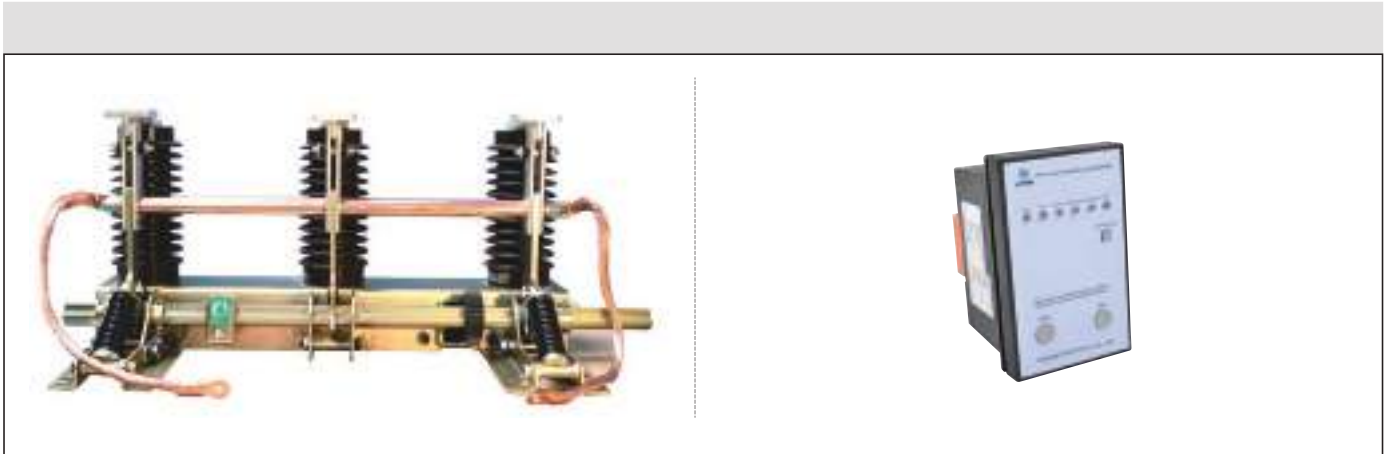
Control circuit and wiring of motorized earthing switch



Wiring instructions of motorized earthing switch

1. When switch equipment motorized control device terminal No. 3 and No. 4 corresponds to terminal No. 1 positive and No. 2 cathode, be careful not to reverse the polarity of the power supply to avoid damage to the motor. Through the debugging to observe whether the rotates direction of earthing switch operating shaft gear met the switch's opening, closing state, otherwise swap the positive and negative.
2. If operate motorized earthing switch separately(not loading), switch equipment motorized control device terminal No. 11 and No. 10(0V common terminal) short.

CONTROLLER: ERC-10-HB-A1 INSTRUCTIONS OF EARTHING SWITCH (MOTORIZED TYPE)

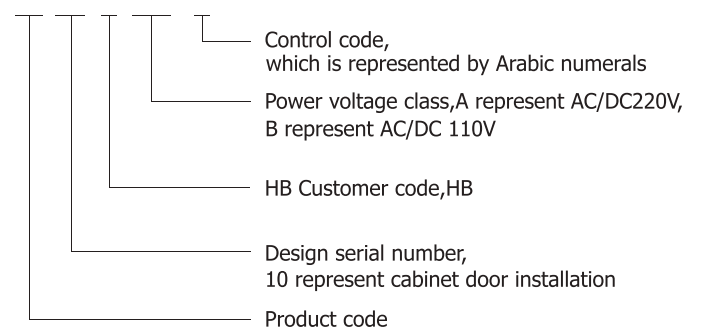


Summary:

ERC-10-HB-A1 switchgear pneumatic-electrical control device can realize control and protection of electric mechanism. The controller can brake motor, and reverse drive motor to remove the stuffy vehicle locked status when electric mechanism blocked in driving motor work, such as install is not in place or jam.

Model and meaning:

ERC - □ - □ - □ - □



Technical parameter6:

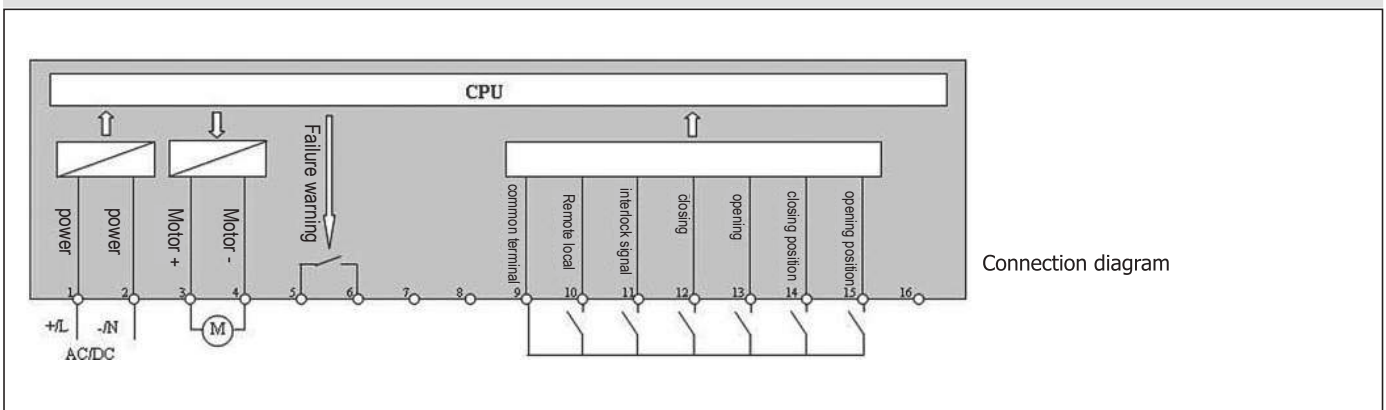
1. Supply voltage: AC/DC 220V, AC/DC 110V
2. Motor rated voltage: DC220V, DC110V
3. Max. motor rated power: Max. 300W
4. Power consumption: < 2W
5. Power frequency withstand voltage: AC2.5KV 1min
6. Output contact: 1NO, 5A, AC 250V
7. Protection level: IP20
8. Ambient temperature: -20 °C to +50°C
9. Dimension: Outline dimension Height* Width*Length=125*78*69
10. Installation method: Cabinet door installation

Instructions:

Button	Switch On	The controller allows operation, then push the button: 1. System is in standby mode, it will start the motor to the on-position. 2. System is in starting the motor to the on-position, it is not responding to the command.
	Switch Off	The controller allows operation, then push the button: 1. System is in standby mode, it will start the motor to the on-position. 2. System is in starting the motor to the on-position, it is not responding to the command
	Reset/E-stop	When controller is in protected and locked status, the red protected indicator light of the panel light up, push the button, system return to standby state. If push the button when system is in starting the motor to the on-position or off-position, it will brake motor and return to standby state immediately.
Indicator Light	Power	Power indicate function. power-on, light up, green; power-off ,blank out.
	Ready	Ready indicate function, green. Light up when ready, and blank out when unready.
	Remote	Remote operate indicate function, red. It's in remote operation mode when light up, and blank out when unready.
	On-position	Light up when electric mechanism is in on-position, red
	Off-position	Light up when electric mechanism is in off-position, red
	Accident	Light up when system is in protected and locked status, red; and blank out when reset.

1	Power+(L)	The controller power supply the positive or L
2	Power-(N)	The controller power supply the cathode or N
3	Motor+	The controller drive signal to output, connect drive motor "+"
4	Motor-	The controller drive signal to output, connect drive motor "-"
5、6	Failure warning	Normally open contacts. Open when no block and rotate.Close when block and rotate.
7、8	obligate	
9	Public terminal	Switch input signal common terminal
10	Remote / local	Short circuit when switch input to common terminal,it will be remote operation mode.Open when switch input to common terminal,it will be remote operation mode.
11	Interlock signal	Valid when switch input to public terminal is short circuit
12	Remote switch on	Valid when switch input to public terminal is short circuit
13	Remote switch off	Valid when switch input to public terminal is short circuit
14	Closing position	Valid when switch input to public terminal is short circuit
15	Opening position	Valid when switch input to public terminal is short circuit
16	obligate	

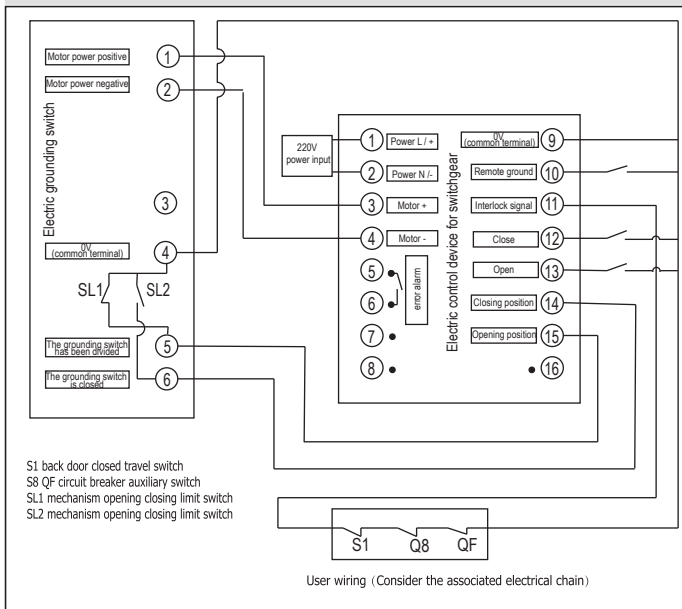
Terminal :



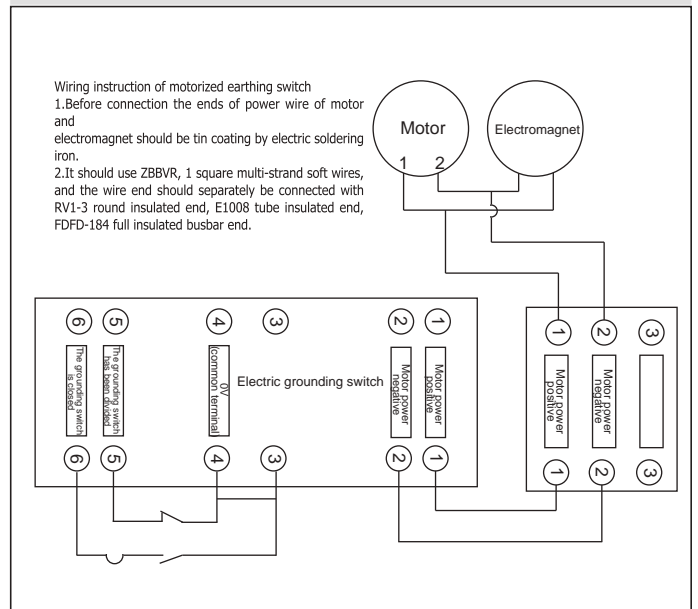
Control logic:

1. The on- off switch operation can only be allowed when the interlocking signal is working.
2. In the process of on-off switch operation, the controller shall still execute the original operation when input the on-off order.
3. In the process of on-off switch operation, the controller shall stop working when press the Reset/sudden stop button, or the interlocking signal is inoperative.
4. The controller shall delay 0.3s, stop 1s, then reverse 0.3s when electric mechanism is up to on position. If the controller has not reversed 0.3s for power failure when the mechanism reaches on position, it should reverse 0.3s again when power is normal. (It can only be operated when the earth switch is in on position)
5. When it is locked-rotor protected, the controller shall reversed 1.5s after stop operation. The setting value for locked-rotor current is tentatively 1.8A.
6. The operation is forbid within 4s upon the completion of on-off switch (including 1s reverse time).

Control circuit and wiring of motorized earthing switch



Internal wiring diagram of motorized earthing switch Motor



24KV EARTHING SWITCH SERIES

Product No.: LYE104 Name: JN15-24/31.5 Indoor AC high voltage earthing switch



Summary:

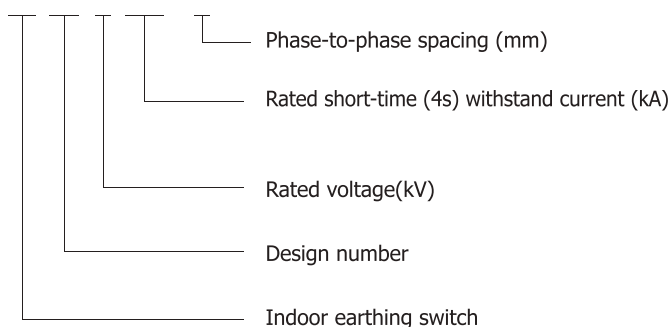
JN15-24/31.5 indoor AC high voltage earthing switch is an advanced level product with high-tech parameters performance. After comprehensive evaluation, it conforms to GB1985 and IEC62271 standard, applies to power system of 24kV and three-phase AC 50Hz. It owns short-circuit making capacity to protect other electric equipment not being damaged. Can be used with various high voltage switchgear, also play a protective role in the high-voltage electrical equipment overhaul.

Technical Parameter:

Item	Unit	Data		
Rated voltage	kV	24		
Rated short-time withstand current	kA	31.5		
Rated short-circuit duration	s	4		
Rated short-circuit making current	kA	80		
Rated peak withstand current	kA	80		
Rated insulation level	PF withstand voltage (1 min)	kV	Phase to earth	65
	Lightning impulse withstand voltage		Phase to phase	125
Mechanical endurance	Time	2000		

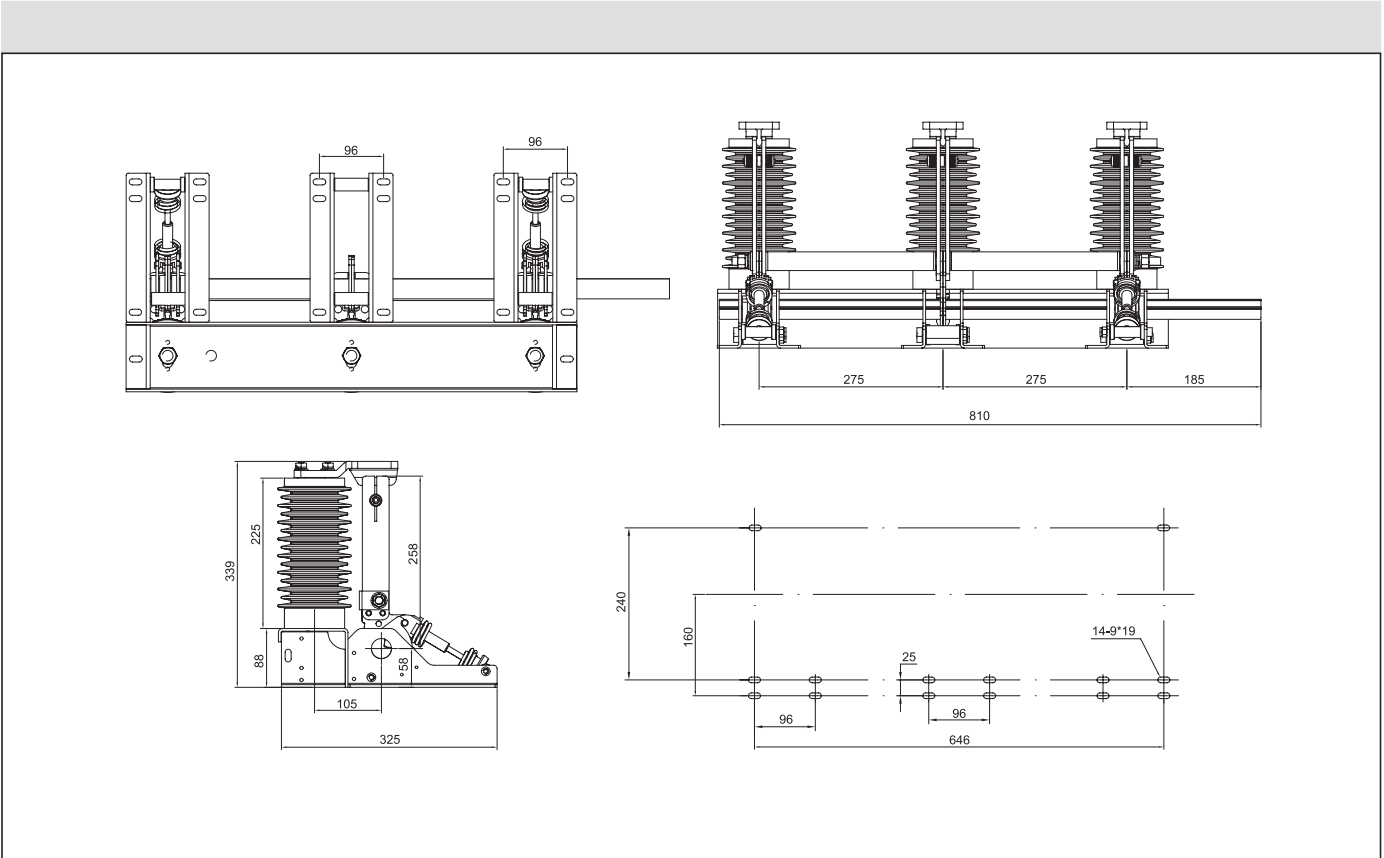
Model and meaning:

J N 15 -24 / 31.5 - □



Ambient condition:

1. Altitude: ≤1000m
2. Ambient temperature: -10°C ~ +40°C
3. Earthquake intensity: ≤8 degree
4. Pollution level: II
5. Relative humidity: Daily average ≤95%, Monthly average ≤90%



Product No.:LYE105 Name:JJN15-24/D31.5 motor type earthing switch

Main drawing

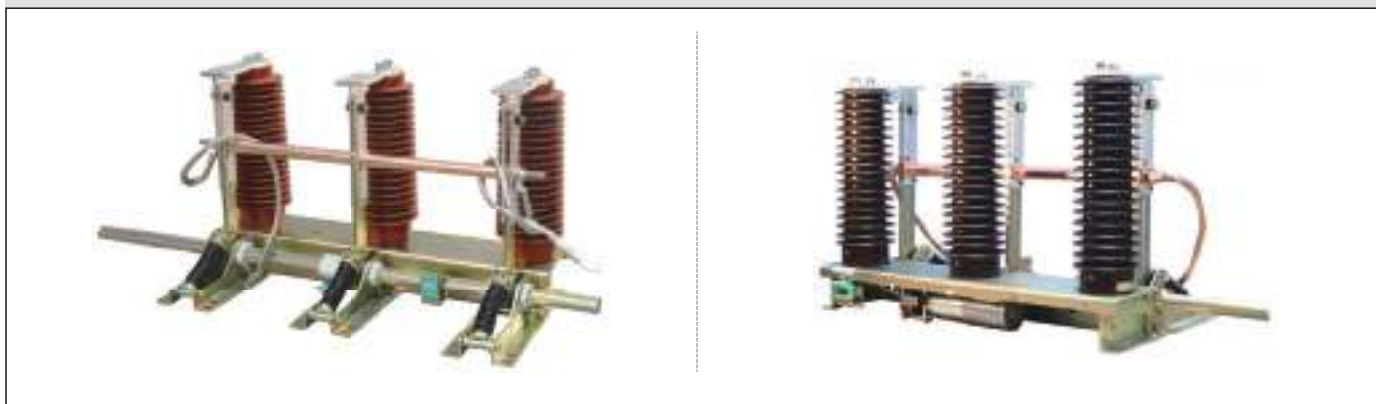
Base mounting hole position drawing

Product Model	F	G	D	H
JN15-24/D31.5-210	210	160	655	516
JN15-24/D31.5-275	275	185	810	646

ITEM		UNIT	DATA	
Rated voltage		kV	24	
Rated short-time withstand current		kA	31.5	
Rated short circuit duration		s	4	
Rated short-circuit making current		kA	80	
Rated peak withstand current		kA	80	
Rated insulation level	power frequency withstand voltage (1 min)	kV	Pole to earth and phase to phase	65
	lightning impulse withstand voltage (BIL)			125
mechanical life		times	2000	

40.5KV EARTHING SWITCH SERIES

Product No.:LYE105 Name:JN22B-40.5/31.5 Indoor AC high voltage earthing switch



Summary:

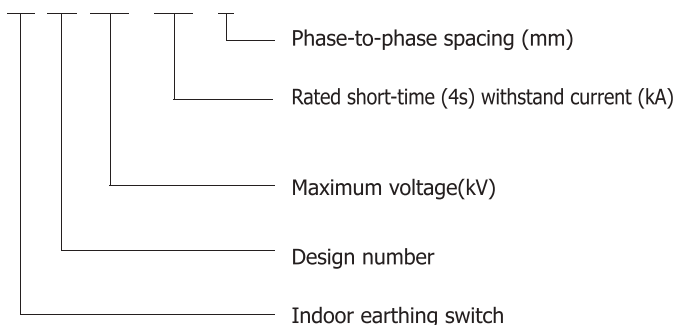
JN22B-40.5/31.5 indoor AC high voltage earthing switch is an advanced level product with high-tech parameters performance improved on the basis of JN22-40.5/31.5. After comprehensive evaluation, it conforms to GB1985 AC HV disconnect switch and earthing switch and IEC62271-102:2002, applies to power system of 40.5kV and AC 50Hz. Can be used with KYN61-40.5 and other types high voltage switchgear, also play a protective role in the high-voltage electrical equipment overhaul.

Technical Parameter:

Item	Unit	Data		
Rated voltage	kV	35		
Maximum voltage	kV	40.5		
Rated short-time withstand current	kA	31.5		
Rated short-circuit duration	s	4		
Rated short-circuit making current	kA	80		
Rated peak withstand current	kA	80		
Phases center distance	mm	280,300,350,400		
Rated insulation level	PF withstand voltage (1 min)	kV	Phase to earth	95
	Lightning impulse withstand voltage		Phase to phase	185

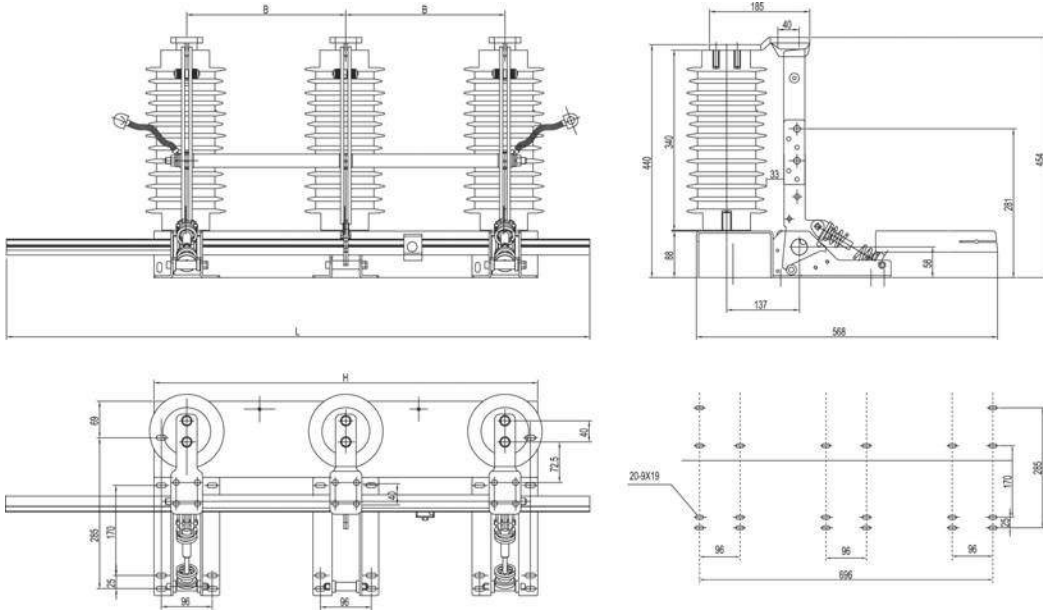
Model and meaning:

J N 22B-40.5 / 31.5 - □



Ambient condition:

1. Altitude: $\leq 1000\text{m}$
2. Ambient temperature: $-10^{\circ}\text{C} \sim +40^{\circ}\text{C}$
3. Earthquake intensity: ≤ 8 degree
4. No flood, no explosion risk, no heavy dust and shake.



B	H	L
280	750	1180
300	790	1180
350	890	1280
400	990	1374

40.5KV EARTHING SWITCH SERIES

Product No.: LYE106 Name: JN22-40.5/31.5 Indoor AC high voltage earthing switch



Summary:

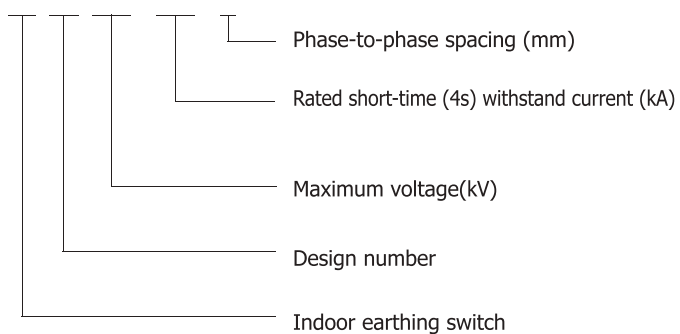
JN22-40.5/31.5 indoor AC high voltage earthing switch is an advanced level product with high-tech parameters performance. After comprehensive evaluation, it conforms to GB1985 AC HV disconnect switch and earthing switch, applies to power system of 40.5kV and AC 50Hz. Can be used with KYN61-40.5 and other types high voltage switchgear, also play a protective role in the high-voltage electrical equipment overhaul.

Technical Parameter:

Item	Unit	Data		
Rated voltage	kV	35		
Maximum voltage	kV	40.5		
Rated short-time withstand current	kA	31.5		
Rated short-circuit duration	s	4		
Rated short-circuit making current	kA	80		
Rated peak withstand current	kA	80		
Phases center distance	mm	280,300,350,400		
Rated insulation level	PF withstand voltage (1 min)	kV	Phase to earth	95
	Lightning impulse withstand voltage		Phase to phase	185

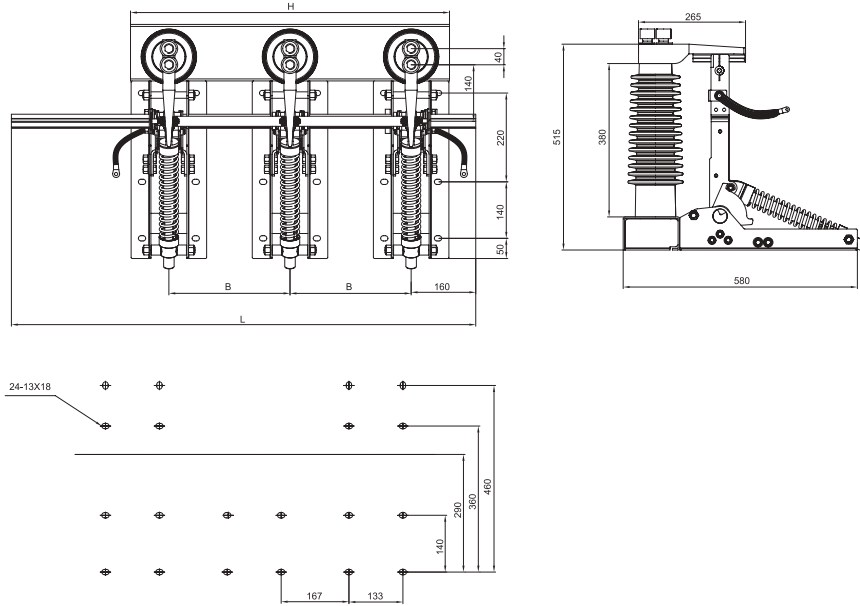
Model and meaning:

J N 22- 40.5 / 31.5 - □



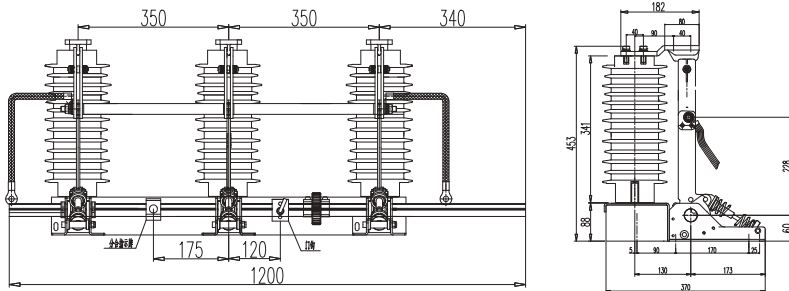
Ambient condition:

1. Altitude: $\leq 1000\text{m}$
2. Ambient temperature: $-10^{\circ}\text{C} \sim +40^{\circ}\text{C}$
3. Earthquake intensity: ≤ 8 degree
4. No flood, no explosion risk, no heavy dust and shake.

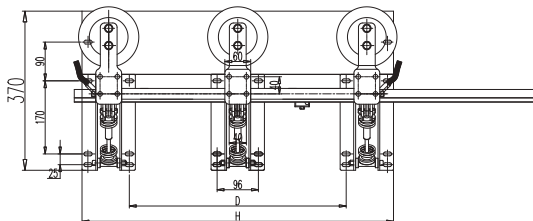


B	H	L
280	750	1180
300	790	1180
350	890	1280
400	990	1374

Product No.:LYE107 Name:JN22B-40.5/D31.5 motor type earthing switch



Product Model	E	G	D	H	L
JN22B-40.5/D31.5-280	280	410	464	684	1050
JN22B-40.5/D31.5-300	300	390	504	724	1100
JN22B-40.5/D31.5-350	350	340	604	824	1200
JN22B-40.5/D31.5-360	360	330	624	844	1200



ITEM	UNIT	DATA		
Rated voltage	kV	40.5		
Rated short-time withstand current	kA	31.5		
Rated short-circuit making current	kA	80		
Rated peak withstand current	kA	80		
Phase distance	mm	300,350,400		
Rated insulation level	power frequency withstand voltage (1 min)	kV	Pole to earth and phase to phase	95
	lightning impulse withstand voltage (BIL)			185

SHOW PRODUCT

Auxiliary switch series



F10 AUXILIARY SWITCH SERIES



Model No.:F10-12 Name:Auxiliary switch

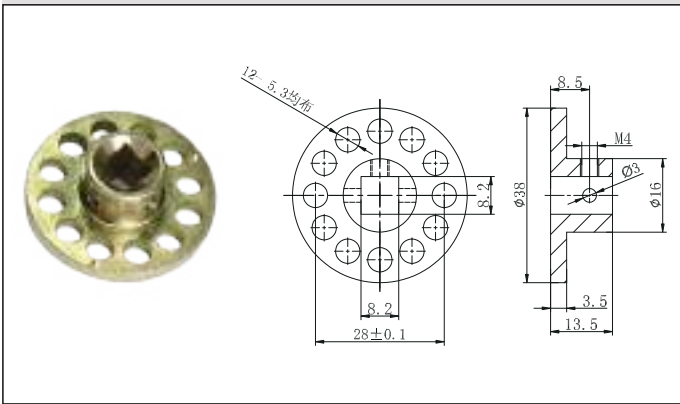
Normally open & normally closed	2	3	4	6	8
Baffle number	3	4	5	7	9
L1(mm)	75	82	89	103	117

Model No.:F10-16 Name:Auxiliary switch

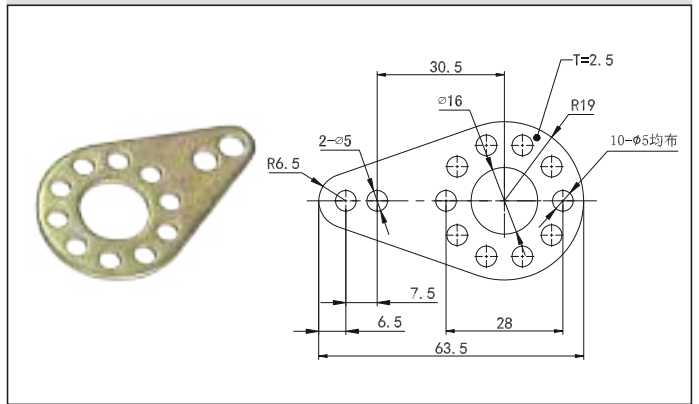
Normally open & normally closed	2	3	4	5	6	7	8	9	10	11
Baffle number	3	4	5	6	7	8	9	10	11	12
L1(mm)	89	96	103	110	117	124	131	138	145	152

F10 AUXILIARY SWITCH ACCESSORIES

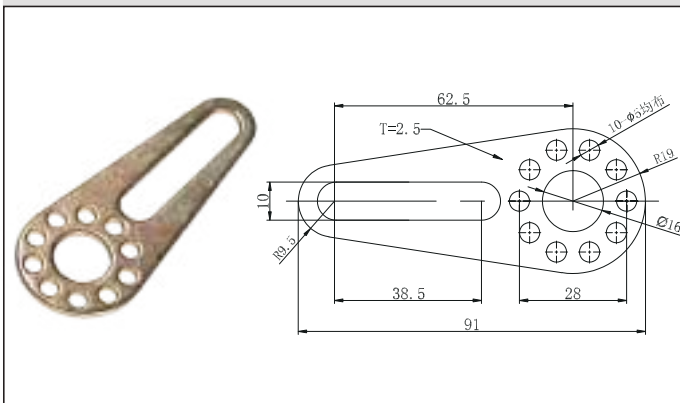
Name:Faceplate (conventional)



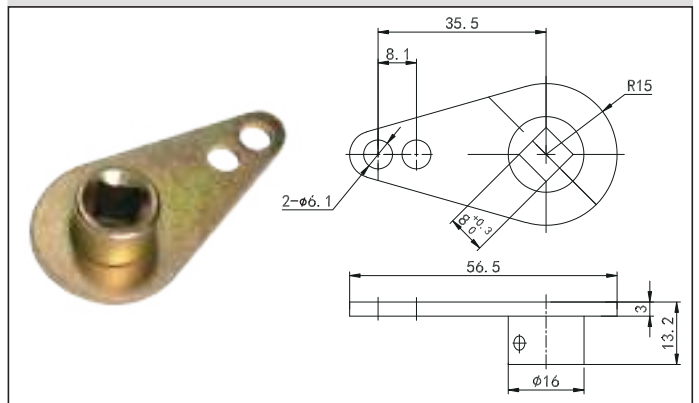
Name:Short arm (conventional)



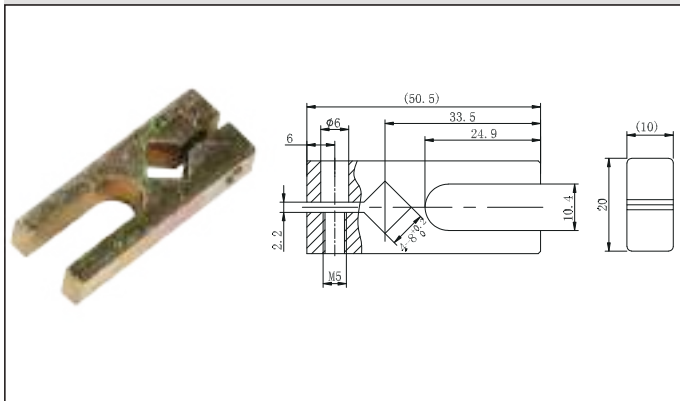
Name:Long arm



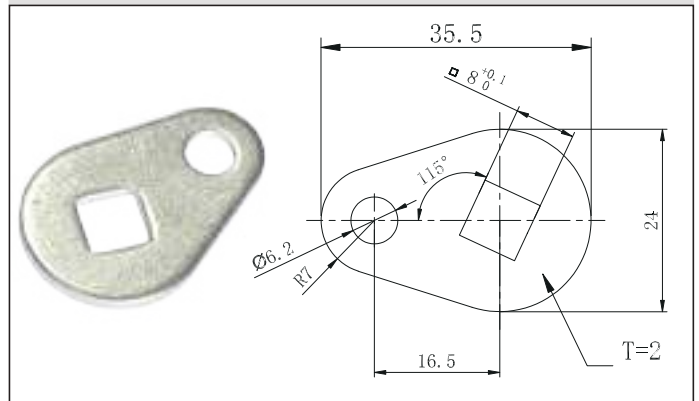
Name:Short arm

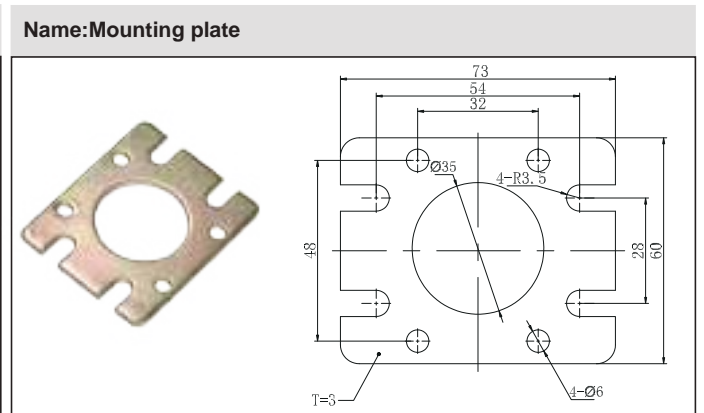
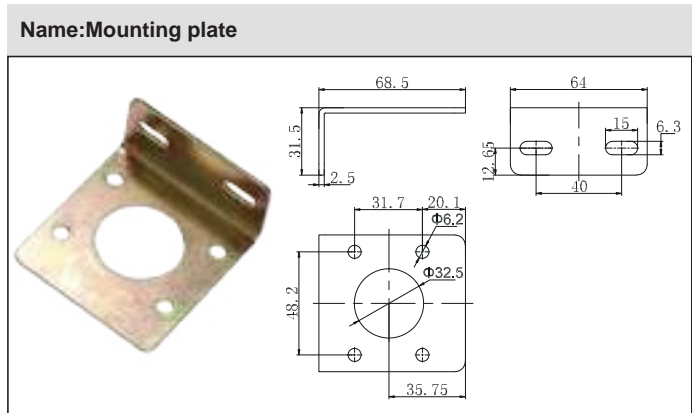
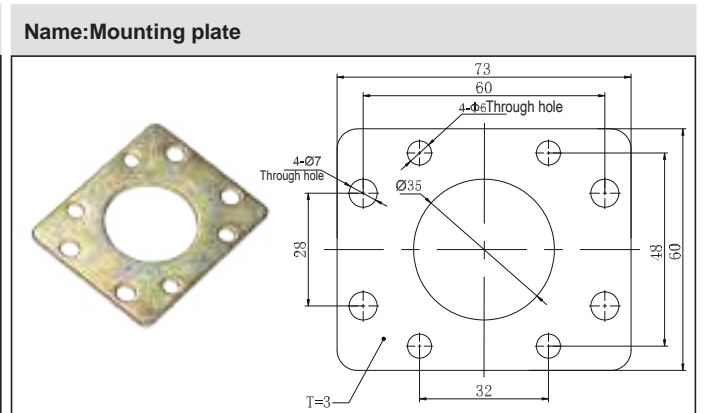
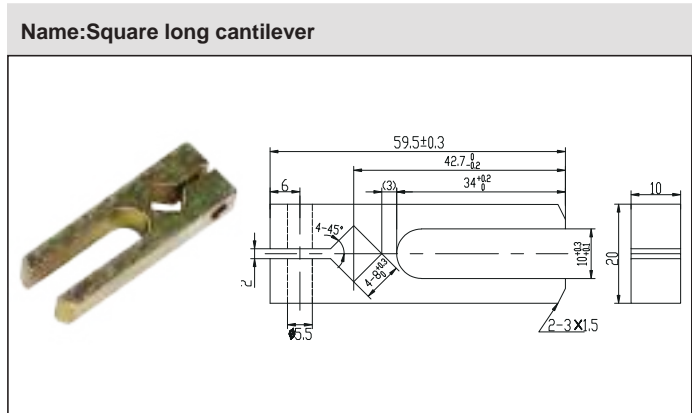


Name:Square short cantilever



Name:Short square arm





RCSK-1 MAGNETIC SWITCH SERIES

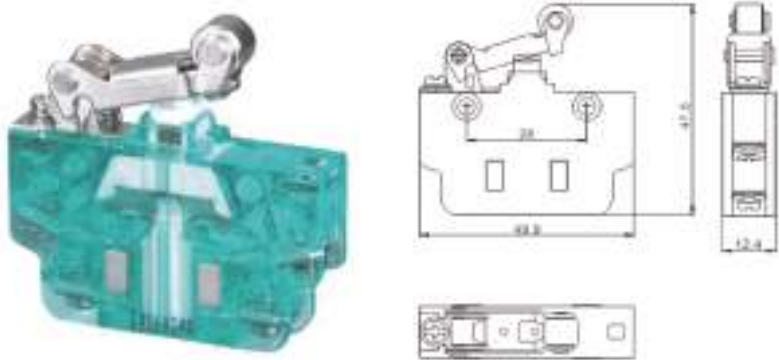
Brief Introduction

- RCSK-1 series Magnetic Switch is a nationalize product made according to the technical of Germany Schaltbau. This switch is used to control all kind of high voltage switch operating instruction's switch closing and making , lock and unlocked,signal return and second return. This switch is made up of shell, actuator, mounting, contact areas and terminals.
RCSK-1 Series Magnetic Switch is widely used in AC control circuit of 50 Hz,with a volatge up to 380V and a rated current 8A or in DC control circuits with a voltage up to 220V and rated current DC-5A.

Characteristic

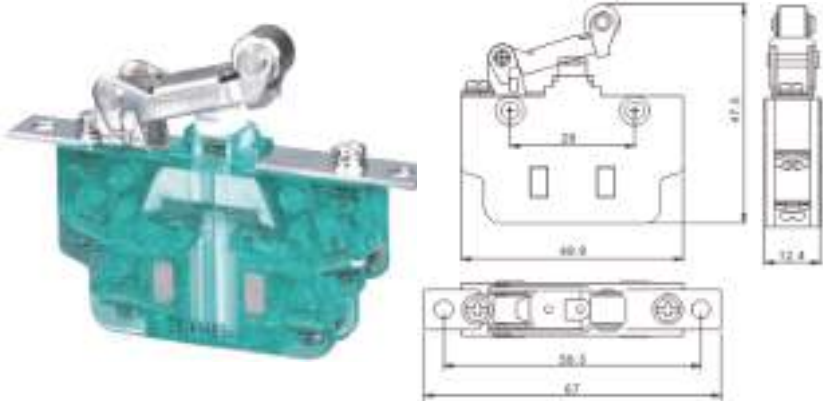
- The inner of switch has a one block instant move structure, it is valid, blowout few,flexible operating,slight,the contacts are made of silver-base Alloy, and itself is made of high queliy project plastic, which is a wide range of contacts,easy to rediate. The material of shell is made of PC. it has a high mechanical strength, good in heat-resistant , cold-resistant , anti-aging and good in electrical features.

Model No.:RCSK-1-11



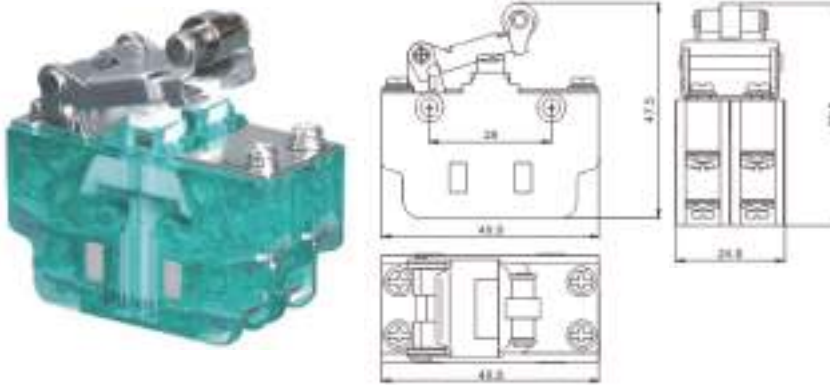
Rated voltage	Rated current	Heat distortion temperature		Insulation resistance
DC 250V	5A	≤120 C		≥100MΩ
Withstand voltage	Initial contact resistance	OF	RF	PT
		AC 1500V	≤50mV	≥600g
Mechanical life		Electric life		Terminal resistance
100,000 times		5,0000 times		1.2N

Model No.:RCSK-1-11W



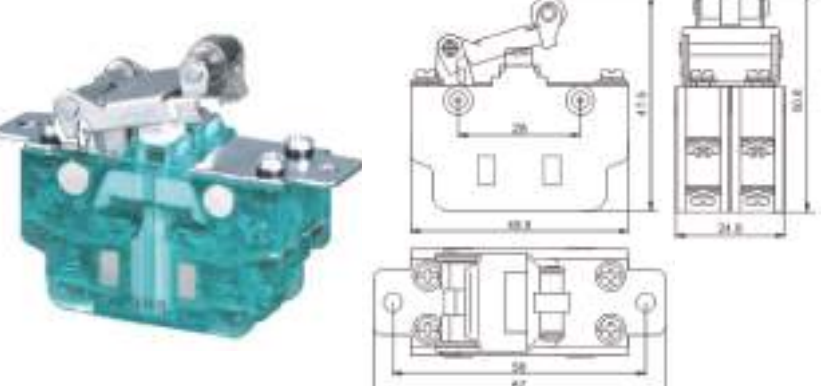
Rated voltage	Rated current	Heat distortion temperature		Insulation resistance
DC 250V	5A	≤120 C		≥100MΩ
Withstand voltage	Initial contact resistance	OF	RF	PT
		AC 1500V	≤50mV	≥600g
Mechanical life		Electric life		Terminal resistance
100,000 times		5,0000 times		1.2N

Model No.:RCSK-1-22



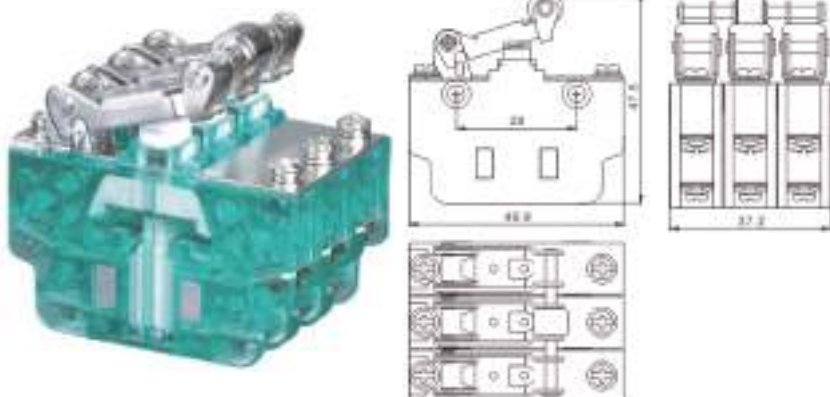
Rated voltage	Rated current	Heat distortion temperature		Insulation resistance
DC 250V	5A	≤120 C		≥100MΩ
Withstand voltage	Initial contact resistance	OF	RF	PT
		AC 1500V	≤50mV	≥600g
Mechanical life		Electric life		Terminal resistance
100,000 times		5,000 times		1.2N

Model No.:RCSK-1-22W



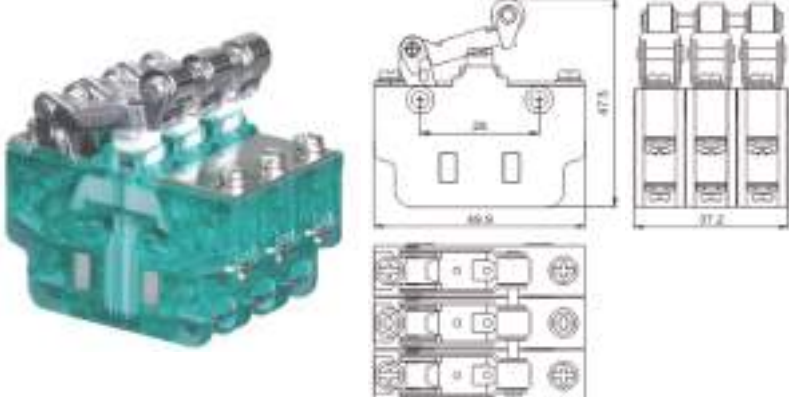
Rated voltage	Rated current	Heat distortion temperature		Insulation resistance
DC 250V	5A	≤120 C		≥100MΩ
Withstand voltage	Initial contact resistance	OF	RF	PT
		AC 1500V	≤50mV	≥600g
Mechanical life		Electric life		Terminal resistance
100,000 times		5,000 times		1.2N

Model No.:RCSK-1-33(single wheel)



Rated voltage	Rated current	Heat distortion temperature		Insulation resistance
DC 250V	5A	≤120 C		≥100MΩ
Withstand voltage	Initial contact resistance	OF	RF	PT
		AC 1500V	≤50mV	≥600g
Mechanical life		Electric life		Terminal resistance
100,000 times		5,000 times		1.2N

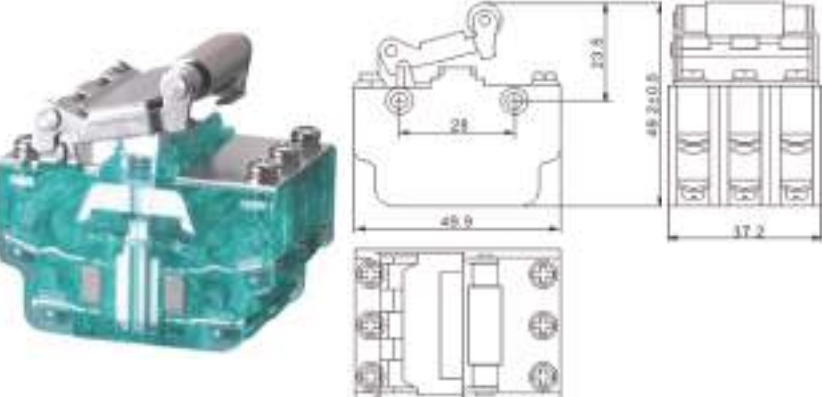
Model No.:RCSK-1-33(Three wheels)



Technical drawings for Model No.:RCSK-1-33(Three wheels) showing a perspective view, a top view with dimensions (46.9mm width, 47.5mm height), a side view with dimensions (37.2mm width, 46.2±0.5mm height), and a bottom view.

Rated voltage	Rated current	Heat distortion temperature		Insulation resistance
DC 250V	5A	≤120 C		≥100MΩ
Withstand voltage	Initial contact resistance	OF	RF	PT
		AC 1500V	≤50mV	≥600g
Mechanical life		Electric life		Terminal resistance
100,000 times		5,000 times		1.2N

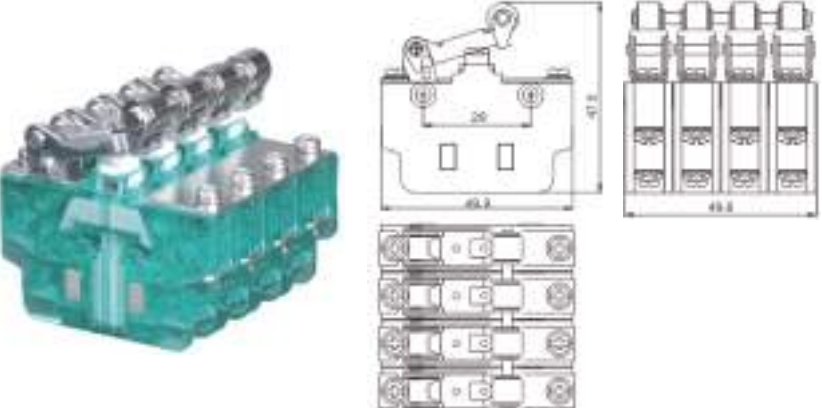
Model No.:RCSK-1-33(Full wide wheel)



Technical drawings for Model No.:RCSK-1-33(Full wide wheel) showing a perspective view, a top view with dimensions (46.9mm width, 33.5mm height), a side view with dimensions (37.2mm width, 46.2±0.5mm height), and a bottom view.

Rated voltage	Rated current	Heat distortion temperature		Insulation resistance
DC 220V	5A	≤120 C		≥100MΩ
Withstand voltage	Initial contact resistance	OF	RF	PT
		AC 1500V	≤50mV	≥600g
Mechanical life		Electric life		Terminal resistance
100,000 times		5,000 times		0.8N-1.2N

Model No.:RCSK-1-44



Technical drawings for Model No.:RCSK-1-44 showing a perspective view, a top view with dimensions (46.9mm width, 47.5mm height), a side view with dimensions (49.8mm width, 46.2±0.5mm height), and a bottom view.

Rated voltage	Rated current	Heat distortion temperature		Insulation resistance
DC 250V	5A	≤120 C		≥100MΩ
Withstand voltage	Initial contact resistance	OF	RF	PT
		AC 1500V	≤50mV	≥600g
Mechanical life		Electric life		Terminal resistance
100,000 times		5,000 times		1.2N

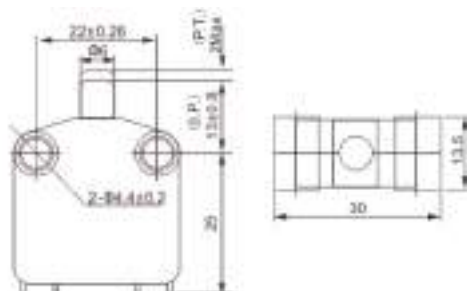
RLXW20 LIMITED SWITCH /MICRO SWITCH SERIES



RLXW20-11



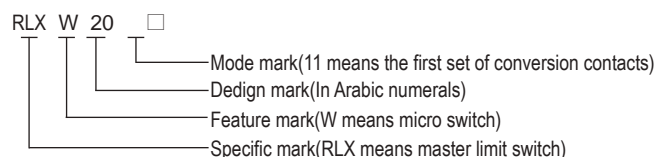
RLXW20-11M



Characteristic

- The inner of switch has a one block instant move structure,the contacts are made of silver-base Alloy ,and itself is made of high quality project plastic,which is good in inflaming retarding,heat-resistant,stranger,long usage,terminal is pulled-in (AMP2506.3X0.8)

Model Designations



Brief Introduction

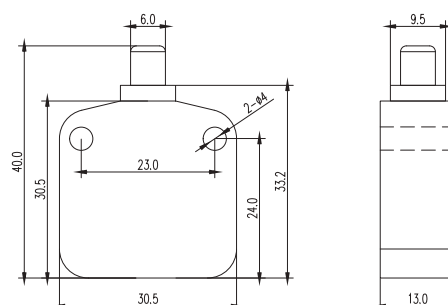
- RLXW 20 Micro Switch is our latest designed product,can be replace of the same kind form aborad.The contact is in high reliability,high sensitivity,long life,nice apperance,and its quality technical standard has reached at the same kind level of aborad products.
- RLXW 20 Micro Switch push button is widely used in AC control circuit of 50Hz,with a voltage up to 380V and a rated current 16A or rated current AC-12,or in DC control circuits with a voltage up to 250V and rated current DC-125A.When the contacts work together,we suggest to be linked to the same Control load.It is widely used in the such circuit like appliance, automatic,electronic and etc, such as magnetic AC electric magnetic or inductive load capacity control.

CSK20-11



1No+1Nc, CSK20-11

Work voltage:
AC380V 16A
DC250V 5A



RV MICRO SWITCH SERIES

Size Unit :mm



Button type

Installation hole dimension(mm)

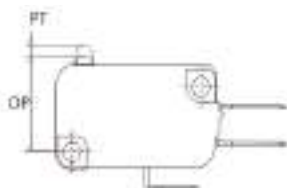
2-3.1 installation hole or M3 screw hole



Characteristic

1、 High precision of action seat

△Action seat (OP)14.7±0.4mm,pre-travel(PT)max, is 1.2mm (button type as example value)



2、 High shock resistance

△Shock resistance Max.1000/s2;
△We had designed in preventing metal parts release when meeting strong shock.

3、 High heat-resiatant

△Max temperature:T105 C
△Can order the switch's temperature under in T150 C

4、 High Strength shell

△The plastic shell can stand 6KGF.CM torque when installing

5、 Certificate:CCC、 CE

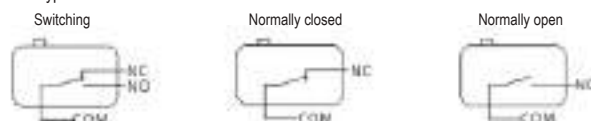
6、 Meet the RoHS directive

7、 Rich in types and all kinds are available

△Rich in current types rank from 1A to 21A (silver contact,Ag alloy contact and silver plated by gold contact)

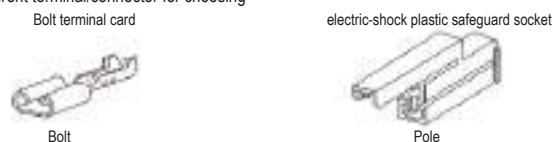
△Many kinds of drive types according to different design in limit and action power,can be made according to customer's special requirement.

△Contact Type

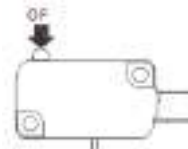


△Many kinds of wiring ways bcz of all specifications of terminal(see attached chart 1 :terminal's types and specification)

△Different terminal/connector for choosing



△Many kinds of action pressure (OF)for choosing and also can making according to customer's require the operating force range.

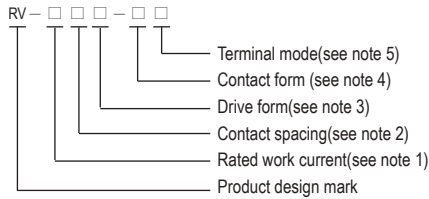


Drive Type	button type	Short lever type	Lever type	Long lever type	Curved lever type	Short roller lever type	Roller lever type
Schematic diagram							

Terminal's type and specification(attached chart 1)

Terminal Types	#4.8 weld/bolt common terminal	4.8 weld terminal	6.3 bolt terminal	screw fix terminal
Under terminal	3-4.8 weld/bolt terminal	3-4.8 weld/bolt terminal	3-4.8 weld/bolt terminal	3-M x 0.5x3 round screw+gasket
Terminal part dimension	3-4.8 weld/bolt terminal	3-4.8 weld/bolt terminal	3-4.8 weld/bolt terminal	Weld the end son 3-φ2.35 terminal hole
Horizontal terminal	φ1.6 terminal hole	φ1.6 terminal hole	φ1.65 terminal hole	

Model description



Note1:Rated work current
 21:21A
 16:16A
 11:11A
 5:5A

Note2:Contact spacing
 No indicated:1mm(spacing)

Note3:Drive form
 No indicated:button type
 1:short lever type
 2:lever type
 3:long lever type
 4:curved lever type
 5:short roller lever type
 6:roller lever type
 5s:metal short roller lever type
 6s:metal roller lever type

Note4:Contact Type
 1:COM Under terminal change
 2:COM Under terminal close(NC)
 3:COM Under terminal optn(NO)
 4:COM Horizontal terminal change
 5:COM Horizontal terminal close(NC)
 6:COM Horizontal terminal optn(NO)

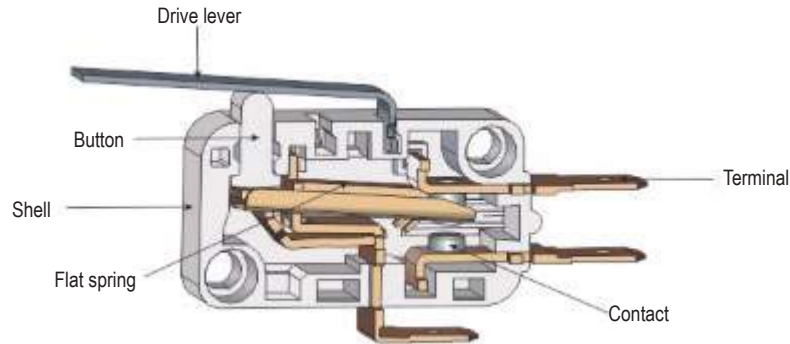
Note5:Terminal Specification
 A:Weld/bolt common #4.8 terminal (inch #187)
 C2:bolt #4.8 terminal (inch #187)
 C:bolt common #6.3 terminal (inch #187)
 B:Screw fixed terminal
 E:Weld terminal

Rated value and performance

Item	Type	RV-21 RV-16 RV-11	RV-3
Operation speed		0.1mm-1m/s(button type)	
Action frequency		Mechanical:600 operations/min	Electrical:30 operations/min
Insulation resistance		100mΩ min.(teated by 500VDC insulation ohmer)	
Contact resistance (initial value)		15mΩ Max.	30mΩ Max.
Voltage-withstanding	Non-connected and terminal	AC1,000V 50/60Hz 1min	
	Non-voltage metal part and terminal	AC2,000V 50/60Hz 1min	
	Ground and terminal		
Vibration(button type)	False action	10-55HZ,1.5mm double amplitude	
Shock (button type)		OF 0.49N type:under 98m/s	OF 1.96N type,3.92N type:under 294m/s
		OF 0.98N type:under 196m/s (contact left is under 1ms)	
Life	Mechanical	10,000,000 operations min	
	Electrical	100,000 operations min	300,000 operations min
Ambient temperature and humidity		-25 C ~+80 C (without frozen and dew),under 85%RH (about +5~35 C)	
Contact material		AgNi alloy;AgCdO alloy (disobey the RoHS directive)	
Weight		About 6.2g(button type)	

Note:When does the switch work in low speed,high speed ,shock or high temperature and heavy humidity,the life of switch will down bcz the loading.This picture just for customer's references,please inquiry for details when ordering.

Product structure



Product Pictures



Note: The display pictures and model as example by 16A current, 4.8 bolt terminal and 1.96N pressure specification. The shape of 21A, 11A and 3A switch is different. Please explain the current specification, operation pressure and so on. The picture is just for customer's reference, please inquire for details when ordering.

RLXW24 WATERPROOF MICRO SWITCH SERIES

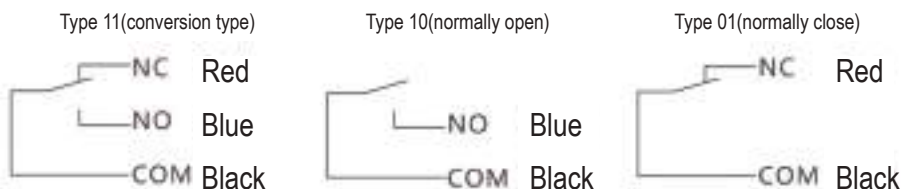


Characteristics and Application	Model Designations
<ul style="list-style-type: none"> • sensitive motion, high precision, longer life • contact material: Bilon/Sliver base point to meet different electrical load. • Use better protection Shell, Sheath lead line connection mode, and offer different size wire for you to choose form • Provide various Drive form to meet with the different places for uses • Applicable to the control circuit under 250VAC/250VDC, as control electrical equipment or as fitting • widely use in domesti appliance, car industry, electronic and mechniry industries, automation application industry etc. 	<p>RLX W 24 - □ □</p> <ul style="list-style-type: none"> — Drive lever type: none mean Plunger lever; A mean short roller lever; B represents a lever with a short roller, C mean Longer lever, it also can customized — Regular model code: 11 mean within one group conversion contact, 10 mean within one group normally open contact, 01 mean within one group normally close contact — Design mark — own technical character of micro switch — Product design mark (RLX mean Control limited switch)

Rated value and performance

Item No.	Rate		
Use categories	AC-12	DC-12	
Rated insulation Voltage	250V		
Conventional thermal current	15A		
Rated work Voltage	250A	250V	
Rated work Curent	10A	0.3A	
Contact resisitance	≤30mΩ not include line resistance		
Techinal propertues	between live element and easily contact surface	AC1500V±3%45-65Hz 5s	
	Electrically lie parts and ground	AC1500V±3%45-65Hz 5s	
Mechanical Life	≥300,000 Times on-off per min		
Electrical Life	≥100,000 Times on-off per min		
Ambient temperature during use	-5 C ~40 C		
IP	IP65		

Contact form



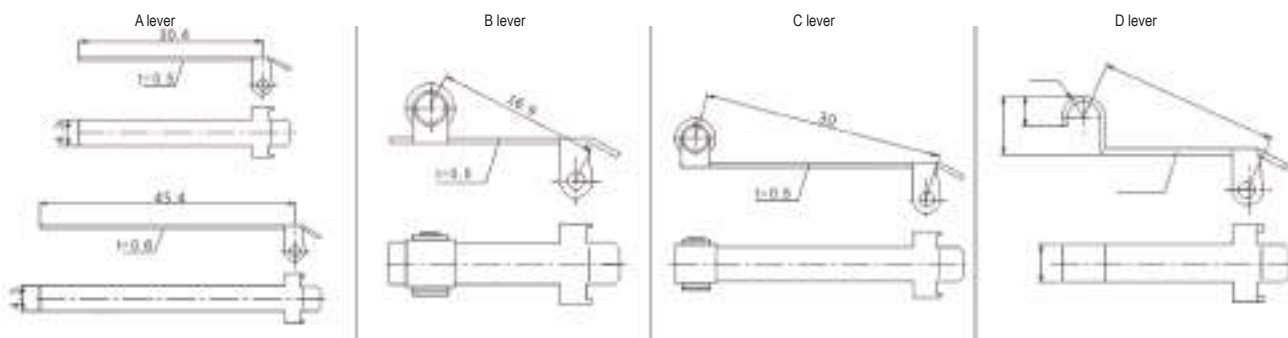
Wire gauge

• Imperial Standard Wire Gauge (ISWG)

- 1) 277IEC06(RV)32/0.2 1mm² for three color:red,blue,black
- 2) ZR/DW-RE 30/0.20 1mm² (LSOH)for three color:red,blue,black
- 3) RVVP- 3C16/0.15 for three color:blown,gray,black
- 4) it can be customized

Wire Length:
 1) the length of ISWG is 300mm;
 2) it can be customized;
 please contact us for further requirement

Lever



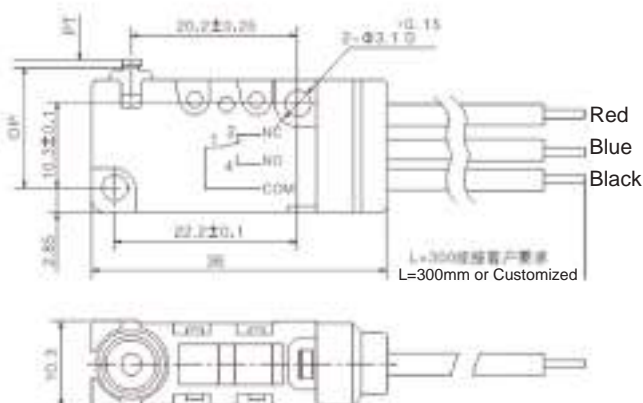
Instruction

1. All switch passed the Waterproof test, which is under water for a period time to conform the influent degree, rather than do on-off action in water.
2. Don't damage the seal rubber of the button during uses.
3. Please read this page carefully before using, and find dos & dos'ts in the following description for your kind reference.

Mounting

M3 screws, flat washer, spring washer are used to tighten at the time of assembly, meanwhile, please use 0.39-0.59 Nm fastening torque for install. Insulation distance. Please use the partition if it don't meet the insulation distance of fitting as required.

Dimension Drawing & Technical Parameter



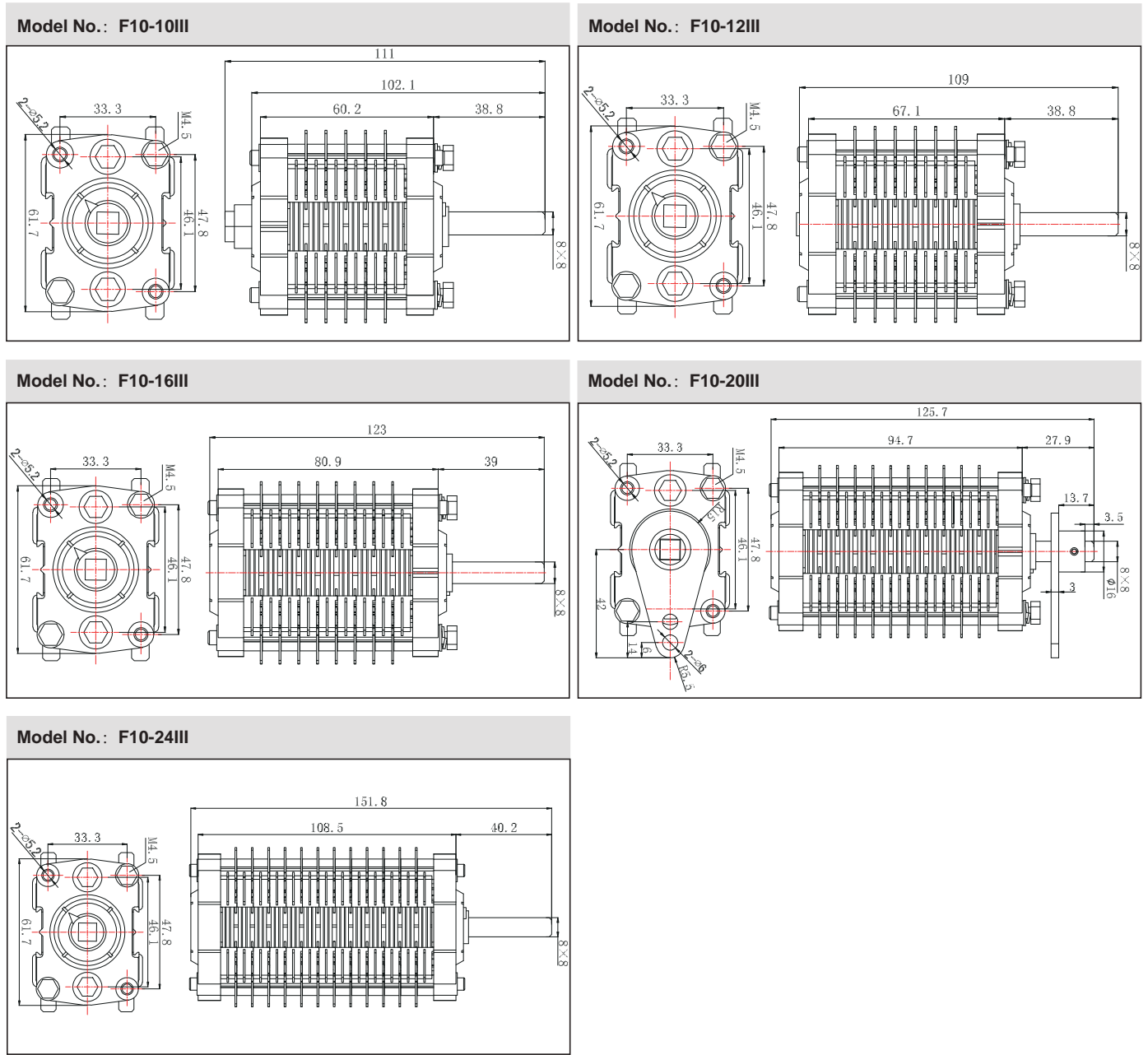
Specification	Model No.	RLXW24-□
Action Pressure OF:(N)		≤ 2.5
Release force RF:(N)		≥ 0.5
Pre-travel PT:(mm)		0.7-1.5
Movement differential MD:(mm)		≤ 0.5
Actopn seat OP:(mm)		14.7±0.4
Over travel OT:(mm)		≥ 0.5

Specification	Model No.	RLXW24-□A
Axion Pressure OF:(N)		≤ 1.25
Release force RF:(N)		≥ 0.14
Pre-travel PT:(mm)		≤ 4
Movement differential MD:(mm)		≤ 1.5
Actopn seat OP:(mm)		15.2±1.2
Over travel OT:(mm)		≥ 1.6

Specification	Model No.	RLXW24-□B
Axion Pressure OF:(N)		≤ 2.5
Release force RF:(N)		≥ 0.2
Pre-travel PT:(mm)		≤ 1.6
Movement differential MD:(mm)		≤ 0.6
Actopn seat OP:(mm)		20.7±0.6
Over travel OT:(mm)		≥ 0.8

Specification	Model No.	RLXW24-□C
Axion Pressure OF:(N)		≤ 1.25
Release force RF:(N)		≥ 0.15
Pre-travel PT:(mm)		≤ 4
Movement differential MD:(mm)		≤ 1.5
Actopn seat OP:(mm)		20.2±1.6
Over travel OT:(mm)		≥ 1.6

Specification	Model No.	RLXW24-□D
Axion Pressure OF:(N)		≤ 2.5
Release force RF:(N)		≥ 0.2
Pre-travel PT:(mm)		≤ 1.6
Movement differential MD:(mm)		≤ 0.6
Actopn seat OP:(mm)		20.7±0.6
Over travel OT:(mm)		≥ 0.8



We are looking forward to hearing from you.

Add: Room 1801, Building 2,3,4, Headquarters Economy Park, No.6688, Xuyang Road,
Chengdong Street, Yueqing City, 325600, Zhejiang Province, China
Email: sales@liyond.com, glenliu@elecspare.com
Tel: 86-0577-62379399
Fax: 86-0577-62379396(608)



LIYOND

Yueqing Liyond Electric Co.,Ltd

VERSION

20 / 20

