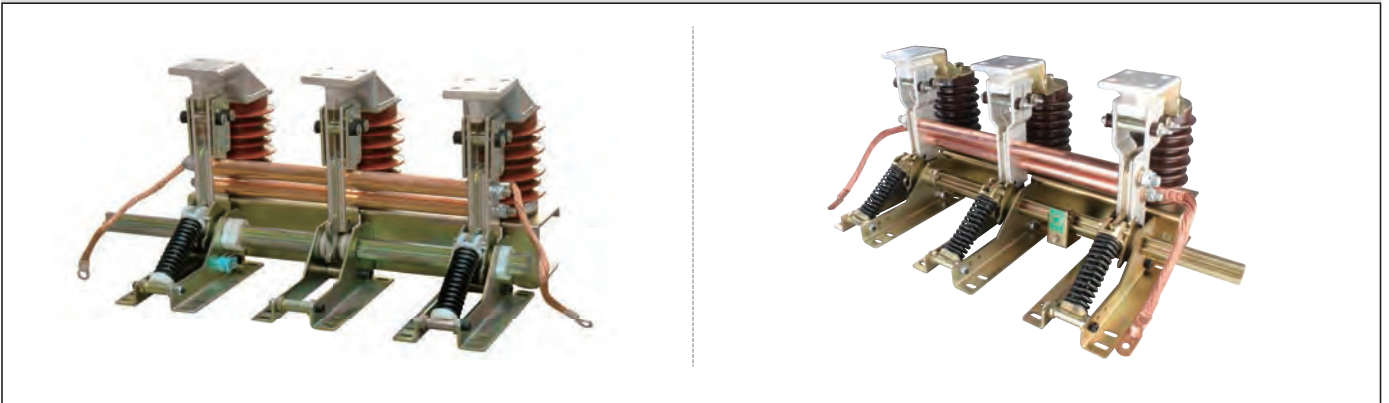


12KV EARTHING SWITCH SERIES

Product No.:LYE103 Name:JN17-12/40 Indoor AC high voltage earthing switch



Summary:

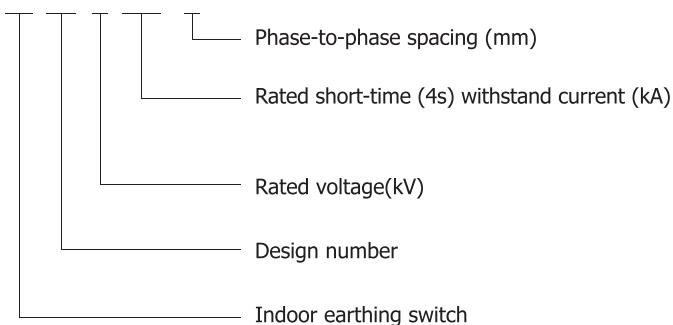
JN17-12/40 indoor AC high voltage earthing switch is an advanced level product with high-tech parameters performance. After comprehensive evaluation, it conforms to GB1985 and IEC129 standard, applies to power system of 3-12kV and three-phase AC 50Hz. It owns short-circuit making capacity to protect other electric equipment not being damaged. Can be used with various high voltage switchgear, also play a protective role in the high-voltage electrical equipment overhaul.

Technical Parameter:

Item	Unit	Data		
Rated voltage	kV	12		
Rated short-time withstand current	kA	40		
Rated short-circuit duration	s	4		
Rated short-circuit making current	kA	80		
Rated peak withstand current	kA	80		
Rated insulation level	PF withstand voltage (1 min)	kV	Phase to earth	42
	Lightning impulse withstand voltage		Phase to phase	75
Mechanical endurance	Time	2000		

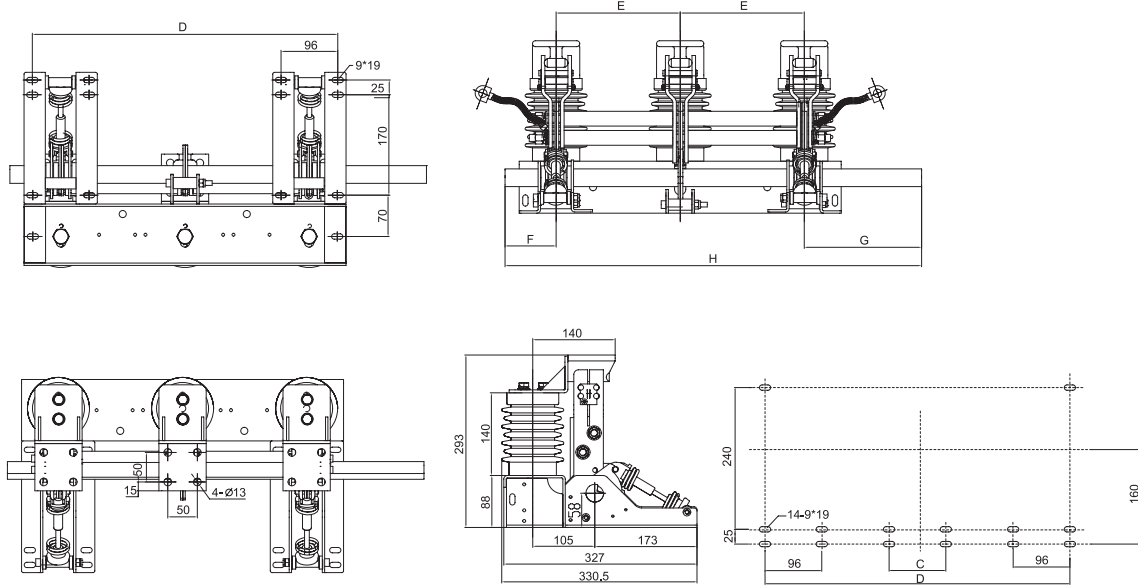
Model and meaning:

J N 17 -12 / 40 - □



Ambient condition:

1. Altitude: ≤1000m
2. Ambient temperature: -10°C ~ +40°C
3. Earthquake intensity: ≤8 degree
4. Pollution level: II
5. Relative humidity: Daily average ≤95%, Monthly average ≤90%



Product Model	E	F	G	H	D
JN17-12/40-210	210	50	185	655	516
JN17-12/40-220	220	50	185	675	536
JN17-12/40-230	230	50	185	695	556
JN17-12/40-250	250	50	185	735	596
JN17-12/40-275	275	50	210	810	646